

**PLEASE CHECK WWW.MOLEX.COM FOR LATEST PART INFORMATION**

**Part Number:** [0760900001](#)  
**Status:** **Active**  
**Overview:** [sfp\\_stacked\\_multiport\\_connectors](#)  
**Description:** Small Form-factor Pluggable Plus (SFP+) Stacked 2-by-1 Multi-Port Connector with 4 Lightpipe Ports, Elastomeric Gasket, 40 Circuits, Tin (Sn)/Lead(Pb) Tails

**Documents:**

<a href="#">Drawing (PDF)</a>	<a href="#">Test Summary (PDF)</a>
<a href="#">3D Model</a>	<a href="#">Product Specification PS-75310-001 (PDF)</a>
<a href="#">Application Specification (PDF)</a>	<a href="#">RoHS Certificate of Compliance (PDF)</a>

**Agency Certification**

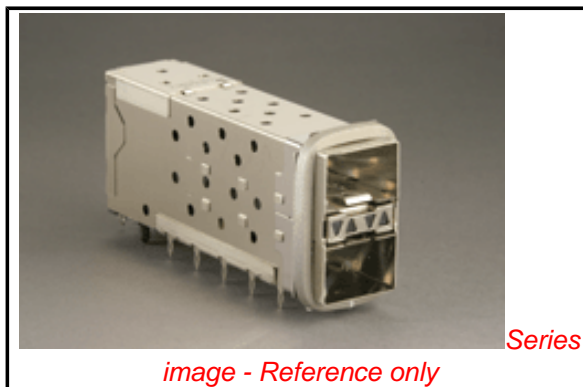
CSA	LR19980
UL	E29179

**General**

Product Family	I/O Connectors
Series	<a href="#">76090</a>
Application	Module-to-Board
Component Type	Receptacle
Overview	<a href="#">sfp_stacked_multiport_connectors</a>
Product Name	SFP Plus
Type	N/A

**Physical**

Boot Color	N/A
Circuits (Loaded)	40
Circuits (maximum)	40
Circuits Detail	40
Durability (mating cycles max)	100
Flammability	94V-0
Gender	Female
Keying to Mating Part	None
Lock to Mating Part	Yes
Material - Plating Mating	Gold
Number of Rows	2
Orientation	Right Angle
PC Tail Length (in)	0.081 In
PC Tail Length (mm)	2.07 mm
PCB Locator	Yes
PCB Retention	Yes
PCB Thickness Recommended (in)	0.062 In
PCB Thickness Recommended (mm)	1.57 mm
Packaging Type	Tray
Panel Mount	No
Pitch - Mating Interface (in)	0.031 In
Pitch - Mating Interface (mm)	0.80 mm
Pitch - Term. Interface (in)	0.031 In
Pitch - Term. Interface (mm)	0.80 mm
Polarized to Mating Part	Yes
Polarized to PCB	Yes
Ports	2
Surface Mount Compatible (SMC)	No
Temperature Range - Operating	-40°C to +85°C
Termination Interface: Style	Through Hole - Compliant Pin
Waterproof / Dustproof	No



**EU RoHS**

**RoHS Compliant by Exemption**  
**REACH SVHC**  
 Not Reviewed  
**Halogen-Free**  
**Status**  
**Not Reviewed**

**China RoHS**



**Need more information on product environmental compliance?**

Email [productcompliance@molex.com](mailto:productcompliance@molex.com)  
 For a multiple part number RoHS Certificate of Compliance, [click here](#)

Please visit the [Contact Us](#) section for any non-product compliance questions.

**Search Parts in this Series**

[76090Series](#)

**Use With**

[0759510999 SFP Dust Plug,](#)

**Application Tooling | FAQ**

*Tooling specifications and manuals are found by selecting the products below. Crimp Height Specifications are then contained in the Application Tooling Specification document.*

**Global**

Description	Product #
SFP Insertion Tool, <a href="#">20622029910</a>	
x 1 Medium	
SFP Extraction Tool, <a href="#">0622029930</a>	
2 x 1 Medium	

**Electrical**

Current - Maximum per Contact	0.5A
Grounding to Panel	None
Shield Type	EMI Gasket
Shielded	Yes
Voltage - Maximum	120V AC (RMS)/DC

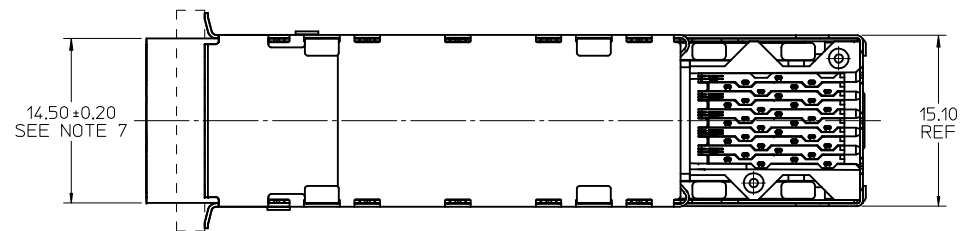
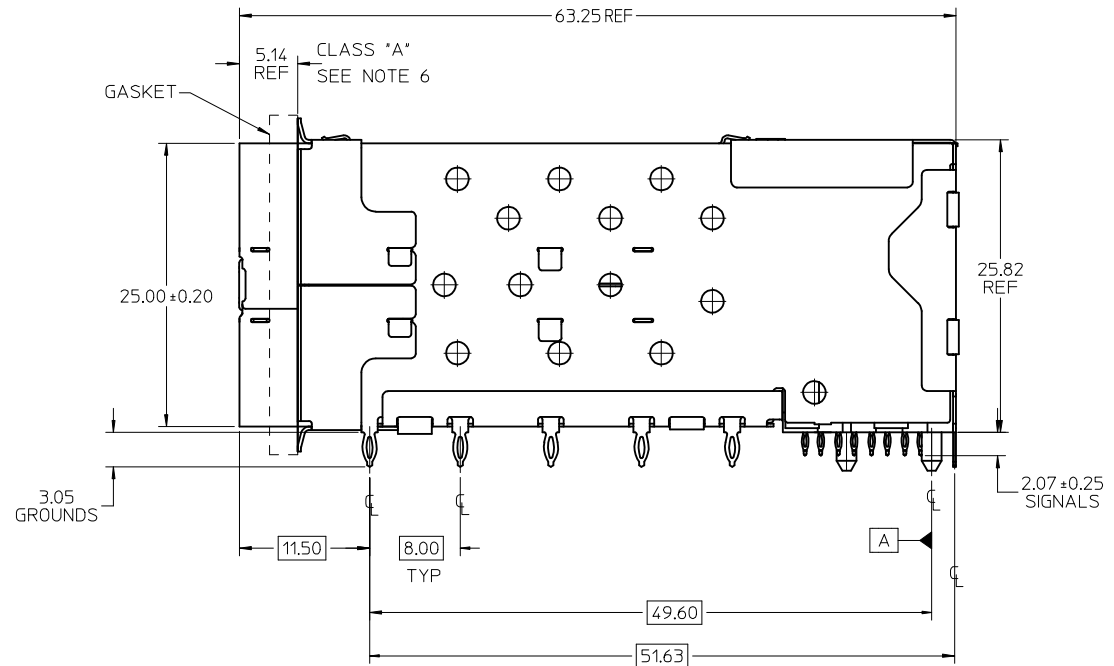
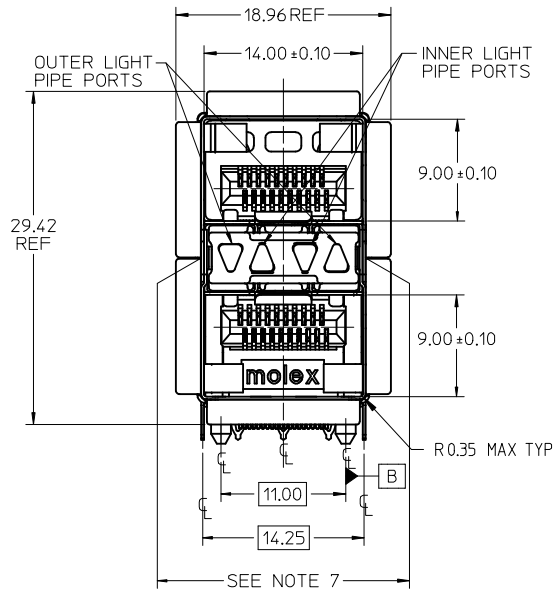
**Material Info****Reference - Drawing Numbers**

Application Specification	AS-76090-001
Packaging Specification	PK-75462-001
Product Specification	PS-75310-001
Sales Drawing	SD-76090-001
Test Summary	TS-75310-001

This document was generated on 05/27/2010

**PLEASE CHECK [WWW.MOLEX.COM](http://WWW.MOLEX.COM) FOR LATEST PART INFORMATION**

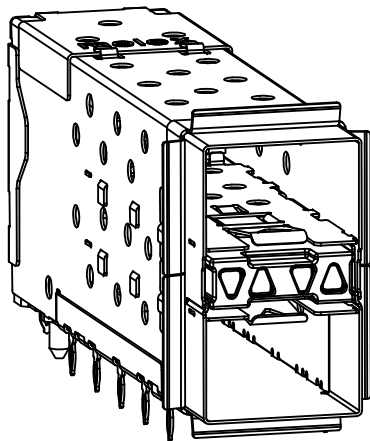
PART NUMBER	DESCRIPTION	VIEW	COMPLIANT TAIL PLATING
760900001	4 LIGHT PORTS	SEE PG 2	TIN / LEAD
760900002	INNER 2 PORTS	SEE PG 2	TIN / LEAD
760900003	OUTER 2 PORTS	SEE PG 2	TIN / LEAD
760905001	4 LIGHT PORTS	SEE PG 2	TIN
760905002	INNER 2 PORTS	SEE PG 2	TIN
760905003	OUTER 2 PORTS	SEE PG 2	TIN
760903002	INNER 2 PORTS	SEE PG 2	TIN / LEAD



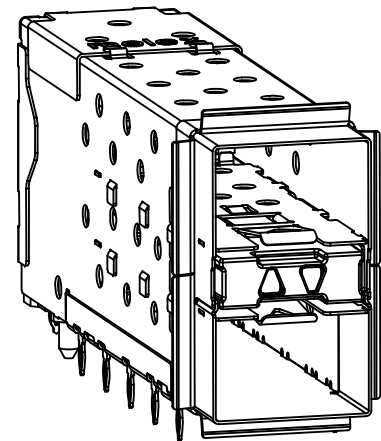
NOTES

- MATERIAL:
  - EMI GASKET: CONDUCTIVE POLYMER
  - CAGE: NICKEL SILVER, THICKNESS: 0.25mm
  - CAGE FLANGE: STAINLESS STEEL
  - CONNECTOR HOUSING: GLASS FILLED HIGH TEMP PLASTIC, COLOR: BLACK
  - OVERMOLDED TERMINAL HOUSING: GLASS FILLED HIGH TEMP PLASTIC, COLOR: BLACK
  - TERMINALS: BRASS
  - LIGHT PIPES: POLYCARBONITE, 94 V-0, CLEAR
  - LIGHT PIPE HOUSING: ZINC
- FINISH
  - LIGHT PIPE HOUSING: 150 MICRONS NICKEL OVER 150 MICRONS COPPER
  - TERMINALS: CONTACT AREA: 0.76 MICRONS MIN. HARD GOLD OVER 1.27 MICRONS MIN. NICKEL.
  - COMPLIANT TAIL - TIN/LEAD OPTION: 0.76 - 1.52 MICRONS 90/10 TIN/LEAD OVER 0.76 - 1.52 MICRONS NICKEL
  - COMPLIANT TAIL - TIN OPTION: 0.76 - 1.52 MICRONS TIN OVER 0.76 - 1.52 MICRONS NICKEL
- REFER TO PS-75310-001 PRODUCT SPEC FOR ALL ELECTRICAL, MECHANICAL, AND ENVIRONMENTAL SPECIFICATIONS.
- LIGHT PIPE PAD LAYOUT IS FOR 0805 LOW-PROFILE LED PACKAGE, FOR OTHER RECOMMENDED LAYOUTS REFER TO MOLEX'S REPORT TS-75310-001.
- REFER TO PK-75462-001 FOR ALL PACKAGING SPECIFICATIONS.
- ALL EXTERIOR SURFACES TO BE CLASS 'B' SURFACE EXCEPT THE UNDER SIDE OF THE CAGE WHERE THE PCB WOULD BE LOCATED AND AS NOTED. THE SURFACES TO CONFORM TO THE MOLEX COSMETIC DOC PS-45499-002.
- THE OVERALL CAGE WIDTH AT THE VERTICAL CENTER OF THE FRONT EDGE WILL FALL WITHIN THIS DIMENSION: 14.75 ± 0.30 MM. THIS PORTION OF THE CAGE WILL FLEX INWARD AS THE CAGE IS BEING INSERTED INTO THE BEZEL OPENING.

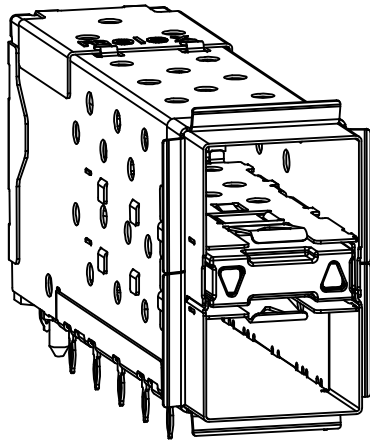
ADD 760903002	EC NO:	2009/08/28	QUALITY SYMBOLS ▽=0 ▽=0	GENERAL TOLERANCES (UNLESS SPECIFIED)	DIMENSION STYLE		SCALE	DESIGN UNITS	THIRD ANGLE PROJECTION
	DRWN:KACHLIC	2009/11/05			MM ONLY		3:1	METRIC	
	CHKD:	2009/11/05			mm	INCH	TITLE		
	APPR:MBANAKIS	2009/11/06					STACKED SFP+ 2X1 ASS'Y WITH ELASTOMERIC GASKET AND LIGHTPIPES		
REV	DESCRIPTION			DRAWN BY DATE		APPROVED BY DATE		MATERIAL NO. DOCUMENT NO.	
				J JANTELEZIO 01-18-2007		KREGNIER 01-18-2007			
				CHECKED BY DATE		MSANDBERG 01-18-2007			
				DRAFT WHERE APPLICABLE MUST REMAIN WITHIN DIMENSIONS		SEE TABLE		MOLEX INCORPORATED	
						SIZE		SHEET NO.	
						C		1 OF 4	
						THIS DRAWING CONTAINS INFORMATION THAT IS PROPRIETARY TO MOLEX INCORPORATED AND SHOULD NOT BE USED WITHOUT WRITTEN PERMISSION			



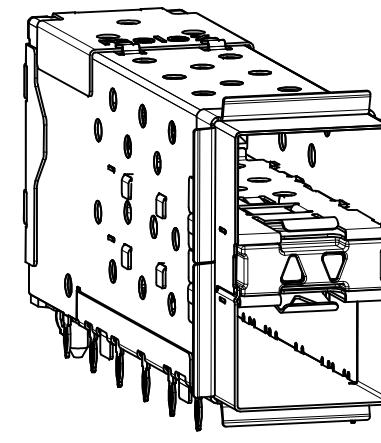
760900001 AND 760905001  
WITH INNER AND OUTER LIGHT PIPES



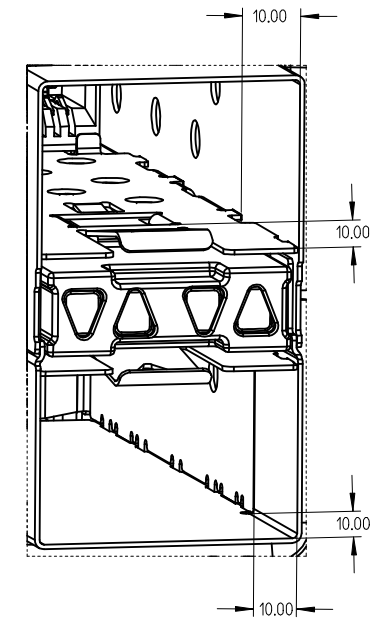
760900002 AND 760905002  
WITH INNER LIGHT PIPES



760900003 AND 760905003  
WITH OUTER LIGHT PIPES

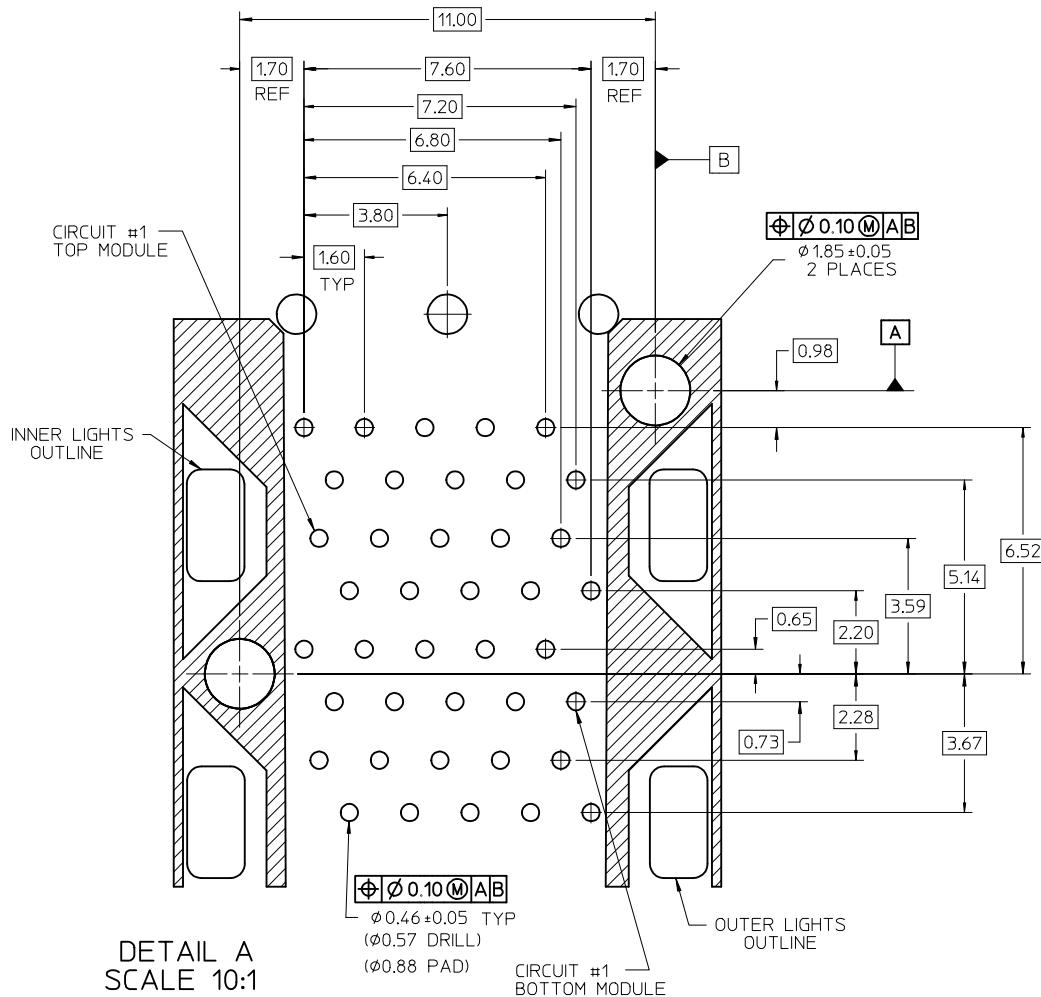


760903002  
WITH INNER LIGHT PIPES  
& ENHANCED EMI MID-SECTION

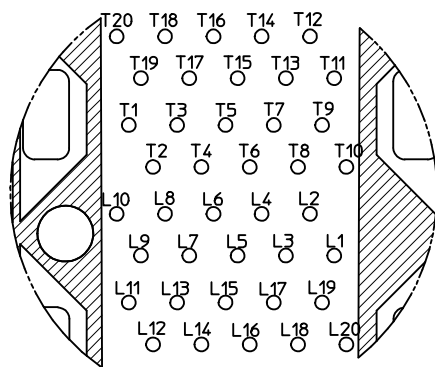


MODULE PORT DETAIL  
10.00mm AREA SETBACK IN CAGES IS TO BE FREE OF ANY HOLES, DIMPLES, SEAMS OR ANY OTHER FEATURES (4 SIDES PER MODULE PORT)

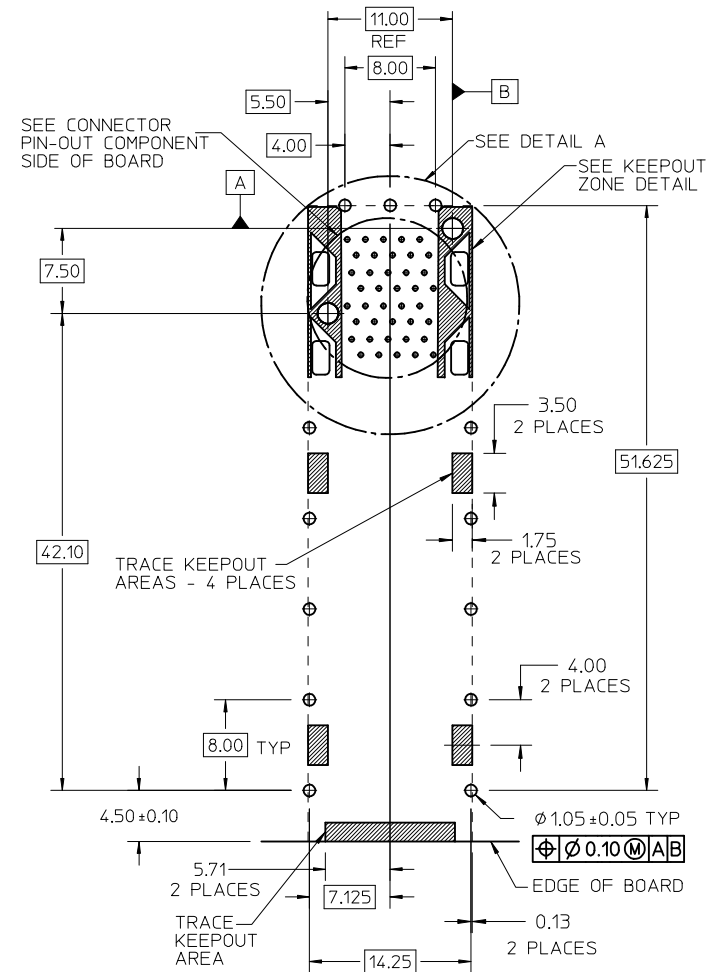
SEE SHEET 1 EC NO: 2009/08/28 TDRWN: KACHLIC 2009/11/05 CHKD: 2009/11/05 APPR: MBANAKIS 2009/11/06 (REV) DESCRIPTION	QUALITY SYMBOLS ▽=0 ▽=0	GENERAL TOLERANCES (UNLESS SPECIFIED) <table border="1"> <thead> <tr> <th></th> <th>mm</th> <th>INCH</th> </tr> </thead> <tbody> <tr> <td>4 PLACES</td> <td>± 0.13</td> <td>± 0.005</td> </tr> <tr> <td>3 PLACES</td> <td>± 0.25</td> <td>± 0.010</td> </tr> <tr> <td>2 PLACES</td> <td>± 0.38</td> <td>± 0.015</td> </tr> <tr> <td>1 PLACE</td> <td>± 0.51</td> <td>± 0.020</td> </tr> <tr> <td colspan="3">ANGULAR ± 5°</td> </tr> </tbody> </table>		mm	INCH	4 PLACES	± 0.13	± 0.005	3 PLACES	± 0.25	± 0.010	2 PLACES	± 0.38	± 0.015	1 PLACE	± 0.51	± 0.020	ANGULAR ± 5°			DIMENSION STYLE <b>MM ONLY</b> DRAWN BY DATE JJANTELEZ10 01-18-2007 CHECKED BY DATE MSANDBERG 01-18-2007 APPROVED BY DATE KREGNIER 01-18-2007 MATERIAL NO.	SCALE <b>3:1</b> DESIGN UNITS <b>METRIC</b> THIRD ANGLE PROJECTION	TITLE <b>STACKED SFP+ 2X1 ASS'Y WITH ELASTOMERIC GASKET AND LIGHTPIPES</b>
		mm	INCH																				
	4 PLACES	± 0.13	± 0.005																				
	3 PLACES	± 0.25	± 0.010																				
2 PLACES	± 0.38	± 0.015																					
1 PLACE	± 0.51	± 0.020																					
ANGULAR ± 5°																							
DRAFT WHERE APPLICABLE MUST REMAIN WITHIN DIMENSIONS	SEE TABLE	MOLEX INCORPORATED DOCUMENT NO. SD-76090-001	SHEET NO. 2 OF 4																				
THIS DRAWING CONTAINS INFORMATION THAT IS PROPRIETARY TO MOLEX INCORPORATED AND SHOULD NOT BE USED WITHOUT WRITTEN PERMISSION																							



DETAIL A  
SCALE 10:1



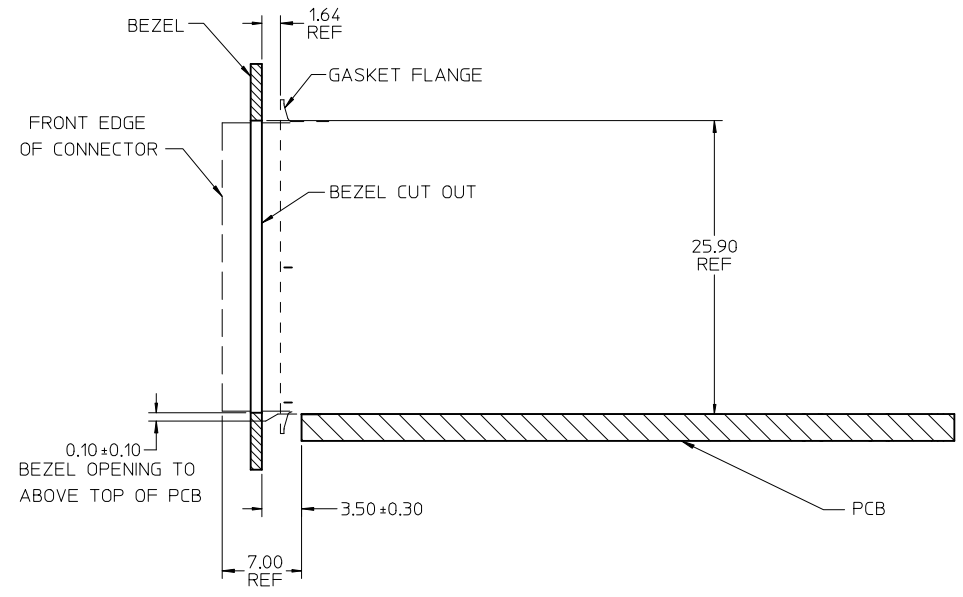
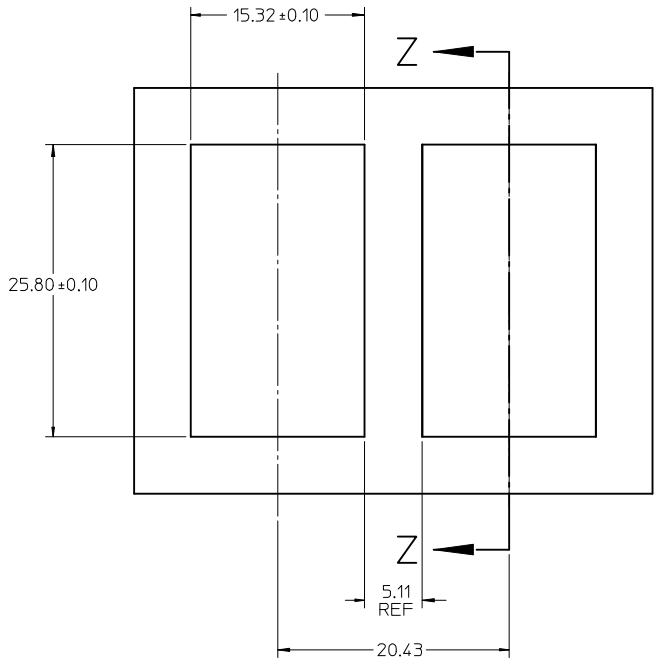
CONNECTOR PIN-OUT  
COMPONENT SIDE OF BOARD  
SCALE 10:1



RECOMMENDED PCB LAYOUT - COMPONENT SIDE  
RECOMMENDED PCB THICKNESS - 2.36 MM (.093 INCH)

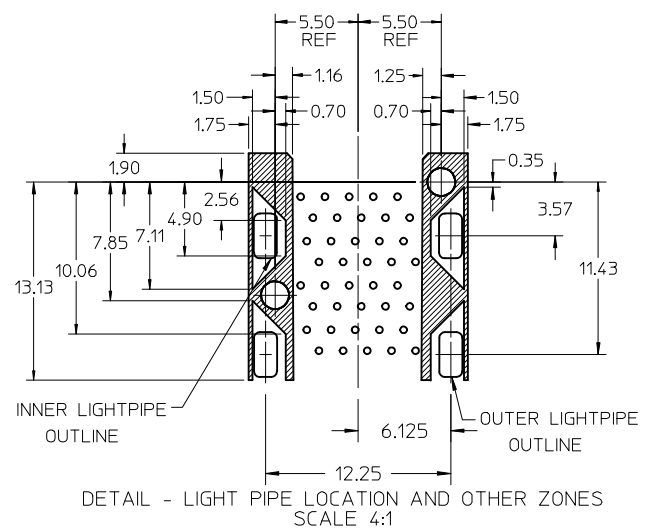
THE ENTIRE AREA OF THE CONNECTOR FOOTPRINT  
TO BE CONSIDERED THE KEEP OUT AREA FOR COMPONENTS  
(OTHER THAN LIGHT PIPE LED'S)  
THIS AREA IS INDICATED BY THE DASHED LINE

<b>ADD KEEP OUT ZONES</b> IEC NO: 2009/08/28 DRAWN: JKACH LC 2009/11/05 CHKD: 2009/11/05 APPR: MBANAK IS 2009/11/06 REV: DESCRIPTION	QUALITY SYMBOLS	GENERAL TOLERANCES (UNLESS SPECIFIED)	DIMENSION STYLE	SCALE	DESIGN UNITS	THIRD ANGLE PROJECTION
	$\nabla=0$ $\nabla=0$	mm INCH	MM ONLY	3:1	METRIC	
		4 PLACES ± --- ± --- 3 PLACES ± --- ± --- 2 PLACES ± 0.13 ± --- 1 PLACE ± 0.25 ± --- ANGULAR ± 5 °	DRAWN BY DATE JJANTELEZ10 01-18-2007 CHECKED BY DATE MSANDBERG 01-18-2007 APPROVED BY DATE KREGNIER 01-18-2007	TITLE		
	DRAFT WHERE APPLICABLE MUST REMAIN WITHIN DIMENSIONS	SEE TABLE	MATERIAL NO.	DOCUMENT NO.		
					STACKED SFP+ 2X1 ASS'Y WITH ELASTOMERIC GASKET AND LIGHTPIPES MOLEX INCORPORATED SD-76090-001	SHEET NO. 3 OF 4
			THIS DRAWING CONTAINS INFORMATION THAT IS PROPRIETARY TO MOLEX INCORPORATED AND SHOULD NOT BE USED WITHOUT WRITTEN PERMISSION			



SECTION Z-Z

BEZEL CUT-OUT CENTER SPACING DETAIL  
BEZEL THICKNESS 0.8-2.6



THE HATCHED AREA IN THIS VIEW INDICATES ZONES THAT ARE OCCUPIED BY THE PLASTIC HOUSING THAT SEATS AGAINST THE PCB AND BY THE VERTICAL METAL CAGE WALL THAT STOPS JUST SHORT OF THE PCB

SEE SHEET 1 EC NO: 2009/08/28 TDRWN: KACHLIC 2009/11/05 CHKD: 2009/11/05 APPR: MBANAKIS 2009/11/06	QUALITY SYMBOLS ▽=0 ▽=0	GENERAL TOLERANCES (UNLESS SPECIFIED) <table border="1"> <thead> <tr> <th></th> <th>mm</th> <th>INCH</th> </tr> </thead> <tbody> <tr> <td>4 PLACES</td> <td>± ---</td> <td>± ---</td> </tr> <tr> <td>3 PLACES</td> <td>± ---</td> <td>± ---</td> </tr> <tr> <td>2 PLACES</td> <td>± 0.13</td> <td>± ---</td> </tr> <tr> <td>1 PLACE</td> <td>± 0.25</td> <td>± ---</td> </tr> </tbody> </table>		mm	INCH	4 PLACES	± ---	± ---	3 PLACES	± ---	± ---	2 PLACES	± 0.13	± ---	1 PLACE	± 0.25	± ---	DIMENSION STYLE <b>MM ONLY</b> DRAWN BY: JJANTELEZ10 DATE: 01-18-2007 CHECKED BY: MSANDBERG DATE: 01-18-2007 APPROVED BY: KREGNIER DATE: 01-18-2007	SCALE: 3:1 DESIGN UNITS: METRIC THIRD ANGLE PROJECTION	TITLE: STACKED SFP+ 2X1 ASS'Y WITH ELASTOMERIC GASKET AND LIGHTPIPES
		mm	INCH																	
	4 PLACES	± ---	± ---																	
	3 PLACES	± ---	± ---																	
2 PLACES	± 0.13	± ---																		
1 PLACE	± 0.25	± ---																		
MATERIAL NO. SEE TABLE DOCUMENT NO. SD-76090-001 SHEET NO. 4 OF 4	DRAFT WHERE APPLICABLE MUST REMAIN WITHIN DIMENSIONS		MOLEX INCORPORATED																	
THIS DRAWING CONTAINS INFORMATION THAT IS PROPRIETARY TO MOLEX INCORPORATED AND SHOULD NOT BE USED WITHOUT WRITTEN PERMISSION																				