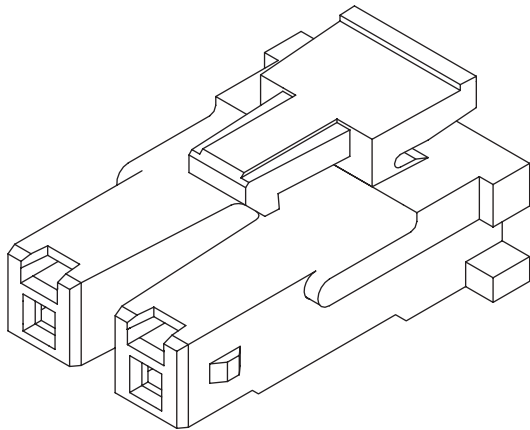


3.50mm (0.138") PITCH CONNECTOR

Wire-to-Board
Housing

35001HS-02L Series

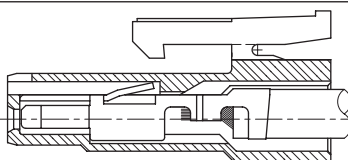
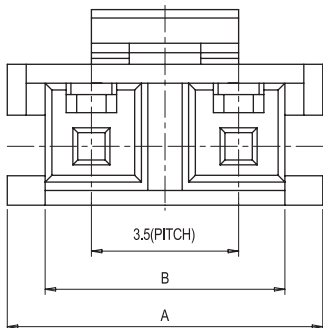
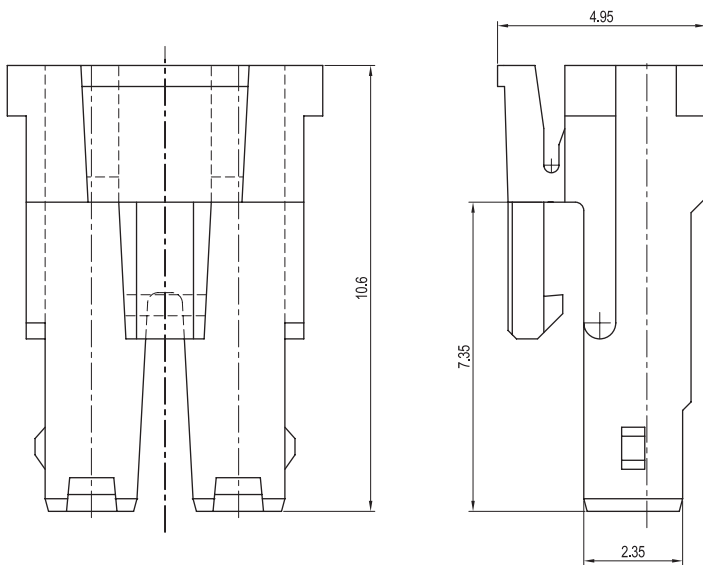


Material

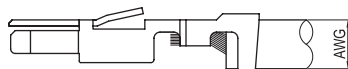
I/NO	DESCRIPTION	TITLE	MATERIAL
1	HOUSING	35001HS-02L	PA66, UL94 V Grade

Available Pin

PARTS NO.	DIM. A	DIM. B
35001HS-02L	7.50	5.70



TERMINAL ASSEMBLY DRAWING



AWG : #24 ~ #28

Specification

ITEM	SPEC
Voltage Rating	AC/DC 1400V
Current Rating	AC/DC 1A
Operating Temperature	-25°C~+85°C
Contact Resistance	30mΩ MAX
Withstanding Voltage	AC3800V/1min
Insulation Resistance	1000MΩ MIN
Applicable Wire	AWG #24~#28
Applicable P.C.B	-
Applicable FPC/FFC	-
Solder Height	-
Crimp Tensile Strength	-
UL FILE NO	E108706

Application Terminal : 35001TS-L (179 page)