

FEATURES

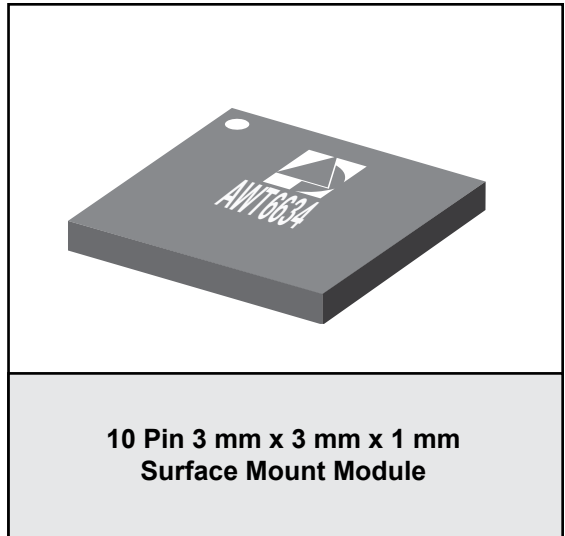
- CDMA/EVDO, WCDMA/HSPA and LTE Compliant
- 3rd Generation HELP™ technology
- High Efficiency: (LTE waveform)
 - 35 % @ P_{OUT} = +27.25 dBm
 - 20 % @ P_{OUT} = +16 dBm
- Simpler Calibration with only 2 Bias Modes
- Optimized for SMPS Supply
- Low Quiescent Current: 8mA
- Low Leakage Current in Shutdown Mode: 4 μA
- Internal Voltage Regulator
- Integrated “daisy chainable” directional couplers with CPL_{IN} and CPL_{OUT} Ports
- Optimized for a 50 Ω System
- Low Profile Miniature Surface Mount Package
- Internal DC blocks on IN/OUT RF ports
- 1.8 V Control Logic
- RoHS Compliant Package, 260 °C MSL-3

APPLICATIONS

- Wireless Handsets and Data Devices for:
 - WCDMA/HSPA/LTE Bands 3,4,9 or 10
 - CDMA/EVDO AWS/KPCS Band

PRODUCT DESCRIPTION

The AWT6634 PA is designed to provide highly linear output for WCDMA , CDMA and LTE handsets and data devices with high efficiency at both high and low power modes. This HELP3DC™ PA can be used with an external switch mode power supply (SMPS) to improve its efficiency and reduce current consumption further at medium and low output powers. A “daisy chainable” directional coupler is integrated in the module thus eliminating the need of external couplers. The device is manufactured on an advanced InGaP HBT MMIC technology offering state-of-the-art reliability, temperature stability, and ruggedness. There



are two selectable bias modes that optimize efficiency for different output power levels, and a shutdown mode with low leakage current, which increases handset talk and standby time. The self-contained 3 mm x 3 mm x 1 mm surface mount package incorporates matching networks optimized for output power, efficiency, and linearity in a 50 Ω system.

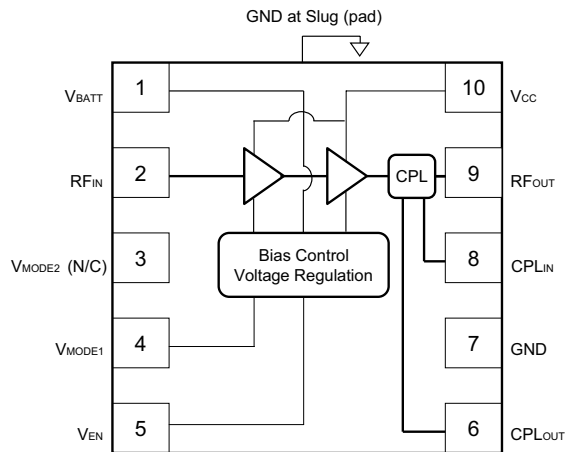


Figure 1: Block Diagram

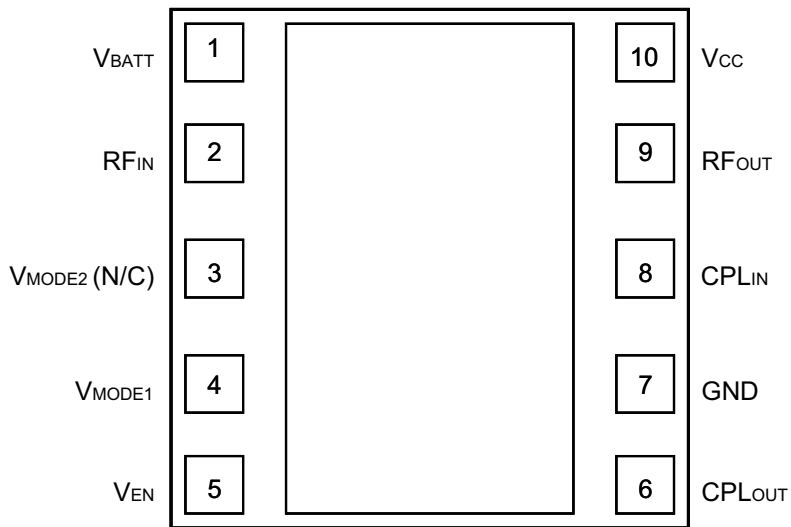


Figure 2: Pinout (X-ray Top View)

Table 1: Pin Description

PIN	NAME	DESCRIPTION
1	V_{BATT}	Battery Voltage
2	RF_{IN}	RF Input
3	V_{MODE2} (N/C)	No Connection
4	V_{MODE1}	Mode Control Voltage 1
5	V_{EN}	PA Enable Voltage
6	CPL_{OUT}	Coupler Output
7	GND	Ground
8	CPL_{IN}	Coupler Input
9	RF_{OUT}	RF Output
10	V_{CC}	Supply Voltage

ELECTRICAL CHARACTERISTICS

Table 2: Absolute Minimum and Maximum Ratings

PARAMETER	MIN	MAX	UNIT
Supply Voltage (V_{CC})	0	+5	V
Battery Voltage (V_{BATT})	0	+6	V
Control Voltages (V_{MODE1} , V_{ENABLE})	0	+3.5	V
RF Input Power (P_{IN})	-	+10	dBm
Storage Temperature (T_{STG})	-40	+150	°C

Stresses in excess of the absolute ratings may cause permanent damage. Functional operation is not implied under these conditions. Exposure to absolute ratings for extended periods of time may adversely affect reliability.

Table 3: Operating Ranges

PARAMETER	MIN	TYP	MAX	UNIT	COMMENTS
Operating Frequency (f)	1710	-	1785	MHz	
Supply Voltage (V_{CC})	+0.5	+3.4	+4.35	V	$P_{OUT} \leq +28.25$ dBm
Battery Voltage (V_{BATT})	+3.1	+3.4	+4.35	V	$P_{OUT} \leq +28.25$ dBm
Enable Voltage (V_{ENABLE})	+1.35 0	+1.8 0	+3.1 +0.5	V	PA "on" PA "shut down"
Mode Control Voltage (V_{MODE1})	+1.35 0	+1.8 0	+3.1 +0.5	V	Low Bias Mode High Bias Mode
RF Output Power (P_{OUT}) R99 WCDMA, HPM HSPA (MPR=0), HPM LTE, HPM R99 WCDMA, LPM HSPA (MPR=0), LPM LTE, LPM	27.45 ⁽¹⁾ 26.45 ⁽¹⁾ 26.45 ⁽¹⁾ 16.2 ⁽¹⁾ 15.2 ⁽¹⁾ 15.2 ⁽¹⁾	28.25 27.25 27.25 17 16 16	28.25 27.25 27.25 17 16 16	dBm	3GPP TS 34.121-1, Rel 8 Table C.11.1.3 for WCDMA SUBTEST 1 TS 36.101 Rel 8 LTE
CDMA Output Power HPM LPM	26.7 ⁽¹⁾ 15.2 ⁽¹⁾	27.5 16.0	- -	dBm	CDMA2000, RC-1
Case Temperature (T_c)	-30	-	+90	°C	

The device may be operated safely over these conditions; however, parametric performance is guaranteed only over the conditions defined in the electrical specifications.

Notes:

(1) For operation at $V_{CC} = +3.1$ V, P_{OUT} is derated by 0.8 dB.

Table 4: Electrical Specifications - WCDMA Operation (R99 waveform)
(T_C = +25 °C, V_{CC} = +3.4 V, V_{BATT} = +3.4 V, V_{ENABLE} = +1.8 V, 50 Ω system)

PARAMETER	MIN	TYP	MAX	UNIT	COMMENTS	
					P _{OUT}	V _{MODE1}
Gain	24.5 11.5	27 14	29.5 16	dB	+28.25 dBm +17 dBm	0 V 1.8 V
ACLR1 at 5 MHz offset ⁽¹⁾	- -	-41 -41	-38 -38	dBc	+28.25 dBm +17 dBm	0 V 1.8 V
ACLR2 at 10 MHz offset	- -	-55 -60	-48 -53	dBc	+28.25 dBm +17 dBm	0 V 1.8 V
Power-Added Efficiency ⁽¹⁾	37 20	40 23	- -	%	+28.25 dBm +17 dBm	0 V 1.8 V
Quiescent Current (I _q) Low Bias Mode	-	8	16.5	mA	V _{MODE1} = +1.8 V	
Mode Control Current	-	0.3	0.6	mA	through V _{MODE} pin, V _{MODE1} = +1.8 V	
Enable Current	-	0.3	0.6	mA	through V _{ENABLE} pin	
BATT Current	-	2.5	5	mA	through V _{BATT} , V _{MODE1} = +1.8V	
Leakage Current	-	4	7	μA	V _{BATT} = +4.2 V, V _{CC} = +4.2 V, V _{ENABLE} = 0 V, V _{MODE1} = 0 V	
Noise in Receive Band	- - -	-134 -141 -134	- - -	dBm/Hz	1805 - 1880 MHz 2110 - 2155 MHz 1574.4 - 1576.4 MHz	
Harmonics 2f _o 3f _o , 4f _o	- - -	-37 -55	-34 -50	dBc	P _{OUT} ≤ +28.25 dBm	
Input Impedance	-	2:1	-	VSWR		
Coupling Factor	-	20	-	dB		
Directivity	-	28	-	dB		
Coupler IN-OUT Daisy Chain Insertion Loss	-	0.25	-	dB	698 MHz through 2620 MHz Pin 8 to 6; Shutdown Mode	
Spurious Output Level (all spurious outputs)	-	-	-70	dBc	P _{OUT} ≤ +28.25 dBm In-band load VSWR < 5:1 Out-of-band load VSWR < 10:1 Applies over all operating conditions	
Load mismatch stress with no permanent degradation or failure	8:1	-	-	VSWR	Applies over full operating range	
Phase Delta (HPM-LPM)	-	10	-	Deg		

Notes:

(1) ACLR and Efficiency measured at 1747.5 MHz.

Table 5: Electrical Specifications - LTE Operation (RB = 12, START = 0, QPSK)
(T_c = +25 °C, V_{BATT} = V_{CC} = +3.4 V, V_{ENABLE} = +1.8 V, 50 Ω system)

PARAMETER	MIN	TYP	MAX	UNIT	COMMENTS	
					P _{OUT}	V _{MODE1}
Gain	24.5 11.5	27 14	29.5 16	dB	+27.25 dBm +16 dBm	0 V 1.8 V
ACLR E-UTRA at ± 10 MHz offset	- -	-39 -39	-36 -36	dBc	+27.25 dBm +16 dBm	0 V 1.8 V
ACLR1 UTRA ⁽¹⁾ at ± 7.5 MHz offset	- -	-40 -40	-37 -37	dBc	+27.25 dBm +16 dBm	0 V 1.8 V
ACLR2 UTRA at ± 12.5 MHz offset	- -	-60 -60	-55 -55	dBc	+27.25 dBm +16 dBm	0 V 1.8 V
Power-Added Efficiency ⁽¹⁾	32 16	35 20	- -	%	+27.25 dBm +16 dBm	0 V 1.8 V
Spurious Output Level (all spurious outputs)	-	-	<-70	dBc	P _{OUT} ≤ +27.25 dBm In-band load VSWR < 5:1 Out-of-band load VSWR < 10:1 Applies over all operating conditions	
Load mismatch stress with no permanent degradation or failure	8:1	-	-	VSWR	Applies over full operating range	

Notes:

(1) ACLR and Efficiency measured at 1747.5 MHz.

Table 6: Electrical Specifications - CDMA Operation (CDMA 2000 RC1 WAVEFORM)
 (T_C = +25 °C, V_{CC} = V_{BATT} = +3.4 V, V_{ENABLE} = +1.8 V, 50 Ω system)

PARAMETER	MIN	TYP	MAX	UNIT	COMMENTS	
					P _{OUT}	V _{MODE1}
Gain	24.5 11.5	27 14	29.5 16	dB	+27.5 dBm +16 dBm	0 V 1.8 V
Adjacent Channel Power at +1.25 MHz offset Primary Channel BW = 1.23 MHz Adjacent Channel BW = 30 kHz	- -	-50 -50	-46 -46	dBc	+27.5 dBm +16 dBm	0 V 1.8 V
Adjacent Channel Power at +1.98 MHz offset Primary Channel BW = 1.23 MHz Adjacent Channel BW = 30 kHz	- -	-55 -60	-51 -56	dBc	+27.5 dBm +16 dBm	0 V 1.8 V
Power-Added Efficiency	- -	36 20	- -	%	+27.5 dBm +16 dBm	0 V 1.8 V
Spurious Output Level (all spurious outputs)	-	-	-70	dBc	See Note 1	
Load mismatch stress with no permanent degradation or failure	8:1	-	-	VSWR	Applies over full operating range	

Notes:

(1) ACPR and Efficiency measured at 1747.5 MHz.

APPLICATION INFORMATION

To ensure proper performance, refer to all related Application Notes on the ANADIGICS web site: <http://www.anadigics.com>

Shutdown Mode

The power amplifier may be placed in a shutdown mode by applying logic low levels (see Operating Ranges table) to the V_{ENABLE} and V_{MODE1} voltages.

Bias Modes

The power amplifier may be placed in either a Low Bias mode or a High Bias mode by applying the appropriate

logic level (see Operating Ranges table) to V_{MODE1} . The Bias Control table lists the recommended modes of operation for various applications. V_{MODE2} is not necessary for this PA.

Two operating modes are available to optimize current consumption. High Bias/High Power operating mode is for P_{OUT} levels ≥ 16 dBm. At around 16 dBm output power, the PA should be "Mode Switched" to Low power mode for lowest quiescent current consumption.

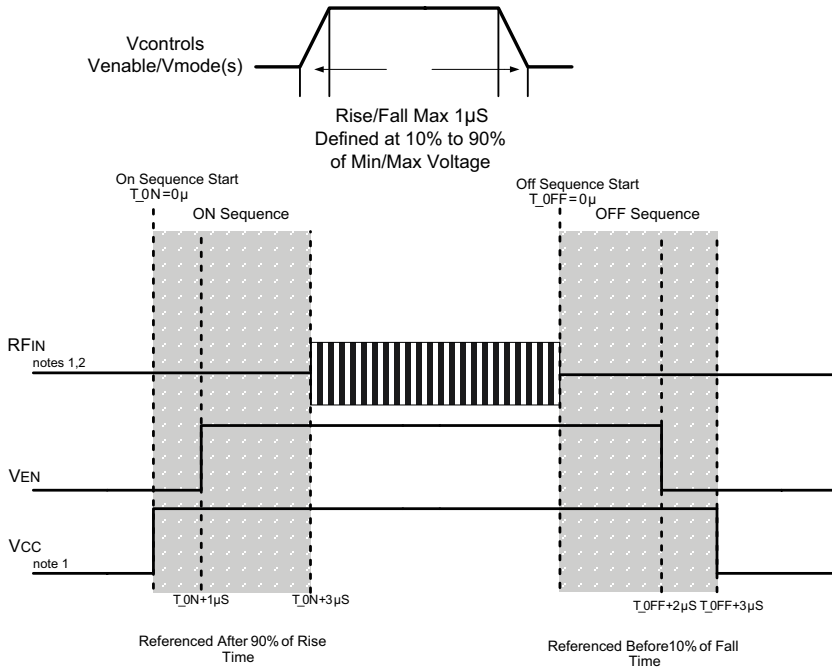


Figure 3: Recommended ON/OFF Timing Sequence

Notes:

- (1) Level might be changed after RF is ON.
- (2) RF OFF defined as $P_{IN} \leq -30$ dBm.
- (3) Switching simultaneously between V_{MODE} and V_{EN} is not recommended.

Table 7: Bias Control

Application	P_{OUT} LEVELS	BIAS MODE	V_{ENABLE}	V_{MODE1}	V_{CC}	V_{BATT}
High power (High Bias Mode)	$>+16$ dBm	High	+1.8 V	0 V	1.5 - 4.35 V	> 3.1 V
Med/low power (Low Bias Mode)	$\leq +17$ dBm	Low	+1.8 V	+1.8 V	0.5 - 4.35 V	> 3.1 V
Shutdown	-	Shutdown	0 V	0 V	0.5 - 4.35 V	> 3.1 V

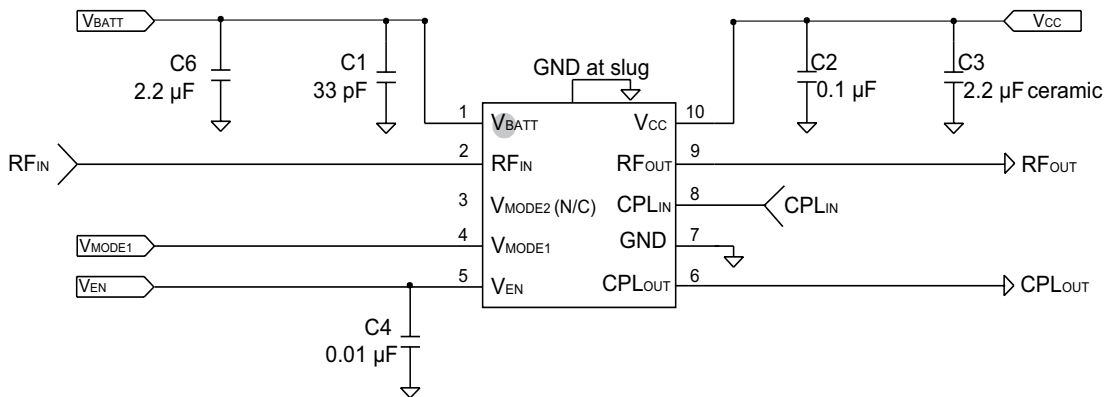


Figure 4: Evaluation Circuit Schematic

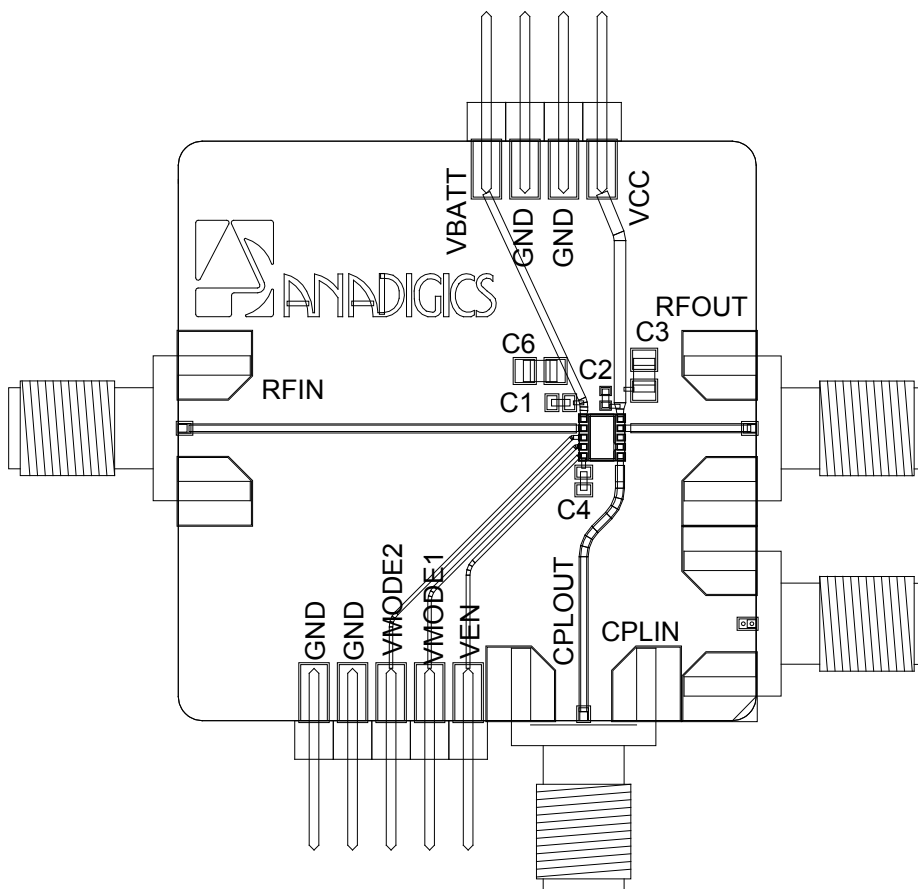


Figure 5: Evaluation Board Layout

HELP3DC™

The AWT6634 power amplifier module is based on ANADIGICS proprietary HELP3DC™ technology. The PA is designed to operate up to 17 dBm in the low power mode, thus eliminating the need for three gain states, while still maintaining low quiescent current and high efficiency in low and medium power levels. Average weighted efficiency can be increased by using an external switch mode power supply (SMPS) or DC/DC converter to reduce V_{CC} .

The directional “daisy chainable” coupler is integrated within the PA module, therefore there is no need for external couplers.

The AWT6634 has an integrated voltage regulator, which eliminates the need for an external constant voltage source. The PA is turn on/off is controlled by V_{EN} pin. A single V_{MODE} control logic (V_{MODE1}) is needed to operate this device. AWT6634 requires only two calibration sweeps for system calibration, thus saving calibration time.

Figure 5 shows one application example on mobile board. C1 and C2 are RF bypass caps and should be placed nearby pin 1 and pin 10. Bypass caps C4 and C5 may not be needed. Also a “T” matching topology is recommended at PA RF_{IN} and RF_{OUT} ports to provide matching between input TX Filter and Duplexer / Isolator.

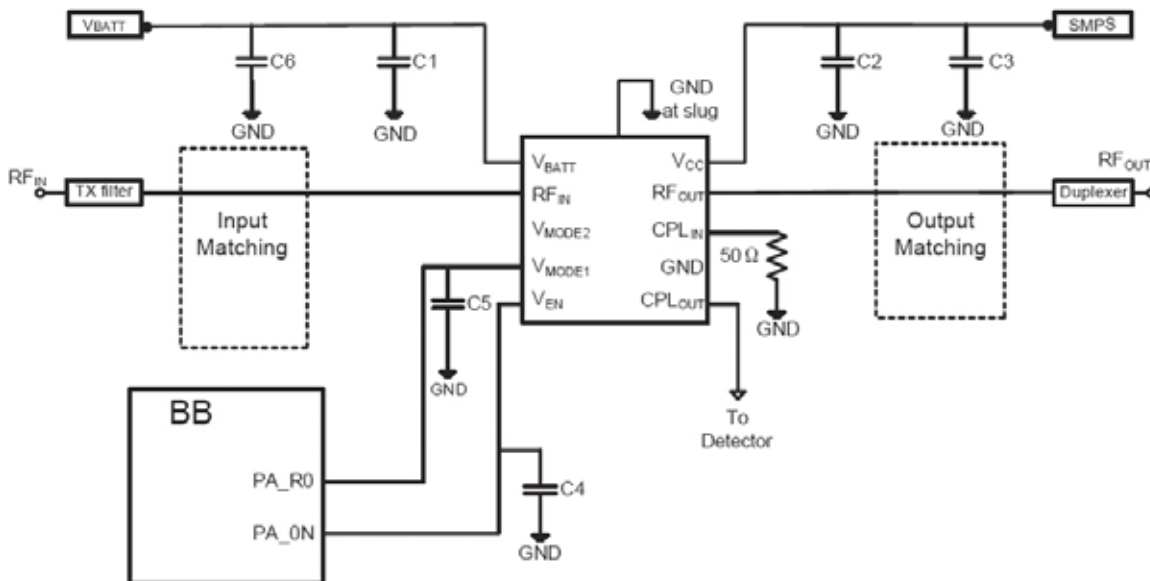


Figure 6: Typical Application Circuit

PERFORMANCE DATA:

Figure 7: WCDMA Gain (dB) over Temperature
($V_{BATT} = V_{CC} = 3.4\text{ V}$)

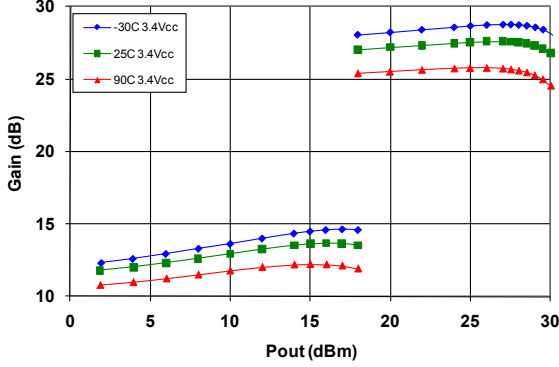


Figure 8: WCDMA Gain (dB) over Voltage
($T_c = 25\text{ }^\circ\text{C}$)

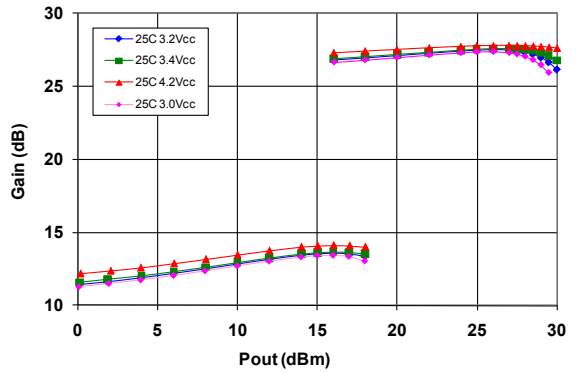


Figure 9: WCDMA PAE (%) over Temperature
($V_{BATT} = V_{CC} = 3.4\text{ V}$)

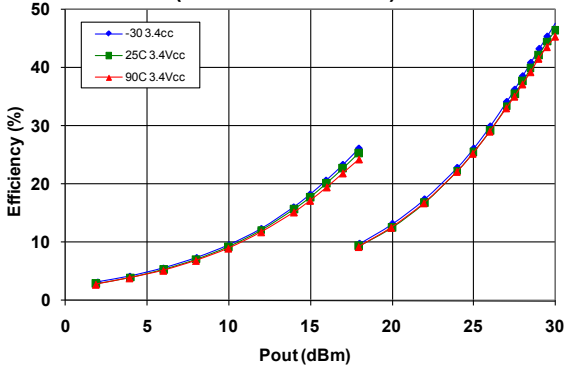


Figure 10: WCDMA PAE (%) over Voltage
($T_c = 25\text{ }^\circ\text{C}$)

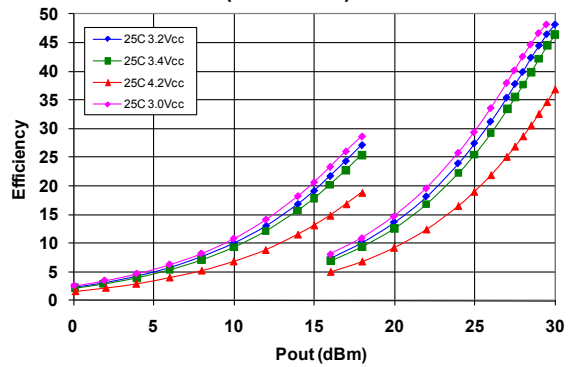


Figure 11: WCDMA ACLR1 (dBc) over Temperature
($V_{BATT} = V_{CC} = 3.4\text{ V}$)

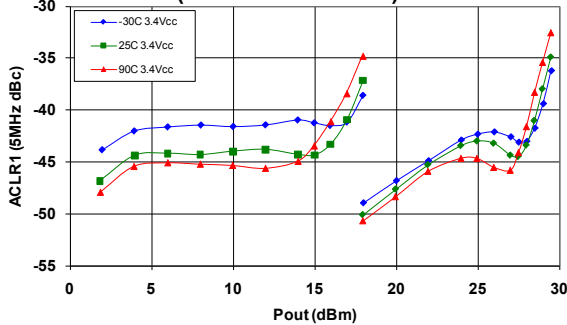
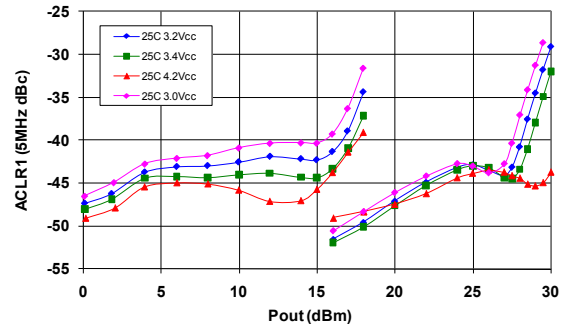
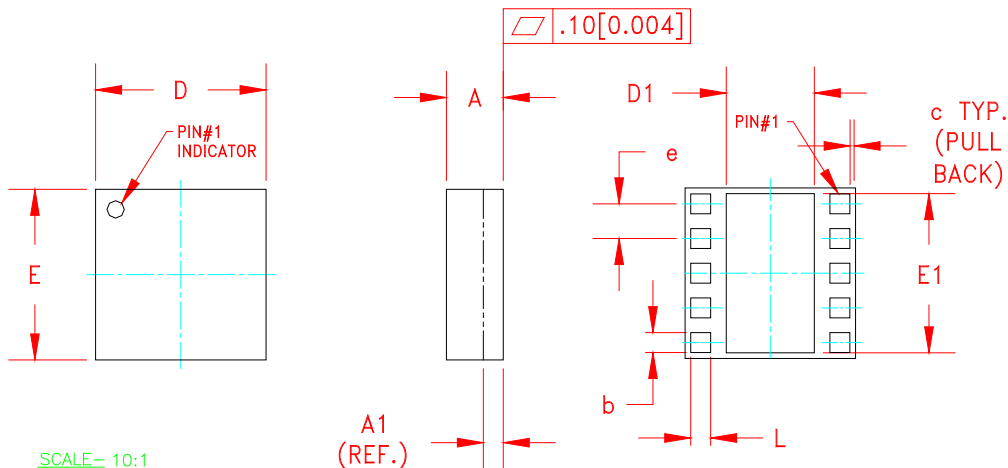


Figure 12: WCDMA ACLR1 (dBc) over Voltage
($T_c = 25\text{ }^\circ\text{C}$)



PACKAGE OUTLINE



SCALE= 10:1

SYMBOL	MILLIMETERS			INCHES			NOTE
	MIN.	NOM.	MAX.	MIN.	NOM.	MAX.	
A	0.91	1.03	1.13	0.035	0.041	0.044	-
A1	PLEASE REFER TO LAMINATE CONTROL DRAWING						-
b	0.32	0.35	0.40	0.013	0.014	0.016	3
c	-	0.10	-	-	0.004	-	-
D	2.88	3.00	3.12	0.113	0.118	0.123	-
D1	1.45	1.50	1.57	0.057	0.059	0.062	3
E	2.88	3.00	3.12	0.113	0.118	0.123	-
E1	2.70	2.75	2.85	0.106	0.108	0.112	3
e	0.60			0.024			3
L	0.32	0.35	0.40	0.013	0.014	0.016	3

NOTES:

1. CONTROLLING DIMENSIONS: MILLIMETERS
2. UNLESS SPECIFIED TOLERANCE= $\pm 0.076[0.003]$.
3. PADS (INCLUDING CENTER) SHOWN UNIFORM SIZE FOR REFERENCE ONLY. ACTUAL PAD SIZE AND LOCATION WILL VARY WITHIN MIN. AND MAX. DIMENSIONS ACCORDING TO SPECIFIC LAMINATE DESIGN.
4. UNLESS SPECIFIED DIMENSIONS ARE SYMMETRICAL ABOUT CENTER LINES SHOWN.
5. LAMINATE CONTROL DRAWING SPECIFIED BY PART NUMBER.

Figure 13: Package Outline - 10 Pin 3 mm x 3 mm x 1 mm Surface Mount Module

TOP BRAND

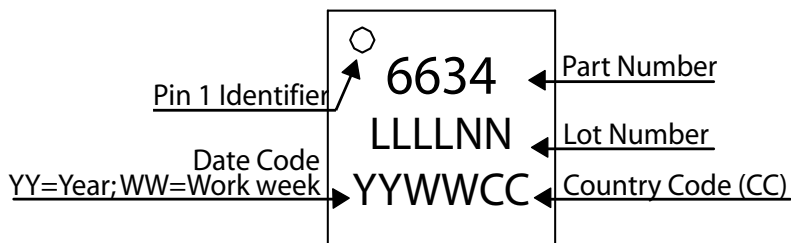
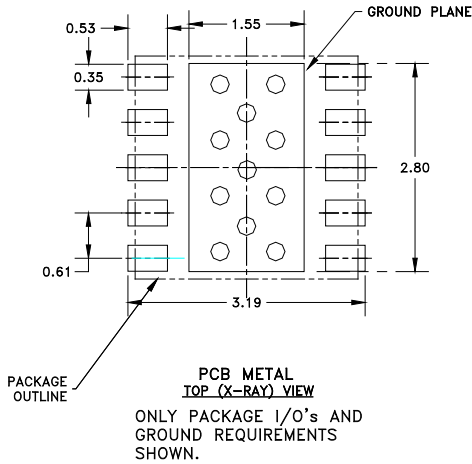


Figure 14: Branding Specification Package

PCB AND STENCIL DESIGN GUIDELINE



NOTES:

- (1) OUTLINE DRAWING REFERENCE: P8002478_E
- (2) UNLESS SPECIFIED DIMENSIONS ARE SYMMETRICAL ABOUT CENTER LINES SHOWN.
- (3) DIMENSIONS IN MILLIMETERS.
- (4) VIAS SHOWN IN PCB METAL VIEW ARE FOR REFERENCE ONLY. NUMBER & SIZE OF THERMAL VIAS REQUIRED DEPENDENT ON HEAT DISSIPATION REQUIREMENT AND THE PCB PROCESS CAPABILITY.
- (5) RECOMMENDED STENCIL THICKNESS: APPROX. 0.150mm (6 Mils)

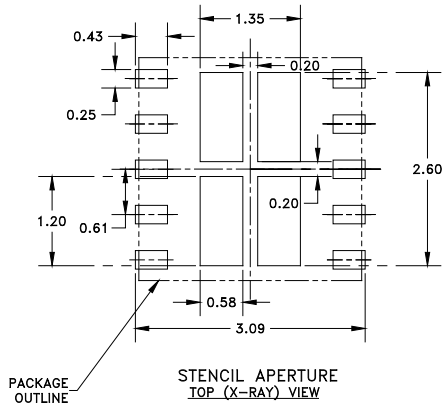
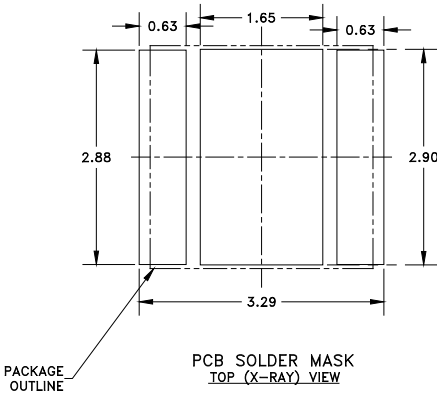
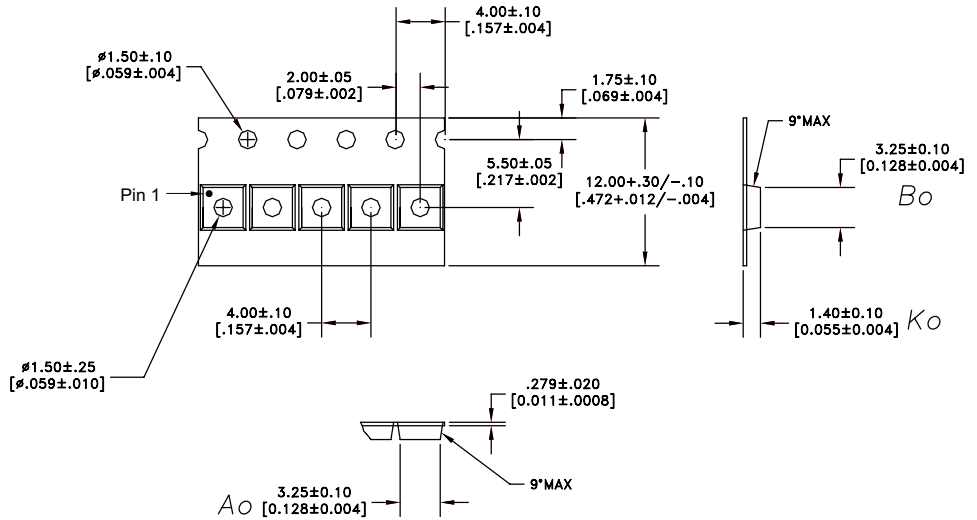


Figure 15: Recommended PCB Layout Information

COMPONENT PACKAGING



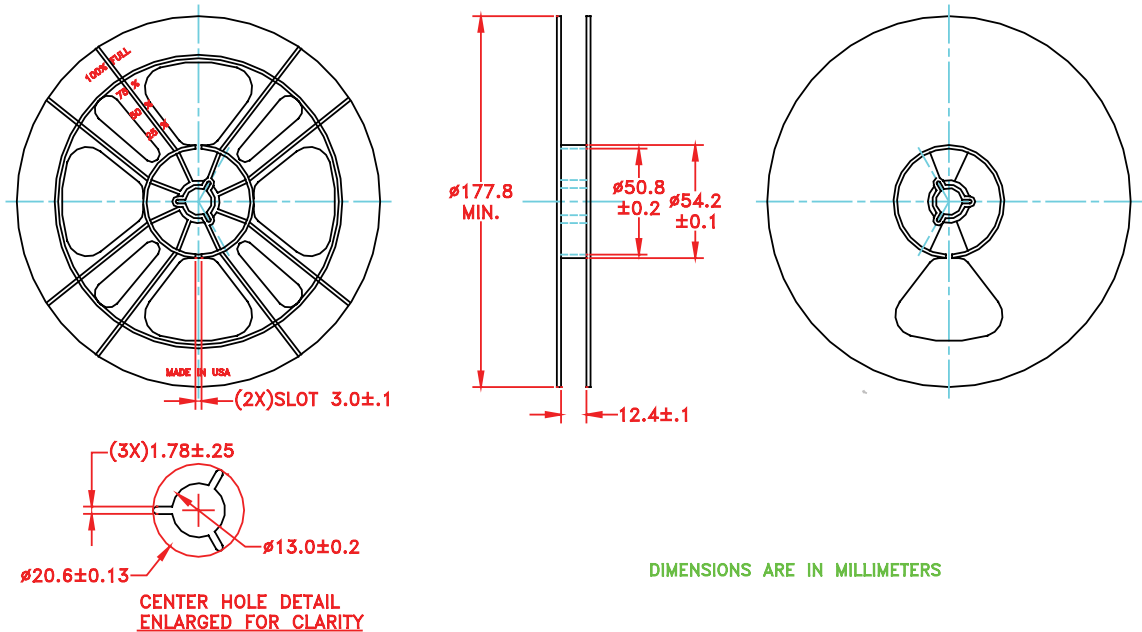
NOTES:

- 1. MATERIAL: 3000 (CARBON FILLED POLYCARBONATE)
100% RECYCLABLE.

DIMENSIONS ARE IN MILLIMETERS [INCHES]

DIMENSIONING AND TOLERANCING PER ASME Y14.5M-1994

Figure 16: Carrier Tape



DIMENSIONS ARE IN MILLIMETERS

NOTES:

- 1. MATERIAL: BLACK CARBON POLYSTYRENE
- SURFACE RESISTIVITY: 1×10^4 TO 1×10^8 ohms/square

DIMENSIONING AND TOLERANCING PER ASME Y14.5M-1994

Figure 17: Reel

ORDERING INFORMATION

ORDER NUMBER	TEMPERATURE RANGE	PACKAGE DESCRIPTION	COMPONENT PACKAGING
AWT6634Q7	-30 °C to +90 °C	RoHS Compliant 10 Pin 3 mm x 3 mm x 1 mm Surface Mount Module	Tape and Reel, 2500 pieces per Reel
AWT6634P9	-30 °C to +90 °C	RoHS Compliant 10 Pin 3 mm x 3 mm x 1 mm Surface Mount Module	Partial Tape and Reel



ANADIGICS, Inc.
 141 Mount Bethel Road
 Warren, New Jersey 07059, U.S.A.
 Tel: +1 (908) 668-5000
 Fax: +1 (908) 668-5132

URL: <http://www.anadigics.com>

IMPORTANT NOTICE

ANADIGICS, Inc. reserves the right to make changes to its products or to discontinue any product at any time without notice. The product specifications contained in Advanced Product Information sheets and Preliminary Data Sheets are subject to change prior to a product's formal introduction. Information in Data Sheets have been carefully checked and are assumed to be reliable; however, ANADIGICS assumes no responsibilities for inaccuracies. ANADIGICS strongly urges customers to verify that the information they are using is current before placing orders.

WARNING

ANADIGICS products are not intended for use in life support appliances, devices or systems. Use of an ANADIGICS product in any such application without written consent is prohibited.