

IPC-3012

Compact Embedded Chassis for PICMG 1.3 Half Size SHB

NEW

PICMG 1.3



Features

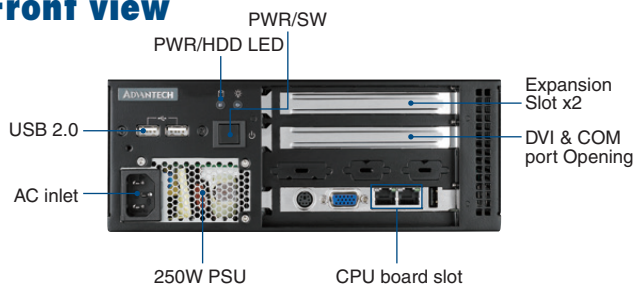
- Compact chassis with two expansion slot
- Support High Computing PICMG 1.3 Half Size SHB
- Support two 2.5" HDD for RAID 0,1 configure
- Optional bi-direction mounting on wall or workbench
- Top cover with thumb screw for easy maintenance

CE FCC RoHS COMPLIANT PRODUCT

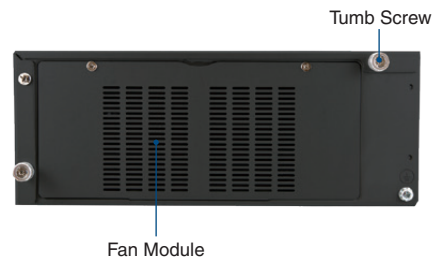
Specifications

| | | | |
|--------------------------|------------------------|--|-----------------------------------|
| Disk Drive Bay | 2.5" | Front-accessible | Internal |
| | | - | 2 |
| Cooling | Fan | 2 (6 cm/27 CFM) | |
| | Air Filters | Yes | |
| Front I/O interface | USB | 2 | |
| Miscellaneous | LED Indicators | Power, HDD | |
| | Control | Power Switch | |
| Environment | | Operating | Non-operating |
| | Temperature | 0 ~ 40° C (32 ~ 104° F) | -20 ~ 60° C (-4 ~ 140° F) |
| | Humidity | 10 ~ 85 % @ 40° C, non-condensing | 10 ~ 95 % @ 40° C, non-condensing |
| | Vibration (5-500 Hz) | 1G | 2 G |
| | Shock | 10 G (with 11 ms duration, half sine wave) | |
| Physical Characteristics | Dimensions (W x H x D) | 232 x 90 x 232 mm | |
| | Weight | 3.24 kg (7.14 lb) | |

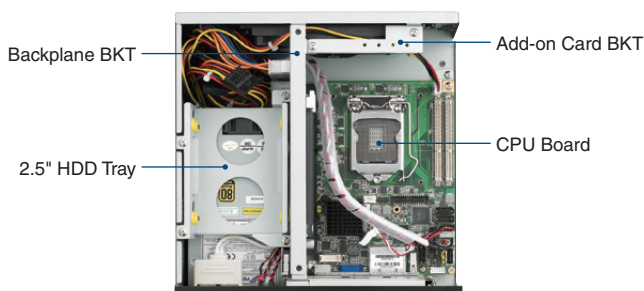
Front view



Rear view

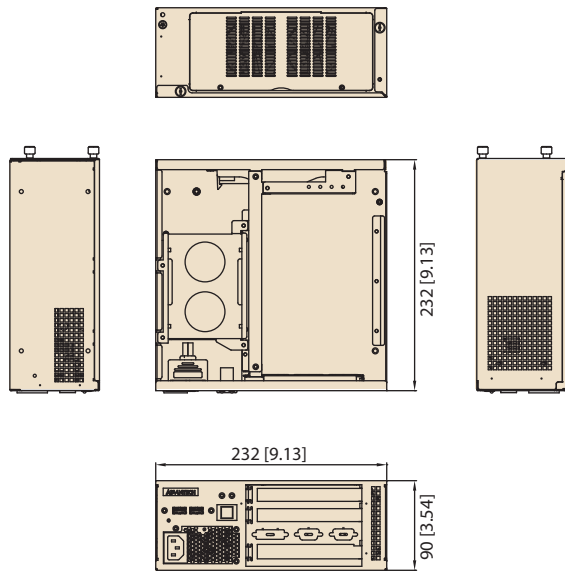


Inside view



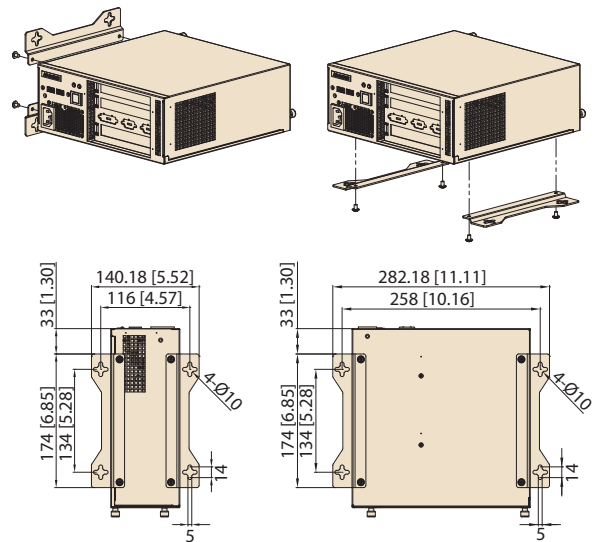
Dimensions

Unit: mm [inch]



Installation

Unit: mm [inch]



Ordering Information

| Part Number | Power Supply |
|---------------|------------------------------------|
| IPC-3012-25ZE | With power supply, with ATX switch |

Backplane Options

| Model | PICMG | PCIe |
|-----------------|-----------|---------------------------|
| PCE-3B03A-00A1E | PICMG 1.3 | 1 (PCIe x4), 1 (PCIe x16) |

Power Supply Options

| Part Number | Watt | Input |
|---------------|-------|-----------------------------|
| 1757004308-01 | 250 W | AC 100 ~ 240 V (full range) |

Optional Accessories

| Part Number | Description |
|----------------|---------------------------------------|
| 1750006419 | 27.72 CFM, system fan 60 x 60 x 13 mm |
| 1990005760T00B | Filter cover for ARK-6620 |

CPU board Options

| Part Number | Description |
|------------------|-------------------------|
| PCE-3026G2-00A1E | PICMG 1.3 Half-size SHB |