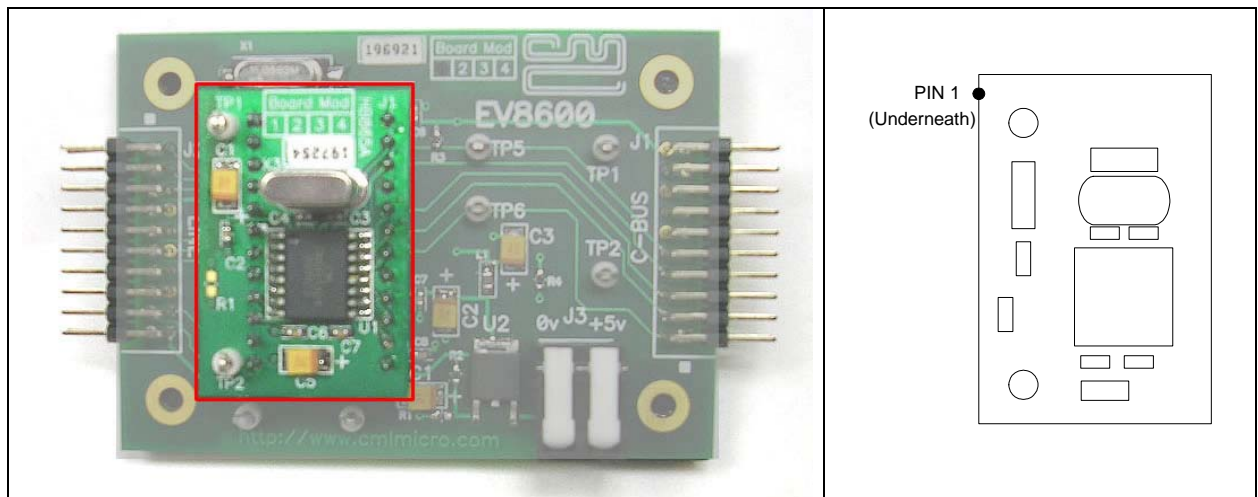
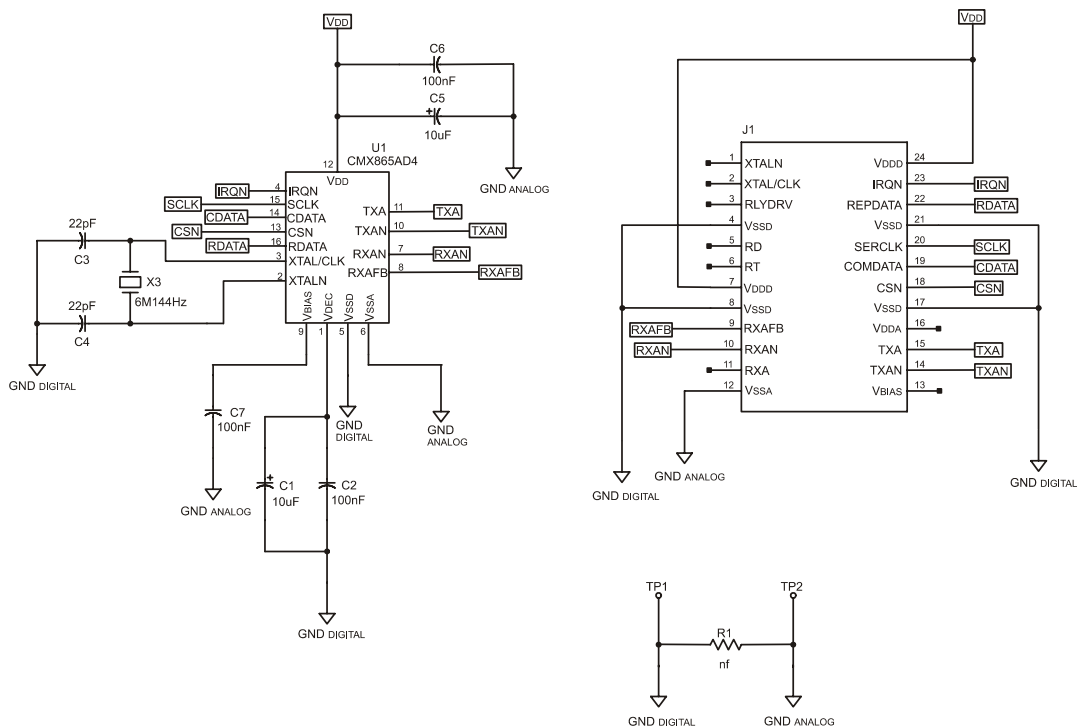


1. General

This sheet applies to the HB865A Header Board, which uses the PCB564A pcb. This board adapts the CMX865AD4 (a 16-pin SOIC) profile into a CMX865P4 (a 24-pin DIL) profile, to enable product evaluation. The HB865A includes a CMX865A plus suitable xtal oscillator and decoupling components, as recommended in the CMX865A data sheet. It can be used with the EV8600 kit.

2. The HB865A Header Board

The HB865A circuit schematic and EV8600 installation diagrams are shown below:



3. J1 Signal List

Pin	Signal Name	Pin	Signal Name
1	no connection	13	no connection
2	no connection	14	TXAN
3	no connection	15	TXA
4	Digital Vss	16	no connection
5	no connection	17	Digital Vss
6	no connection	18	CSN (C-BUS)
7	Digital Vdd	19	CDATA (C-BUS)
8	Digital Vss	20	SCLK (C-BUS)
9	RXAFB	21	Digital Vss
10	RXAN	22	RDATA (C-BUS)
11	no connection	23	IRQN (C-BUS)
12	Analogue Vss	24	Digital Vdd

4. Important Notes

The HB865A Header Board is suitable for direct connection into the CMX865P4 socket on an EV8600 Evaluation Kit. The HB865A operates from Vdd = 3.0 to 3.6V dc over a temperature range of +10°C to +35°C. Note the correct board orientation and pin assignments for the HB865A.

When used with an EV8600 Evaluation Kit, C3 and C6 must be removed from the EV8600 board.

5. Parts List

This HB865A Header Board kit contains the following items:

Description	Qty.
HB865A Header Board (containing) CMX865AD4 Integrated Circuit	1
This Information Sheet	1

Please note that information on other Evaluation Kits is available from the CML website.



Handling precautions: This product includes input protection, however, precautions should be taken to prevent device damage from electro-static discharge. CML does not assume any responsibility for the use of any circuitry described. No IPR or circuit patent licences are implied. CML reserves the right at any time without notice to change the said circuitry and this product specification. CML has a policy of testing every product shipped using calibrated test equipment to ensure compliance with this product specification. Specific testing of all circuit parameters is not necessarily performed.

www.cmlmicro.com

[For FAQs see: www.cmlmicro.com/products/faqs/](http://www.cmlmicro.com/products/faqs/)

[For a full data sheet listing see: www.cmlmicro.com/products/datasheets/download.htm](http://www.cmlmicro.com/products/datasheets/download.htm)

[For detailed application notes: www.cmlmicro.com/products/applications/](http://www.cmlmicro.com/products/applications/)

 CML Microcircuits (UK) Ltd <small>COMMUNICATION SEMICONDUCTORS</small>	 CML Microcircuits (USA) Inc. <small>COMMUNICATION SEMICONDUCTORS</small>	 CML Microcircuits (Singapore) Pte Ltd <small>COMMUNICATION SEMICONDUCTORS</small>
Oval Park, Langford, Maldon, Essex, CM9 6WG - England. Tel: +44 (0)1621 875500 Fax: +44 (0)1621 875600 Sales: sales@cmlmicro.com Technical Support: techsupport@cmlmicro.com	4800 Bethania Station Road, Winston-Salem, NC 27105 - USA. Tel: +1 336 744 5050, 800 638 5577 Fax: +1 336 744 5054 Sales: us.sales@cmlmicro.com Technical Support: us.techsupport@cmlmicro.com	No 2 Kallang Pudding Road, #09 - 05/06 Mactech Industrial Building, Singapore 349307 Tel: +65 6745 0426 Fax: +65 6745 2917 Sales: sg.sales@cmlmicro.com Technical Support: sg.techsupport@cmlmicro.com
		No. 218, Tian Mu Road West, Tower 1, Unit 1008, Shanghai Kerry Everbright City, Zhabei, Shanghai 200070, China. Tel: +86 21 6317 4107 +86 21 6317 8916 Fax: +86 21 6317 0243 Sales: cn.sales@cmlmicro.com.cn Technical Support: sg.techsupport@cmlmicro.com