

PLEASE CHECK WWW.MOLEX.COM FOR LATEST PART INFORMATION

Part Number: [0190690046](#)
Status: **Active**
Description: Krimptite™ Ring Tongue Terminal for 18-22 AWG Wire

Documents:
[Drawing \(PDF\)](#) [RoHS Certificate of Compliance \(PDF\)](#)

Agency Certification

CSA LR18689
 UL E32244

General

Product Family Ring and Spade Terminals
 Series [19069](#)
 Crimp Quality Equipment Yes
 Mil-Spec N/A
 Product Name Krimptite™
 Type Ring

Physical

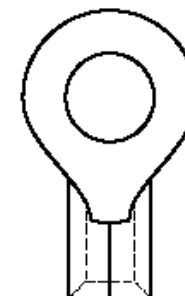
Barrel Type Closed
 Insulation None
 Material - Plating Mating Tin
 Packaging Type Adhesive Tape on Reel
 Stud Size 5/16" (M8)
 Termination Interface: Style Crimp or Compression
 Wire Size AWG 18, 20, 22
 Wire Size mm² 0.35 - 0.80

Material Info

Old Part Number AA-122-56T

Reference - Drawing Numbers

Sales Drawing SD-19069-004



*Series
 image - Reference only*

EU RoHS
ELV and RoHS
Compliant
REACH SVHC
Contains SVHC: No
Halogen-Free
Status
Halogen-Free



Need more information on product environmental compliance?

Email productcompliance@molex.com
 For a multiple part number RoHS Certificate of Compliance, [click here](#)

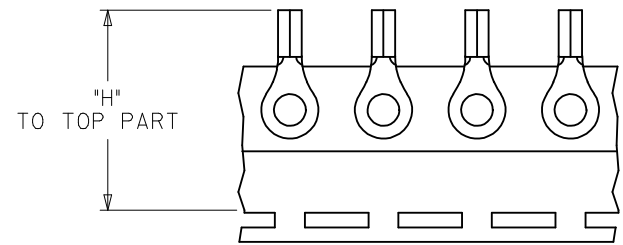
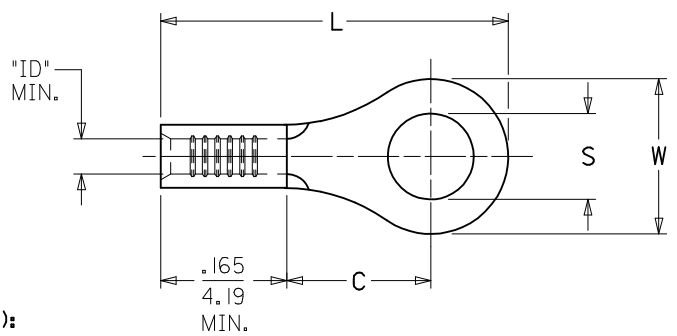
Please visit the [Contact Us](#) section for any non-product compliance questions.

Search Parts in this Series
[19069Series](#)

Application Tooling | [FAQ](#)
Tooling specifications and manuals are found by selecting the products below. Crimp Height Specifications are then contained in the Application Tooling Specification document.

| Global | |
|--|----------------------------|
| Description | Product # |
| ATP Tooling Kit for ATP-100 and ATP-300 Series Air Crimping Press for Mylar Tape Mounted Terminals | 0190270034 |
| Mini-Mac™ Applicator | 0638853800 |

| 10 | 9 | 8 | 7 | 6 | 5 | 4 | 3 | 2 | 1 | | |
|--------------------------|------------|---------------------------|-------------|-----------|-------------------------|--------------|--------------|---------------|-------------|-----------------|----------------|
| MATERIAL NO. LOOSE PIECE | ENG. NO. | MATERIAL NO. TAPE MOUNTED | ENG. NO. | STUD SIZE | "S" ±.003/(0.08) | "W" MAX. | "C" MIN. | "L" MAX. | "ID" MIN. | STOCK THICKNESS | "H" ±.020/0.51 |
| 190690027 | AA-120-02 | 190690028 | AA-120-02T | 2 | .094/(2.39) | .235/(6.00) | .157/(3.99) | .484/(12.29) | .062/(1.57) | .028/(0.71) | 1.155/(29.34) |
| 190690029 | AA-120-04 | 190690030 | AA-120-04T | 4 | .119/(3.02) | | | | | | |
| 190690031 | AA-120-06 | 190690032 | AA-120-06T | 6 | .146/(3.71) | | | | | | |
| 190690033 | AA-121-06 | 190690034 | AA-121-06T | 6 | .146/(3.71) | .322/(8.18) | .270/(6.86) | .641/(16.28) | .062/(1.57) | .028/(0.71) | 1.155/(29.34) |
| 190690035 | AA-121-08 | 190690036 | AA-121-08T | 8 | .173/(4.39) | | | | | | |
| 190690037 | AA-121-10 | 190690038 | AA-121-10T | 10 | .198/(5.03) | | | | | | |
| 190690039 | AA-121-209 | 190690475 | AA-121-209T | 209 | .209/(5.18) | .477/(12.11) | .386/(9.80) | .835/(21.21) | .062/(1.57) | .028/(0.71) | 1.155/(29.34) |
| 190690040 | AA-122-10 | 190690041 | AA-122-10T | 10 | .198/(5.03) | | | | | | |
| 190690042 | AA-122-14 | 190690044 | AA-122-14T | 14 | .265/(6.71) | | | | | | |
| 190690045 | AA-122-56 | 190690046 | AA-122-56T | 56 | .328/(8.33) | .544/(13.82) | .552/(14.02) | 1.034/(26.26) | .055/(1.40) | .031/(0.79) | 1.342/(34.09) |
| 190690047 | AA-126-10 | ----- | ----- | 10 | .198/(5.03) | | | | | | |
| 190690048 | AA-126-14 | 190690128 | AA-126-14T | 14 | .265/(6.71) | | | | | | |
| 190690051 | AA-126-56 | ----- | ----- | 56 | .328/(8.33) | .264/(6.70) | .240/(6.10) | .582/(14.78) | .062/(1.57) | .028/(0.71) | 1.155/(29.34) |
| 190690049 | AA-126-38 | 190690050 | AA-126-38T | 38 | .390/(9.91) | | | | | | |
| 190690052 | AA-132-04 | 190690053 | AA-132-04T | 4 | .119/(3.02) | | | | | | |
| 190690054 | AA-132-06 | 190690055 | AA-132-06T | 6 | .146/(3.71) | .283/(7.20) | .240/(6.10) | .591/(15.00) | .062/(1.57) | .028/(0.71) | 1.155/(29.34) |
| 190690056 | AA-132-08 | 190690057 | AA-132-08T | 8 | .173/(4.39) (C1) | | | | | | |
| 190690061 | AA-133-10 | 190690062 | AA-133-10T | 10 | .198/(5.03) | | | | | | |
| 190690024 | AA-1111-02 | 190690191 | AA-1111-02T | 2 | .094/(2.39) | .197/(5.00) | .173/(4.40) | .490/(12.40) | .055/(1.40) | .031/(0.79) | 1.155/(29.34) |
| 190690025 | AA-1111-04 | 190690026 | AA-1111-04T | 4 | .119/(3.02) | | | | | | |



SALES DRAWING

NOTE(S):
 1. MATERIAL: COPPER.
 2. PLATING: ELECTRO-TIN.
 3. ALL DIMENSIONS IN INCHES/(MM).
 WIRE SIZE:
 22-18 AWG
 0.25-1.5 MM²
(C1) 4. PARTS ARE ROHS COMPLIANT.

| | | | | | | |
|--|----------------------|---------------------------------------|---|-------|---|------------------------|
| FIX TYPO ON .173 DIM EC NO: WNA2009-0432 DRAWN: THRODAHL 2009/01/15 CHKD: JMACNEIL 2009/01/16 APPR: JMACNEIL 2009/01/16 (C1) | QUALITY SYMBOLS | GENERAL TOLERANCES (UNLESS SPECIFIED) | DIMENSION STYLE | SCALE | DESIGN UNITS | THIRD ANGLE PROJECTION |
| | ▽=0 | mm INCH | IN/MM | 1:1 | INCH | |
| | ▽=0 | 4 PLACES ± --- ± --- | DRAWN BY DATE | TITLE | RING TONGUE TERMINAL KRYPTITE, 100 SERIES 22-18 AWG | |
| | | 3 PLACES ± --- ± --- | BDEROSS 2000/6/13 | | | |
| | 2 PLACES ± --- ± --- | CHECKED BY DATE | MATERIAL NO. | | DOCUMENT NO. | |
| | 1 PLACE ± --- ± --- | JHACKNEY 2000/6/13 | | | | |
| | ANGULAR ± ---° | APPROVED BY DATE | SD-19069-004 | | SHEET NO. | |
| | | RDEROSS 2000/6/13 | SEE CHART | | 1 OF 1 | |
| | | | THIS DRAWING CONTAINS INFORMATION THAT IS PROPRIETARY TO MOLEX INCORPORATED AND SHOULD NOT BE USED WITHOUT WRITTEN PERMISSION | | | |