

**NEW**  


0.5mm Pitch Stacking Type Board-to-Board Connector

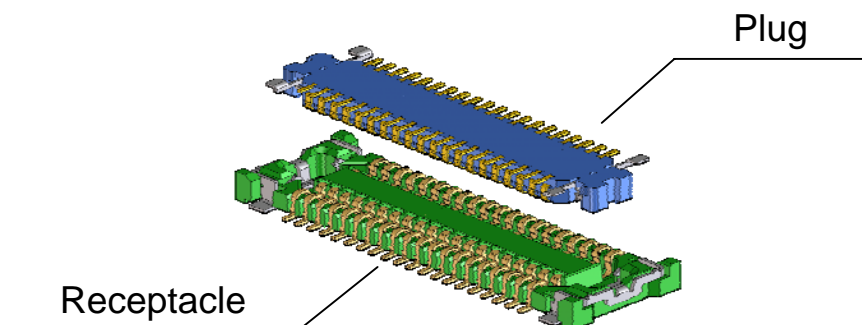
CONNECTOR

MB-0197-2

January 2011

## AA01A Series

<b>RoHS Compliant</b>
-----------------------



The AA01A Series connectors are 0.5mm-pitch, stacking type, board-to-board connectors ideal for slim, low-profile devices such as mobile phones, LCDs, notebook PCs, and PDAs, which have high density mounting requirements.

<b>Features</b>
-----------------

- \* 0.5mm pitch, 2 rows, 10 to 60 positions, 1.5mm stacking height.
- \*The contact structure and surface shape ensure high abrasion resistance and high contact reliability.
- \* Secure hold-downs prevent insulator breakage and peeling from FPC for both plug and receptacle.
- \*2-point contact design to resist twisting stress.
- \*Pb-free. Nickel barrier finish on contact prevents solder migration.

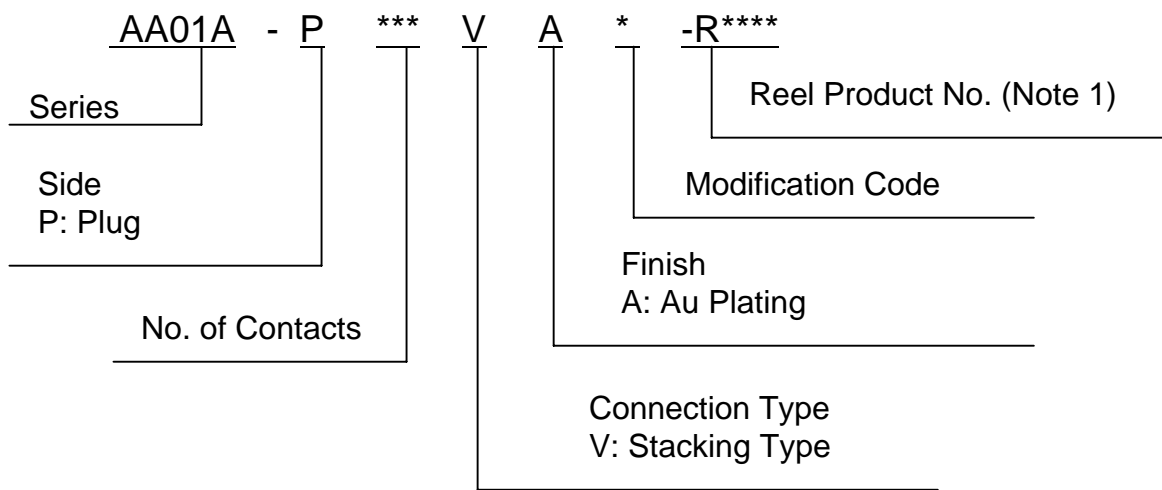
<b>General Specifications</b>
-------------------------------

- |   |   |
|---|---|
| <ul style="list-style-type: none"> <li>■No. of Contacts :<br/>10, 30, 40, 60 pos.</li> <li>■Pitch: 0.5mm, 2 rows</li> <li>■Operating Temperature:<br/>-40 Deg. C to +85 Deg. C</li> <li>■Contact Resistance:<br/>70m ohm max. (initial)</li> <li>■Durability: 30 mating cycles</li> </ul> | <ul style="list-style-type: none"> <li>■Rated Current: AC, DC 0.2A / per pos.</li> <li>■Rated Voltage: AC, DC 50V</li> <li>■Insulation Resistance: 100M ohm min. (initial)</li> <li>■Dielectric Withstanding Voltage:<br/>AC250Vr.m.s per minute</li> <li>■Total Insertion Force:<br/>1N x n max. (n: pos.)</li> <li>■Total Withdrawal Force:<br/>0.2Nx n min. (n: pos.)</li> </ul> |
|---|---|

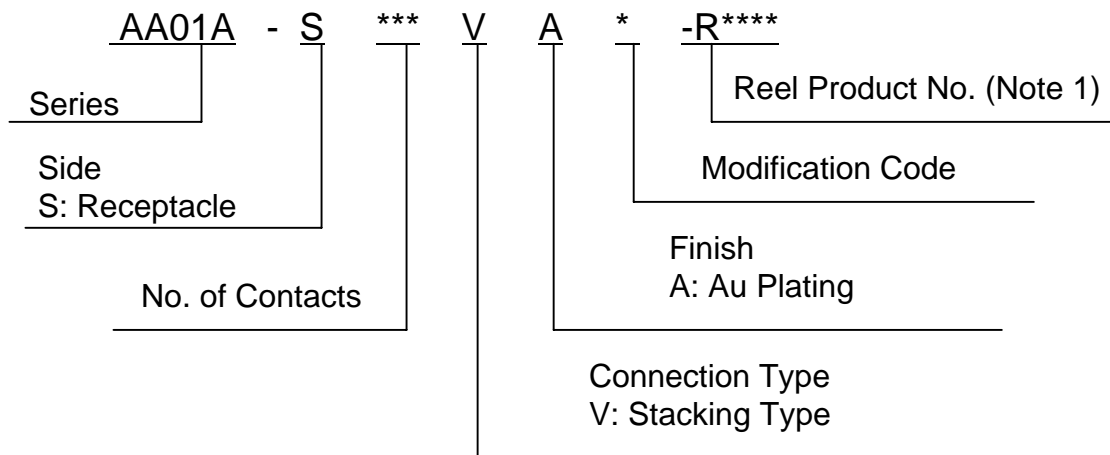
Materials and Finishes

Component	Material / Finish
Contact	Copper alloy / Au plating (0.1um min.)
Insulator	Heat resistant plastic
Hold-down	Plug: Copper alloy / Sn plating Receptacle: Copper alloy / Sn plating

Ordering Information



Ordering Information

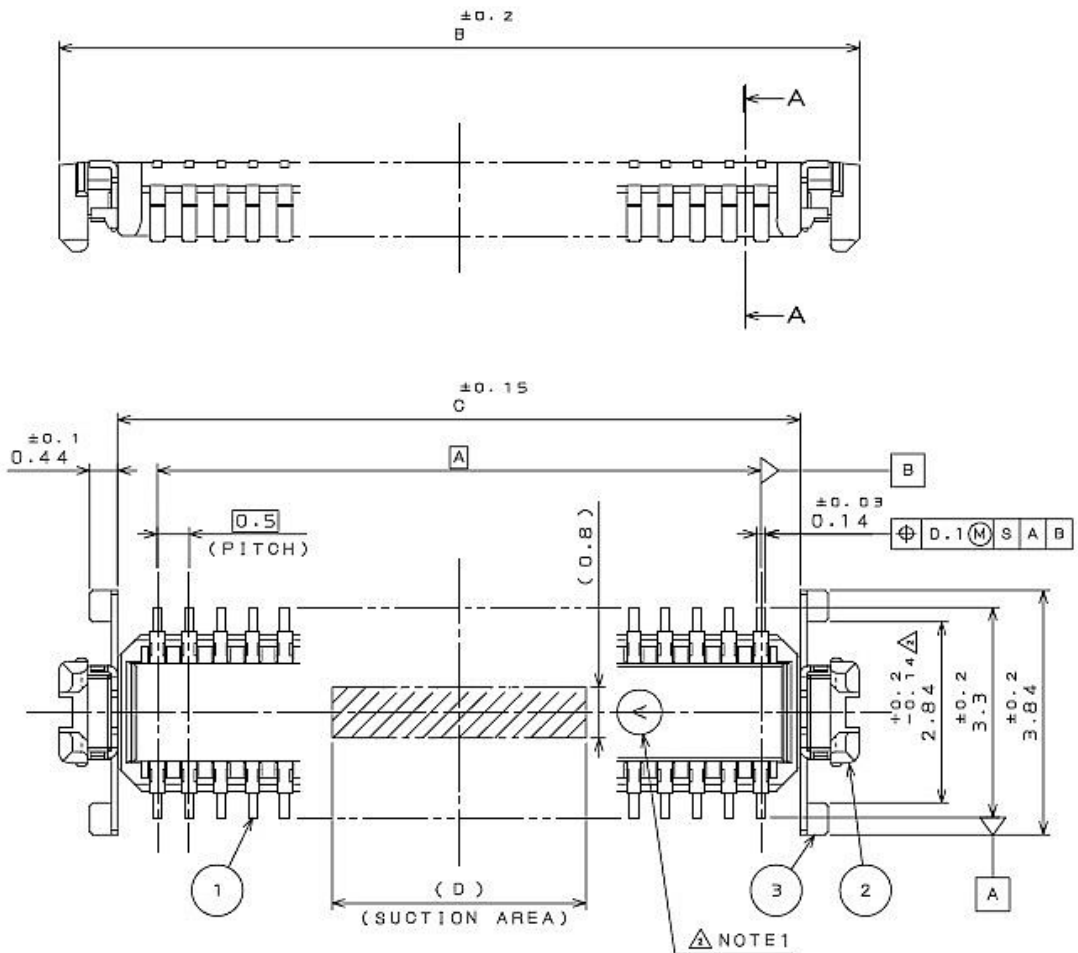
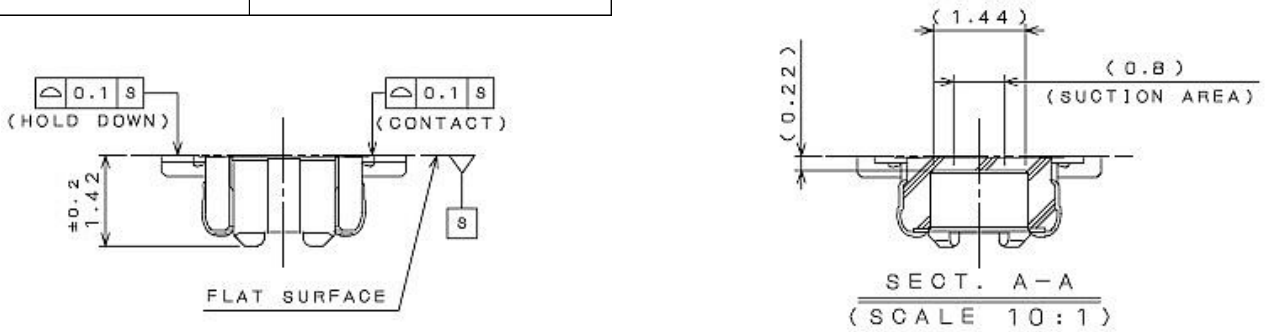


(Note 1) An embossed tape reel contains 3000 pieces.

For information on emboss taping specifications, please contact us directly.

Plug

<b>Part Number</b>	<b>AA01A-P***VA1</b>
<b>SJ Drawing</b>	<b>SJ036738</b>



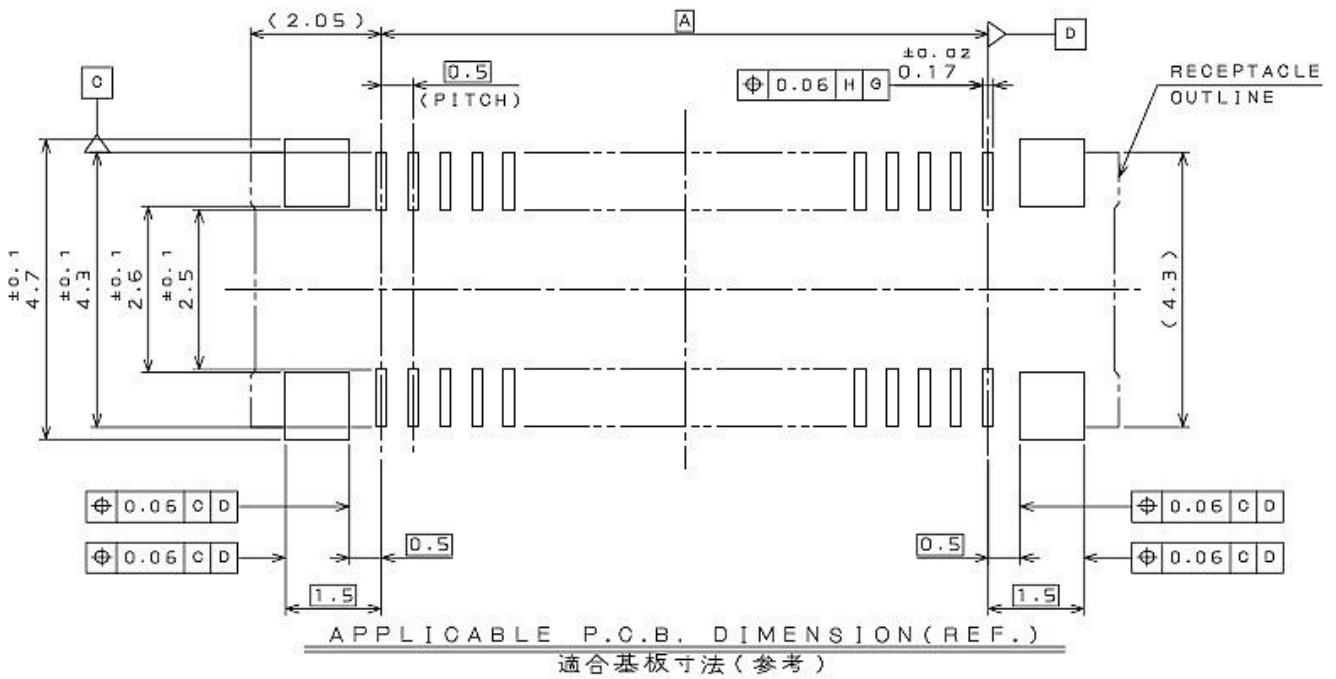
名称 (TITLE)	A	B	C	D
AA01A-P010VA1	2.0	5.1	3.24	2.0
AA01A-P030VA1	7.0	10.1	8.24	2.0
AA01A-P040VA1	9.5	12.6	10.74	4.0
AA01A-P060VA1	14.5	17.6	15.74	4.0

Note 1) Coplanarity 0.1 mm max.

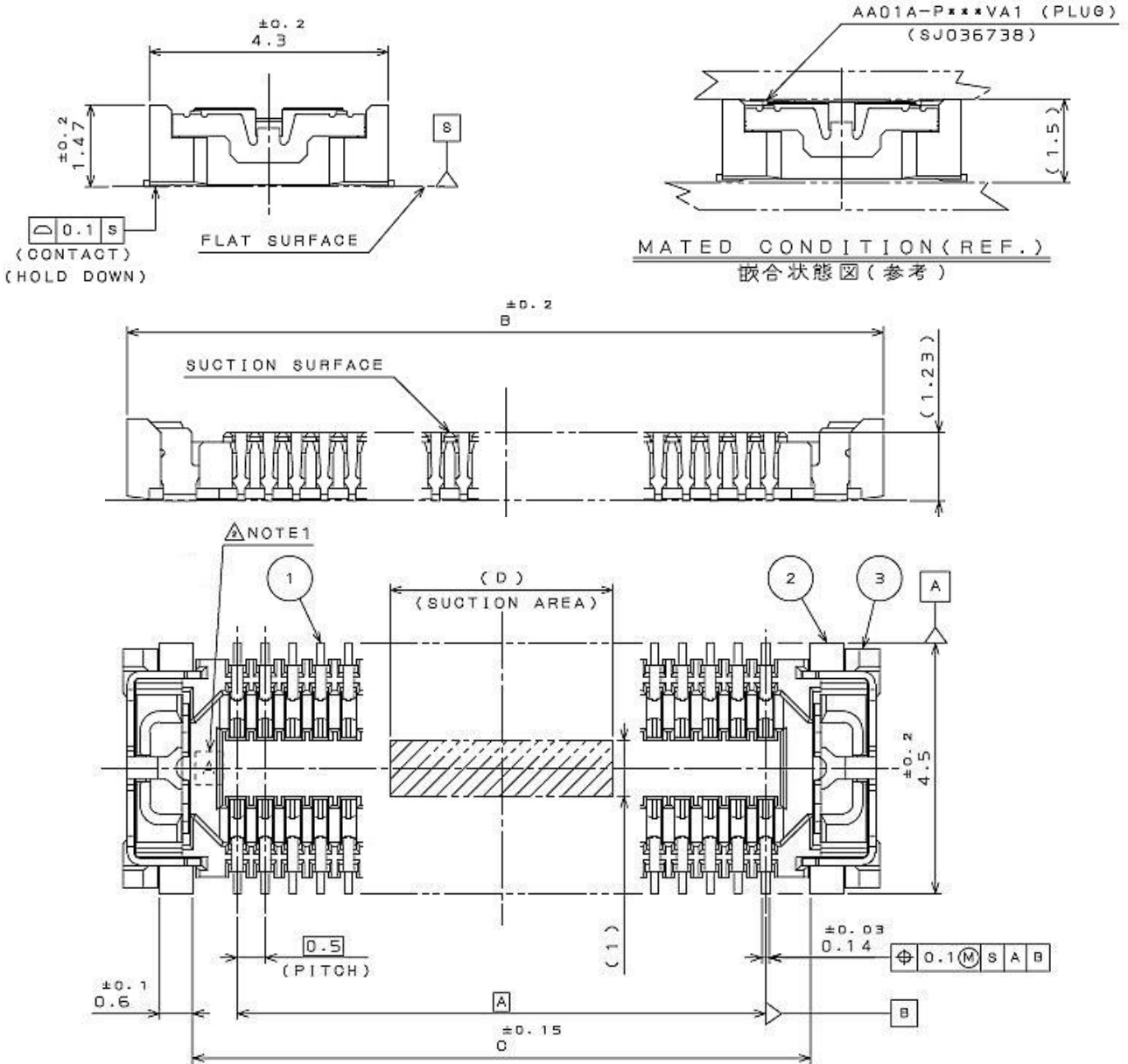
Note 2) An embossed tape reel contains 3000 pieces.

Please contact us for details of embossed tape specifications

<b>Part Number</b>	<b>AA01A-P***VA1</b>
<b>SJ Drawing</b>	<b>SJ036738</b>



<b>Part Number</b>	<b>AA01A-S***VA1</b>
<b>SJ Drawing</b>	<b>SJ036740</b>

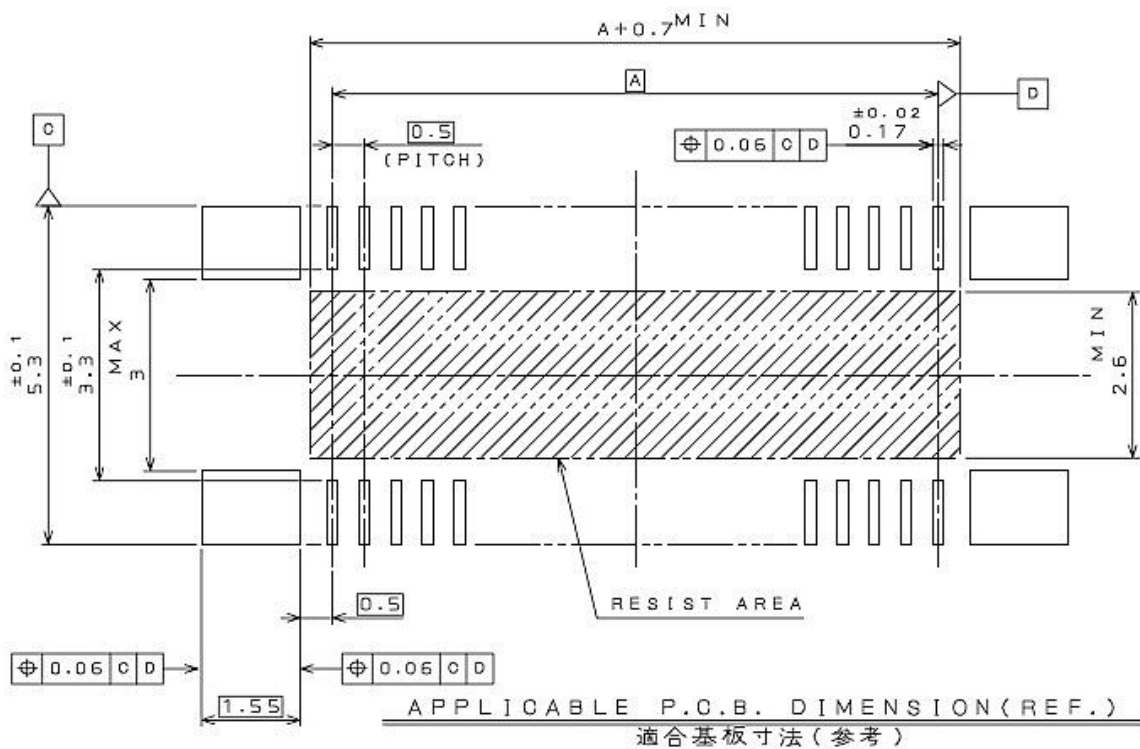


Note 1) Coplanarity 0.1 mm max.

Note 2) An embossed tape reel contains 3000 pieces.

Please contact us for details of embossed tape specifications

<b>Part Number</b>	<b>AA01A-S***VA1</b>
<b>SJ Drawing</b>	<b>SJ036740</b>



**Japan Aviation Electronics Industry, Limited**

Product Marketing Division  
 Aobadai Building, 3-1-19, Aobadai, Meguro-ku, Tokyo 153-8539  
 Phone: +81-3-3780-2787 FAX: +81-3-3780-2946

**Notice:** Products shown in this brochure are made for the applications listed below. However, if the above-mentioned products are to be used in aerospace devices, marine cable-connection devices, atomic power control systems, medical equipment for life-support systems, or any other specific application requiring extremely high reliability, please contact JAE for further information.  
 Recommended applications: Computers, Office machines, Measuring devices, Telecommunication devices (Terminals, Mobile devices), AV devices, Household applications, FA devices, etc.