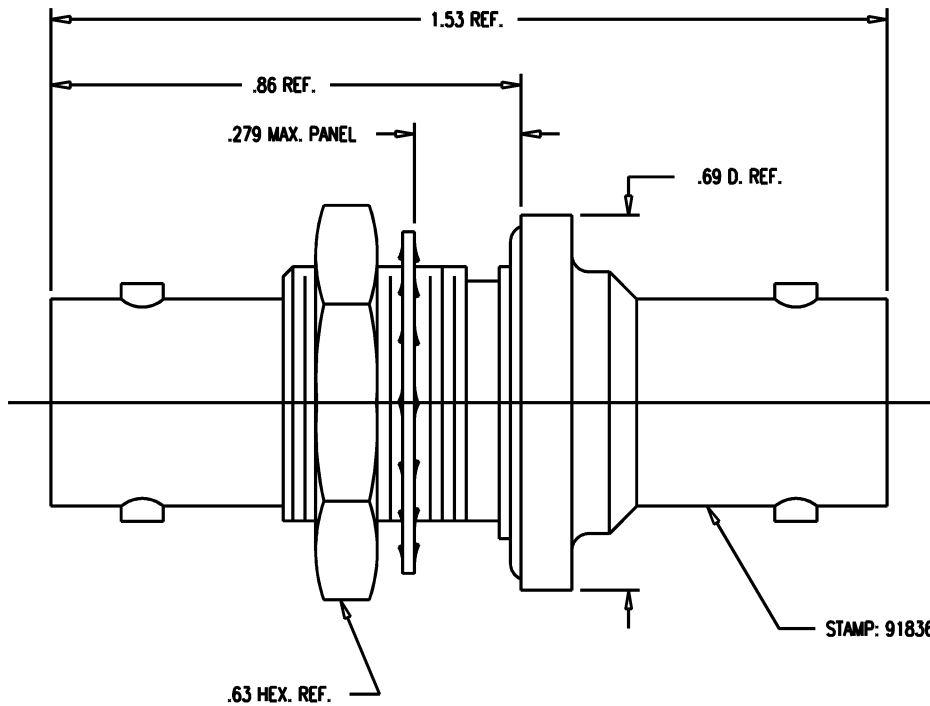


GSD

M55339/13-00492

REVISIONS

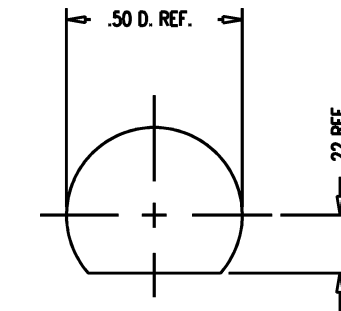
ISSUE	CHANGES
7	CN 35618 D KH 01/09/95



STAMP: 91836 M55339/13-00492
759-2 XXXX (DATE CODE)

NOTES:

- INTERFACE PER MIL-STD-348, FIG. 301-2.
- MATERIALS:**
 INSULATORS: TEFLON, ASTM-D-4894
 GASKET: SILICONE RUBBER, Z2-R-765
 K-GRIP SLEEVE: COMMERCIAL BRONZE, ASTM-B-140
 LOCKWASHER: PHOSPHOR BRONZE, ASTM-B-103
 CENTER CONTACT: BER. COP., ASTM-B-196
 ALL OTHER METAL PARTS: BRASS, ASTM-B16
- FINISHES:**
 CENTER CONTACT: GOLD PLATE PER MIL-G-45204
 ALL OTHER METAL PARTS: SILVER PLATE PER QQ-S-365
- ELECTRICAL CHARACTERISTICS:**
 NOMINAL IMPEDANCE: 50 OHMS
 FREQUENCY RANGE: DC TO 4 GHZ
 WORKING VOLTAGE: 500 VRMS
- ENVIRONMENTAL**
 UNIT WILL SHOW NO LEAKAGE AT 50 P.S.I.
 LEAKAGE RATE SHALL NOT EXCEED 1×10^{-7} cc/sec OF
 TRACER GAS AT ATMOSPHERIC PRESSURE



MOUNTING HOLE

GSD

KAM6258

SCALE 4:1	
APPROX SURFACE AREA	
759-2	
USED ON	
REF:	
ADAPTER, F-F, BULKHEAD, HERMETIC SEAL, BNC	
DRAWN KH	DATE/01/95
DESIGN MJB	DATE/02/95
APPR.	DATE

KINGS
ELECTRONICS CO., INC.
TUCKAHOE, NEW YORK 10707

M55339/13-00492