

PLEASE CHECK WWW.MOLEX.COM FOR LATEST PART INFORMATION

Part Number: **0674921620**
Status: **Active**
Overview: serial ata 127 host receptacles
Description: 1.27mm (.050") Pitch Serial ATA Host Receptacle, Right Angle, SMT, Mating Height 4.45mm (.175"), Gold (Au) Flash, without Cap, 22 Circuits, Embossed Tape on Reel Packaging, Lead Free

Documents:

[3D Model](#) [RoHS Certificate of Compliance \(PDF\)](#)
[Drawing \(PDF\)](#)

General

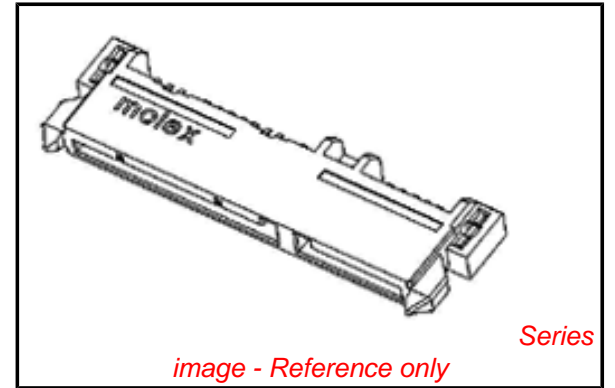
Product Family	PCB Receptacles
Series	67492
Application	Board-to-Board
Overview	serial ata 127 host receptacles
Product Name	Serial ATA

Physical

Circuits (Loaded)	22
Circuits (maximum)	22
Color - Resin	Black
Durability (mating cycles max)	500
Glow-Wire Compliant	No
Guide to Mating Part	Yes
Keying to Mating Part	Yes
Lock to Mating Part	None
Material - Metal	Copper Alloy
Material - Plating Mating	Gold
Material - Plating Termination	Tin
Material - Resin	High Temperature Thermoplastic
Number of Rows	1
Orientation	Right Angle
PCB Locator	Yes
PCB Retention	Yes
PCB Thickness Recommended (in)	0.045 In
PCB Thickness Recommended (mm)	1.20 mm
Packaging Type	Embossed Tape on Reel
Pitch - Mating Interface (in)	0.050 In
Pitch - Mating Interface (mm)	1.27 mm
Pitch - Term. Interface (in)	0.050 In
Pitch - Term. Interface (mm)	1.27 mm
Plating min: Mating (µin)	2
Plating min: Mating (µm)	0.05
Plating min: Termination (µin)	50
Plating min: Termination (µm)	1.27
Polarized to Mating Part	Yes
Polarized to PCB	Yes
Stackable	No
Temperature Range - Operating	-35°C to +85°C
Termination Interface: Style	Surface Mount

Electrical

Current - Maximum per Contact	1.5A
Voltage - Maximum	15V DC



EU RoHS

**ELV and RoHS
Compliant**
**REACH SVHC
Not Reviewed**
**Halogen-Free
Status**

China RoHS



**Need more information on product
environmental compliance?**

Email productcompliance@molex.com
For a multiple part number RoHS Certificate of Compliance, [click here](#)

Please visit the [Contact Us](#) section for any non-product compliance questions.

Search Parts in this Series

[67492Series](#)

Mates With

[87703](#) , [87672](#) Serial ATA Plugs

Material Info

Reference - Drawing Numbers

Packaging Specification

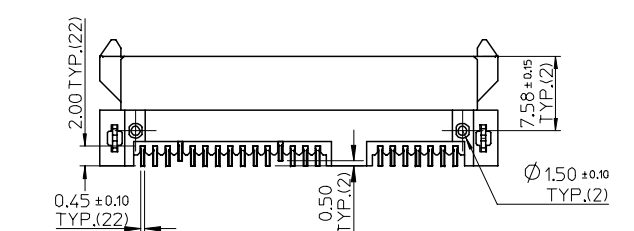
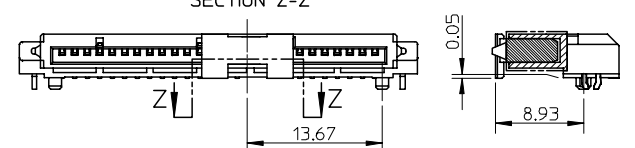
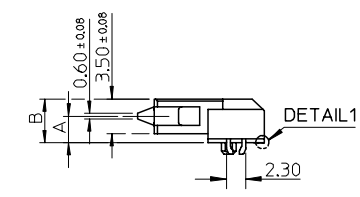
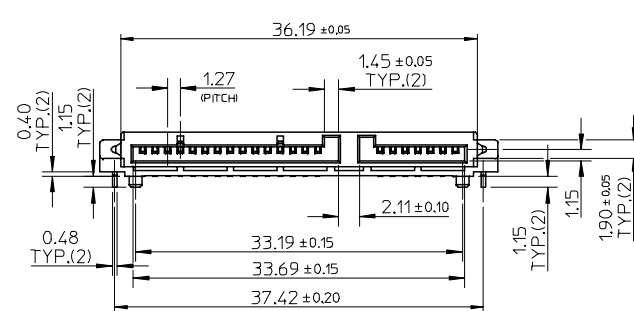
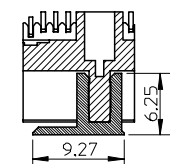
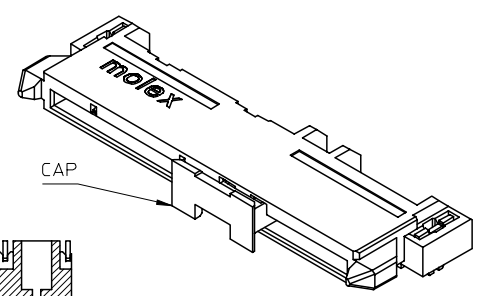
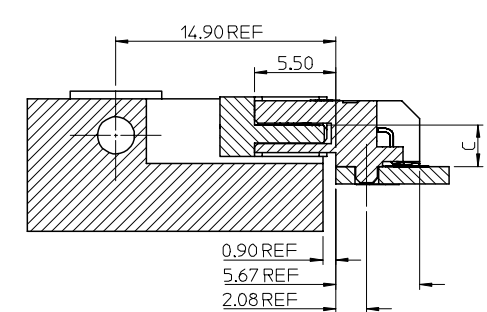
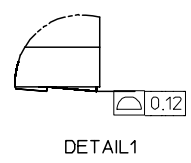
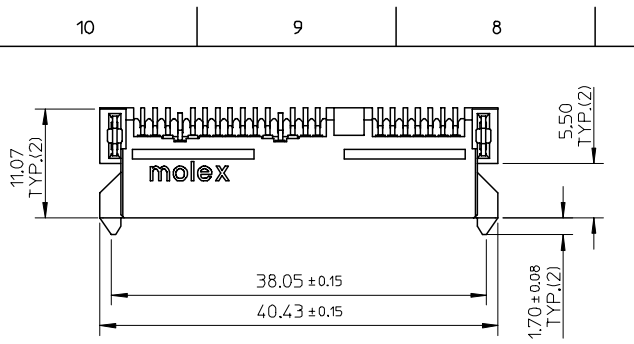
PK-67492-005

Sales Drawing

SD-67492-008

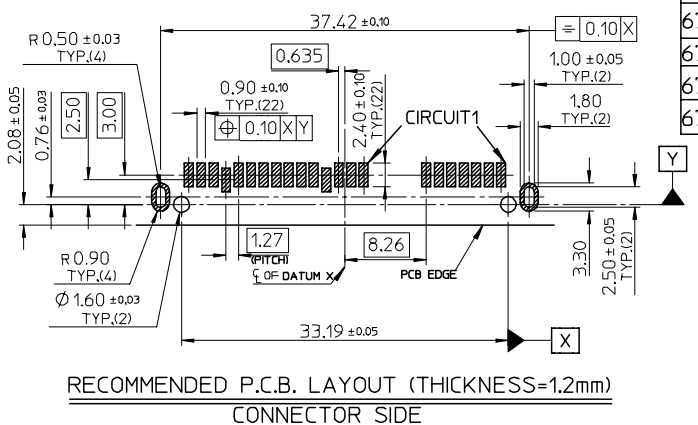
This document was generated on 05/31/2010

PLEASE CHECK WWW.MOLEX.COM FOR LATEST PART INFORMATION



P/N	PLATING	DIM'A'	DIM'B'	DIM'C'	HUSING COLOR	REMARK
67492-1630	NOTES 2 (A)					
67492-1631	NOTES 2 (B)	2.70	4.45	2.80	BLACK	WITH CAP
67492-1632	NOTES 2 (C)					
67492-1730	NOTES 2 (A)					
67492-1731	NOTES 2 (B)	1.95	3.70	2.05	WHITE	WITH CAP
67492-1732	NOTES 2 (C)					
67492-1620	NOTES 2 (A)					
67492-1621	NOTES 2 (B)	2.70	4.45	2.80	BLACK	WITHOUT CAP
67492-1622	NOTES 2 (C)					
67492-1720	NOTES 2 (A)					
67492-1721	NOTES 2 (B)	1.95	3.70	2.05	WHITE	WITHOUT CAP
67492-1722	NOTES 2 (C)					

- NOTES:
- MATERIAL: HOUSING: HIGH TEMPERATURE THERMAL PLASTIC, UL94V-0, COLOR: REFER TO TABLE IN SHEET 2. TERMINAL: COPPER ALLOY; FORKLOCK: COPPER ALLOY.
 - TERMINAL PLATING : CONTACT AREA: (A) GOLD FLASH; (B) GOLD, THICKNESS=0.76 MICRONS MINIMUM; (C) GOLD, THICKNESS=0.38 MICRONS MINIMUM; SOLDER AREA: TIN, THICKNESS=1.27 MICRONS MINIMUM; UNDER PLATE: NICKEL, THICKNESS=1.27 MICRONS MINIMUM.
 - FORKLOCK PLATING: SOLDER AREA: TIN, THICKNESS=1.27 MICRONS MINIMUM; UNDER PLATE: NICKEL, THICKNESS=1.27 MICRONS MINIMUM.
 - PRODUCT SPECIFICATION: REFER TO PS-67492-001.
 - PACKAGING METHOD: TAPE REEL, 67492-163* REFER TO PK-67492-005; 67492-173* REFER TO PK-67492-006.
 - MATING PARTS: 87703/87672.



RTM	EC NO: 2006/02/08	DRWN: LLLI 2006/02/28	CHKD: 2006/02/28	APPR: GRMA 2006/03/01
REV	DESCRIPTION	QUALITY SYMBOLS		
		▽=0		
		▽=0		

GENERAL TOLERANCES (UNLESS SPECIFIED)	mm		INCH	
	4 PLACES	± ---	± ---	
	3 PLACES	± ---	± ---	
	2 PLACES	± 0.15	± ---	
	1 PLACE	± 0.25	± ---	
	ANGULAR ± 3 °			
DRAFT WHERE APPLICABLE MUST REMAIN WITHIN DIMENSIONS				

DIMENSION STYLE		SCALE		DESIGN UNITS		THIRD ANGLE PROJECTION	
MM ONLY		2:1		METRIC			
DRAWN BY	DATE	TITLE					
DIXON LI	2005/12/22	SATA HOST RECEPTACLE					
CHECKED BY	DATE	R/A SMT TYPE					
JANNY ZENG	2005/12/22	-LEAD FREE-					
APPROVED BY	DATE	MOLEX INCORPORATED					
GRATE MA	2005/12/22						
MATERIAL NO.	DOCUMENT NO.	SD-67492-008				SHEET NO.	
						1 OF 1	