

This errata is applicable to the following devices:

- AT89S8252
- AT89LS8252
- AT89S53
- AT89LS53

with the following markings and needs to be used in conjunction with the corresponding device datasheets.



## Microcontrollers

### AT89S8252 AT89LS8252 AT89S53 AT89LS53 Errata Sheet



AT89S8252

24XX

XXXX



AT89LS8252

12XX

XXXX



AT89S53

24XX

XXXX



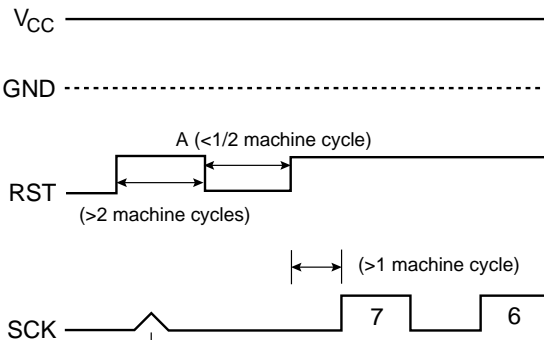
AT89LS53

12XX

XXXX

Regarding the in-system programming procedure, ATMEL currently recommends the following ISP waveforms for implementing the ISP programming algorithm in the AT89S-series devices:

( $V_{CC}$  should be powered up and stable PRIOR to the waveforms below)



This glitch MAY occur in certain systems because when RST goes high, port 1 pins will be driven with a strong pullup for one clock cycle; if the glitch does occur, it can be interpreted incorrectly as the first SCK pulse of a serial data stream. So the falling edge of RST at point A is necessary to "clean-up" the internal state machine.

These waveforms should be used in addition to the serial downloading waveforms shown in the respective device datasheets.



## ISP Line Driving Contention

The Atmel AT89S microcontrollers use three SPI lines to implement in-system programming (ISP). When the ISP programmer asserts the RESET line, the target AT89S microcontroller is supposed to tri-state all I/O pins including the SPI lines and then wait for commands from the programmer. Experiments using AT89S devices have shown that if the user code writes to any of the ISP I/O pins (MOSI, MISO, SCK) within approximately 500 ms of the user code coming out of RESET condition, any subsequent serial programming operation fails. The problem is then that the only way to re-program the device successfully is to physically remove it from the target board and erase it in a parallel programmer.

## The Solution

Make sure that the user code does not access any of the ISP I/O pins within 500 ms of coming out of RESET condition.



## Atmel Headquarters

### *Corporate Headquarters*

2325 Orchard Parkway  
San Jose, CA 95131  
TEL (408) 441-0311  
FAX (408) 487-2600

### *Europe*

Atmel U.K., Ltd.  
Coliseum Business Centre  
Riverside Way  
Camberley, Surrey GU15 3YL  
England  
TEL (44) 1276-686-677  
FAX (44) 1276-686-697

### *Asia*

Atmel Asia, Ltd.  
Room 1219  
Chinachem Golden Plaza  
77 Mody Road Tsimhatsui  
East Kowloon  
Hong Kong  
TEL (852) 2721-9778  
FAX (852) 2722-1369

### *Japan*

Atmel Japan K.K.  
9F, Tonetsu Shinkawa Bldg.  
1-24-8 Shinkawa  
Chuo-ku, Tokyo 104-0033  
Japan  
TEL (81) 3-3523-3551  
FAX (81) 3-3523-7581

## Atmel Operations

### *Atmel Colorado Springs*

1150 E. Cheyenne Mtn. Blvd.  
Colorado Springs, CO 80906  
TEL (719) 576-3300  
FAX (719) 540-1759

### *Atmel Rousset*

Zone Industrielle  
13106 Rousset Cedex  
France  
TEL (33) 4-4253-6000  
FAX (33) 4-4253-6001

---

### *Fax-on-Demand*

North America:  
1-(800) 292-8635  
International:  
1-(408) 441-0732

### *e-mail*

literature@atmel.com

### *Web Site*

<http://www.atmel.com>

### *BBS*

1-(408) 436-4309

### © Atmel Corporation 1999.

Atmel Corporation makes no warranty for the use of its products, other than those expressly contained in the Company's standard warranty which is detailed in Atmel's Terms and Conditions located on the Company's web site. The Company assumes no responsibility for any errors which may appear in this document, reserves the right to change devices or specifications detailed herein at any time without notice, and does not make any commitment to update the information contained herein. No licenses to patents or other intellectual property of Atmel are granted by the Company in connection with the sale of Atmel products, expressly or by implication. Atmel's products are not authorized for use as critical components in life support devices or systems.

Marks bearing ® and/or ™ are registered trademarks and trademarks of Atmel Corporation.

Terms and product names in this document may be trademarks of others.



Printed on recycled paper.

1486A-10/99/xM