

**PLEASE CHECK WWW.MOLEX.COM FOR LATEST PART INFORMATION**

**Part Number:** [5016163585](#)  
**Status:** **Active**  
**Description:** 0.30mm (.012") Pitch Easy-On™ Type FPC Connector, 1.10mm (.043") Mated Height, Right Angle, SMT, ZIF, Top Contact Style, 35 Circuits, Lead-free

**Documents:**

[3D Model](#) [Product Specification PS-501616-003 \(PDF\)](#)  
[Drawing \(PDF\)](#) [RoHS Certificate of Compliance \(PDF\)](#)

**General**

Product Family FFC/FPC Connectors  
 Series [501616](#)  
 Product Name Easy-On™

**Physical**

Circuits (Loaded) 35  
 Color - Resin Black, Gray  
 Contact Position Top  
 Durability (mating cycles max) 10  
 Entry Angle 90° Angle  
 Mated Height (in) 0.043 In  
 Mated Height (mm) 1.10 mm  
 Material - Metal Copper Alloy  
 Material - Plating Mating Gold  
 Number of Rows 1  
 Orientation Right Angle  
 PCB Locator No  
 PCB Retention Yes  
 Packaging Type Embossed Tape on Reel  
 Pitch - Mating Interface (in) 0.012 In  
 Pitch - Mating Interface (mm) 0.30 mm  
 Polarized to PCB Yes  
 Stackable No  
 Temperature Range - Operating -40°C to +85°C  
 Termination Interface: Style Surface Mount  
 Wire/Cable Type FPC only

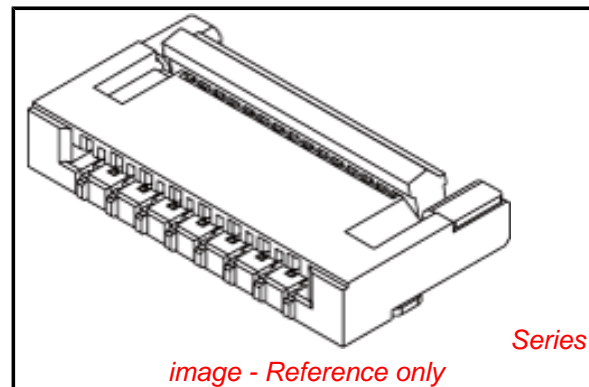
**Electrical**

Current - Maximum per Contact 0.2A  
 Voltage - Maximum 50V AC (RMS)/DC

**Material Info**

**Reference - Drawing Numbers**

Product Specification PS-501616-003, RPS-501616-004, RPS-501616-008, RPS-501616-009  
 Sales Drawing SD-501616-007, SD-501616-008



*image - Reference only*

**EU RoHS**

**ELV and RoHS Compliant**  
**REACH SVHC**  
 Not Reviewed  
**Halogen-Free Status**  
**Not Reviewed**

**China RoHS**

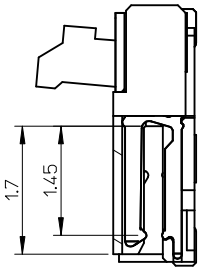
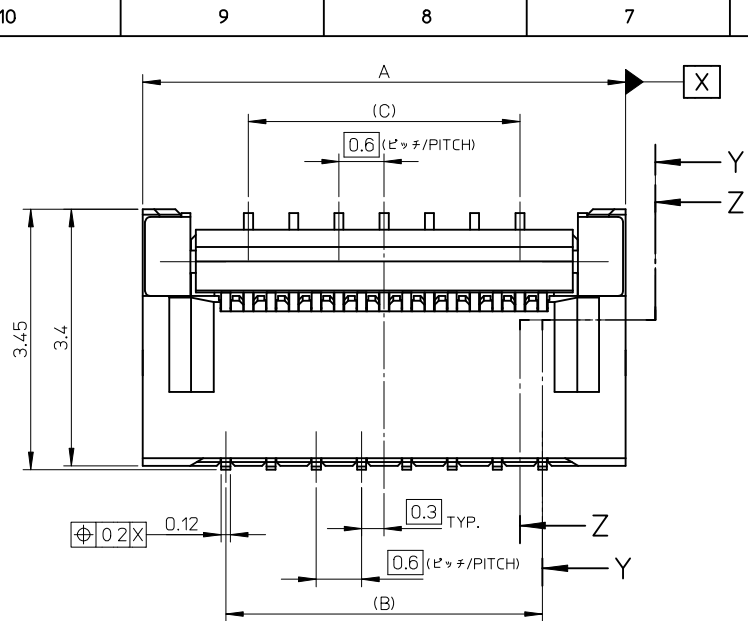


**Need more information on product environmental compliance?**

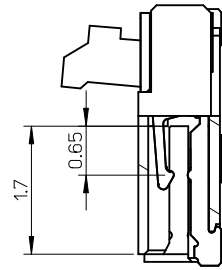
Email [productcompliance@molex.com](mailto:productcompliance@molex.com)  
 For a multiple part number RoHS Certificate of Compliance, [click here](#)

Please visit the [Contact Us](#) section for any non-product compliance questions.

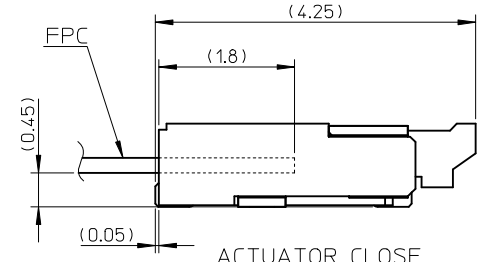
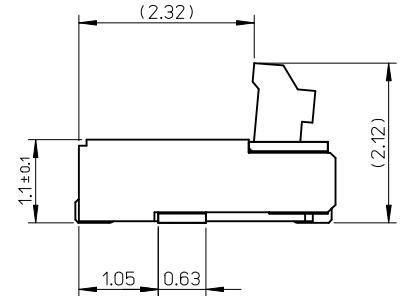
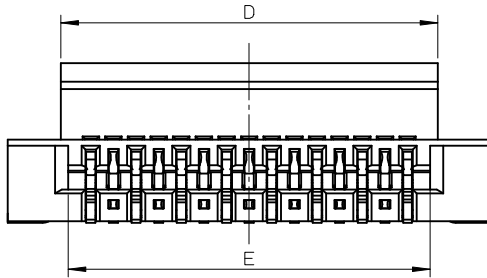
**Search Parts in this Series**  
[501616Series](#)



SECTION Z-Z



SECTION Y-Y

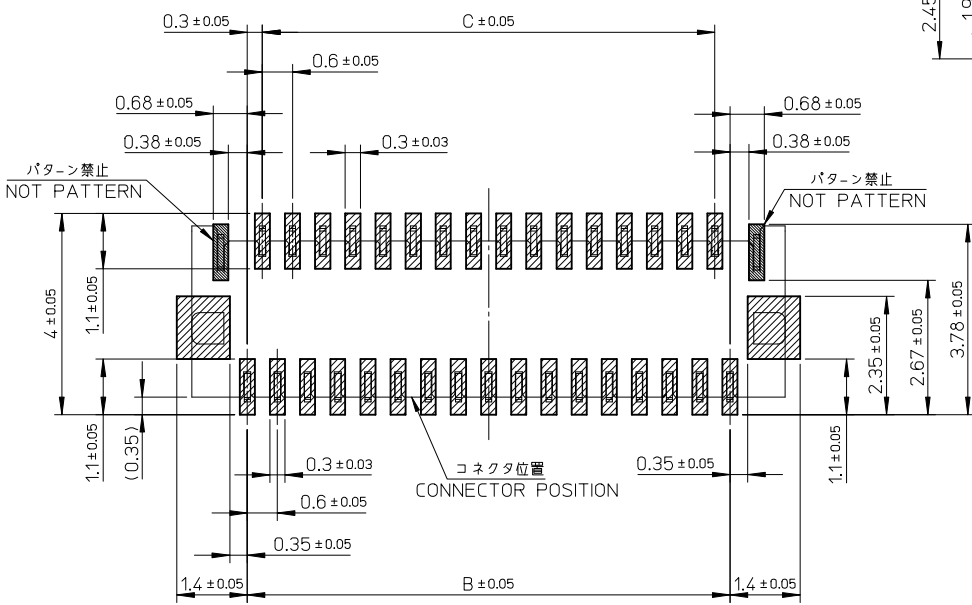


ACTUATOR CLOSE

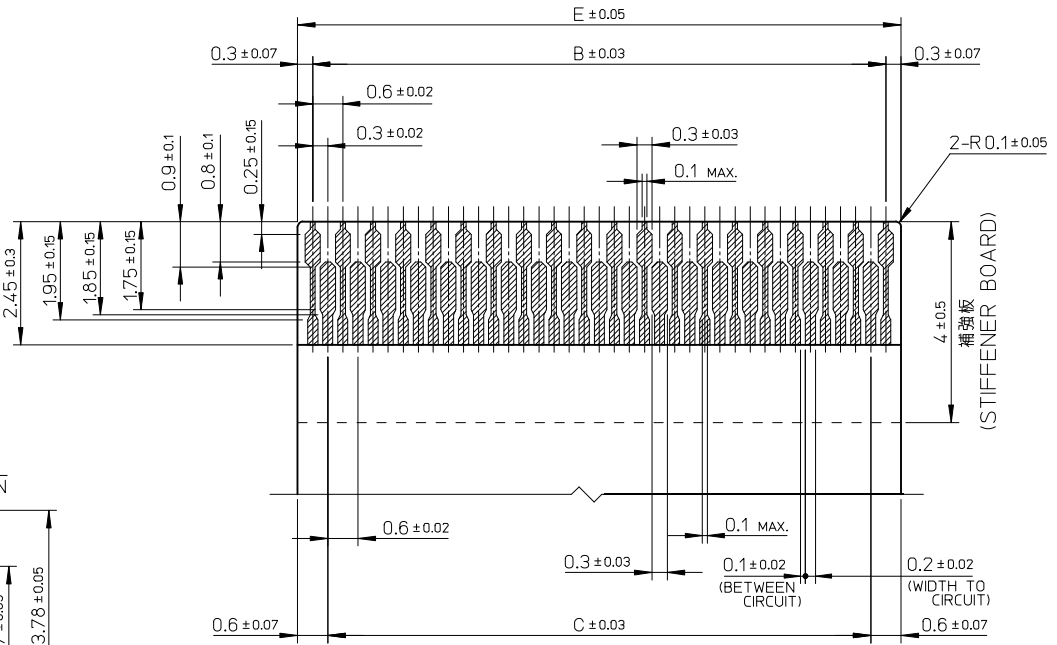
15.6	15.8	14.4	15.0	17.2	501616-5185	501616-5150	51
13.8	14.0	12.6	13.2	15.4	501616-4585	501616-4550	45
12.6	12.8	11.4	12.0	14.2	501616-4185	501616-4150	41
12.0	12.2	10.8	11.4	13.6	501616-3985	501616-3950	39
10.8	11.0	9.6	10.2	12.4	501616-3585	501616-3550	35
E	D	(C)	(B)	A	EMBOSSED TAPE ORDER No.		MATERIAL NO. CIRCUIT

- 部品構成
- ハウジング・・・材質：耐熱性樹脂 黒色 UL94V-0  
HOUSING MATERIAL:HEAT RESISTANT POLYMER BLACK UL94-V0
  - 奇数ターミナル・・・材質：銅合金  
ODD TERMINAL MATERIAL :COPPER ALLOY  
処理：ニッケル下地部分金メッキ（接触部及びテール部）  
FINISH :PARTLY GOLD(CONTACT,TAIL) OVER NICKEL PLATING
  - 偶数ターミナル・・・材質：銅合金  
EVEN TERMINAL MATERIAL:COPPER ALLOY  
処理：ニッケル下地部分金メッキ（接触部及びテール部）  
FINISH :PARTLY GOLD(CONTACT,TAIL) OVER NICKEL PLATING
  - アクチュエータ・・・材質：耐熱性樹脂 灰色 UL94V-0  
ACTUATOR MATERIAL :HEAT RESISTANT POLYMER GRAY UL94-V0
  - ネイル・・・材質：銅合金  
NAIL MATERIAL:COPPER ALLOY  
処理：ニッケル下地すずめっき  
FINISH :TIN OVER NICKEL PLATING

REVISED EC NO: J2009-1320 DRAWN:TAKAHASHI 03/2008/11/21 CHKD:THARUYAMA 2008/11/21 APPR:NIKIITA 2008/11/21	DESCRIPTION	GENERAL TOLERANCES (UNLESS SPECIFIED)		DIMENSION STYLE MM ONLY		SCALE 15:1	DESIGN UNITS METRIC	THIRD ANGLE PROJECTION	
		10 UNDER	± 0.2	DRAWN BY K.SATO	DATE 2007/01/26	TITLE 0.3 FPC CONN. E/O H=1.1 HSG ASSY LONG ACTUATOR			
		10 OVER 30 UNDER	± 0.25	CHECKED BY H.HIRATA	DATE 2007/01/26	MATERIAL NO. DOCUMENT NO.			
		30 OVER	± 0.3	APPROVED BY M.SASAO	DATE 2007/01/26	SHEET NO. 1 OF 2			
REV	ANGULAR	± 3 °	DRAFT WHERE APPLICABLE MUST REMAIN WITHIN DIMENSIONS		SEE CHART		MATERIAL NO. DOCUMENT NO.		
		SIZE A3	THIS DRAWING CONTAINS INFORMATION THAT IS PROPRIETARY TO MOLEX INCORPORATED AND SHOULD NOT BE USED WITHOUT WRITTEN PERMISSION						



参考基板レイアウト (マウント面)  
P.C. BOARD PATTERN DIM.(REF.)



適合FPC推奨寸法  
仕上がり厚さ : 0.2±0.03  
APPLY FPC  
RECOMMENDED DIM.  
THICKNESS : 0.2±0.03

15.6	14.4	15.0	501616-5185	501616-5150	51
13.8	12.6	13.2	501616-4585	501616-4550	45
12.6	11.4	12.0	501616-4185	501616-4150	41
12.0	10.8	11.4	501616-3985	501616-3950	39
10.8	9.6	10.2	501616-3585	501616-3550	35
E	C	B	EMBOSSD TAPE ORDER No.	MATERIAL NO.	CIRCUIT

- 注記
- 基板実装前にアクチュエータを操作しないで下さい。  
PLEASE DO NOT OPERATE THE ACTUATOR BEFORE MOUNTING.  
必ず基板に実装し、FPCを挿入してからアクチュエータを操作して下さい。  
PLEASE OPERATE THE ACTUATOR AFTER MOUNTING ON THE SUBSTRATE, AND MATING FPC.
  - ELV及びRoHS適合品  
ELV AND RoHS COMPLIANT

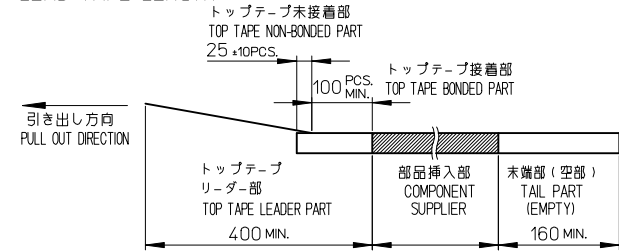
REVISED EC NO: J2009-1320 DRAWN: TAKAHASHI 03 2008/11/21 CHKD: THARUYAMA 2008/11/21 APPR: NUKITA 2008/11/21	GENERAL TOLERANCES (UNLESS SPECIFIED)		DIMENSION STYLE MM ONLY		SCALE 10:1	DESIGN UNITS METRIC	THIRD ANGLE PROJECTION
	10 UNDER	±0.2	DRAWN BY K. SATO	DATE 2007/01/26	TITLE 0.3 FPC CONN. E/O H=1.1 HSG ASSY LONG ACTUATOR		
	10 OVER 30 UNDER	±0.25	CHECKED BY H. HIRATA	DATE 2007/01/26	MATERIAL NO. SEE CHART		
	30 OVER	±0.3	APPROVED BY M. SASAO	DATE 2007/01/26	DOCUMENT NO. SD-501616-007		
	ANGULAR ±3 ° DRAFT WHERE APPLICABLE MUST REMAIN WITHIN DIMENSIONS		SIZE A3		THIS DRAWING CONTAINS INFORMATION THAT IS PROPRIETARY TO MOLEX INCORPORATED AND SHOULD NOT BE USED WITHOUT WRITTEN PERMISSION		

NOTES

1. 製品 (501616-\*\*50) の詳細寸法については、  
図面 SD-501616-007 をご参照下さい。  
IN THE PACKAGE, PART NO. 501616-\*\*50 DETAILED DIMENSIONS,  
REFER TO SALES DRAWING NO. SD-501616-007.

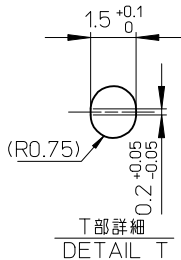
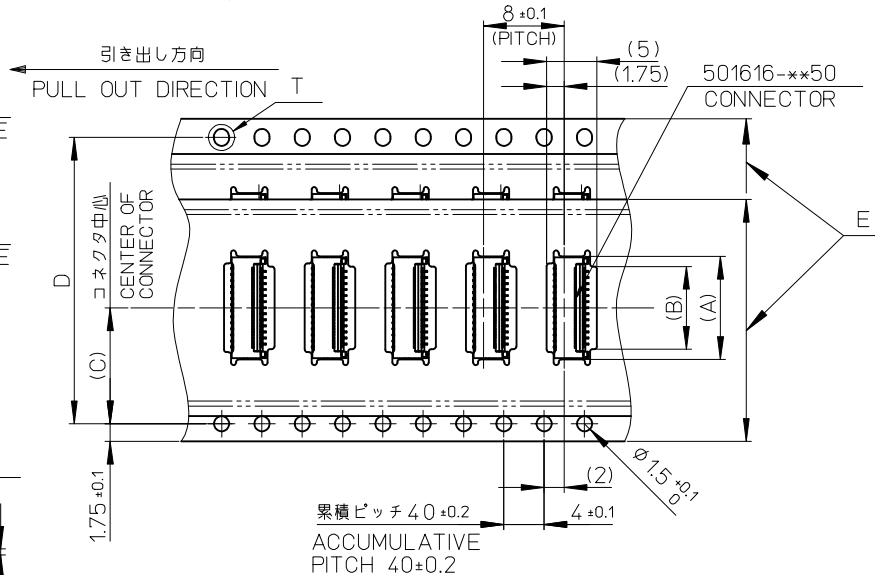
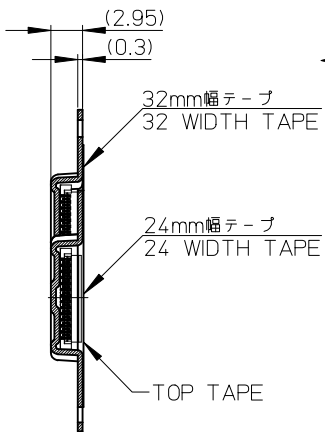
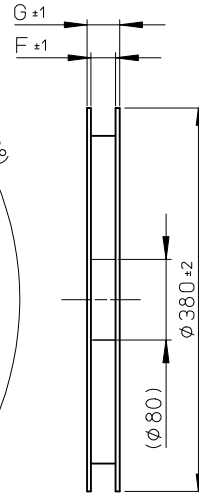
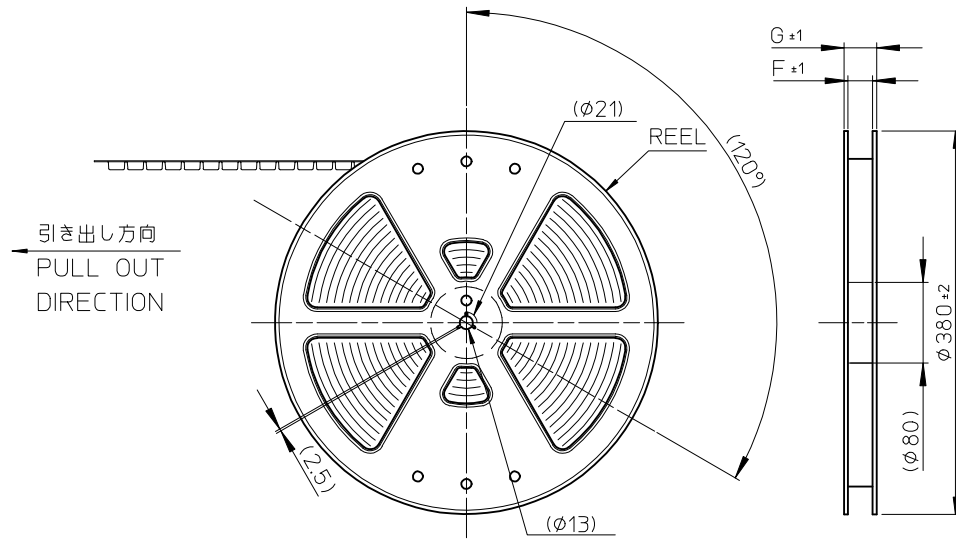
2. 梱包数量 : 3000個/リール  
NUMBER OF CONNECTORS : 3000 PCS/REEL

3. リードテープ長さ  
LEAD TAPE LENGTH



4. 材料  
キャリアテープ : ポリスチレン (PS)  
トップテープ : PET, PE, PEF  
リール : ポリスチレン (PS) <リサイクル材を含む>  
MATERIAL  
CARRIER TAPE : POLYSTYRENE (PS)  
TOP TAPE : PET, PE, PEF  
REEL : POLYSTYRENE (PS) <RECYCLE MATERIAL CONTAINED>  
5. ELV及びRoHS適合品  
ELV AND RoHS COMPLIANT

37.4	33.4	32±0.3	28.4	14.2	15.4	17.4	501616-5185	51
					13.6	15.6	501616-4585	45
29.4	25.4	24±0.3	22	11.5	12.4	14.4	501616-4185	41
					11.8	13.8	501616-3985	39
					10.6	12.6	501616-3585	35
G	F	E キャリアテープ幅 EMBOSSED TAPE WIDTH	D	C	B	A	EMBOSSED PACKAGE オーダー番号 ORDER No.	極数 CIRCUIT



エンボステープ内の製品の向き  
DIRECTION OF CONNECTOR IN  
EMBOSSED TAPE

REVISED	EC NO: J2009-1784	2009/01/26	DRWN:MKAWABATA	2009/01/26	CHKD:HSHIROYAMA	2009/01/26	APPR:HSHIROYAMA	2009/01/26
	GENERAL TOLERANCES (UNLESS SPECIFIED)							
	10 UNDER	± ---						
	10 OVER 30 UNDER	± ---						
30 OVER	± ---							
ANGULAR				± --- °				
DRAFT WHERE APPLICABLE MUST REMAIN WITHIN DIMENSIONS								

DIMENSION STYLE MM ONLY		SCALE ---	DESIGN UNITS METRIC		THIRD ANGLE PROJECTION	
DRAWN BY K. SATO	DATE 2007/05/14	TITLE 0.3 FPC CONN. H=1.1 EMBSTP PKG (LONG-ACT)				
CHECKED BY H. HIRATA	DATE 2007/05/14	MOLEX INCORPORATED				
APPROVED BY M. SASAO	DATE 2007/05/14	DOCUMENT NO. SD-501616-008				SHEET NO. 1 OF 1
SEE CHART						
THIS DRAWING CONTAINS INFORMATION THAT IS PROPRIETARY TO MOLEX INCORPORATED AND SHOULD NOT BE USED WITHOUT WRITTEN PERMISSION						