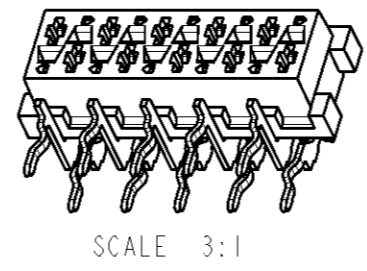
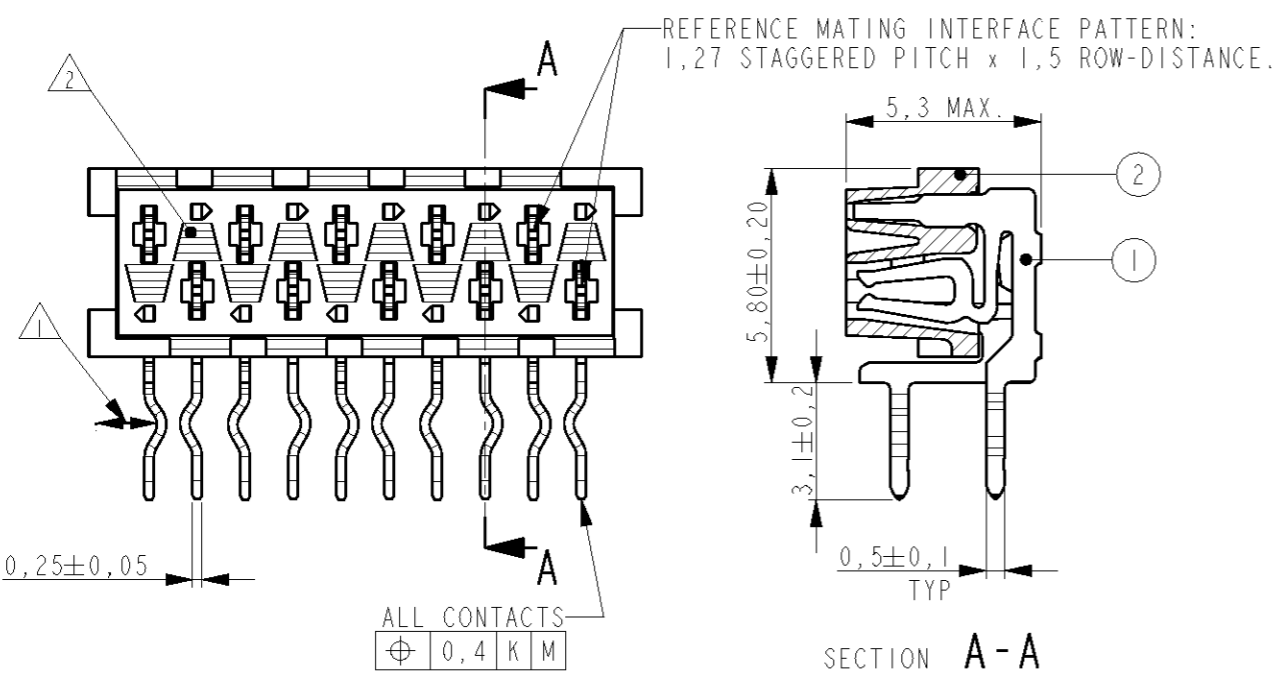
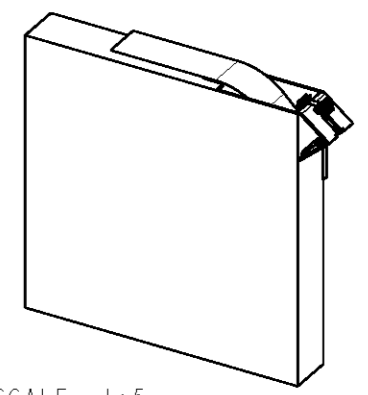


THIS DRAWING IS UNPUBLISHED. RELEASED FOR PUBLICATION 20  
 © COPYRIGHT BY ALL RIGHTS RESERVED.

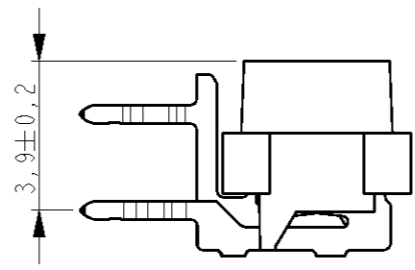
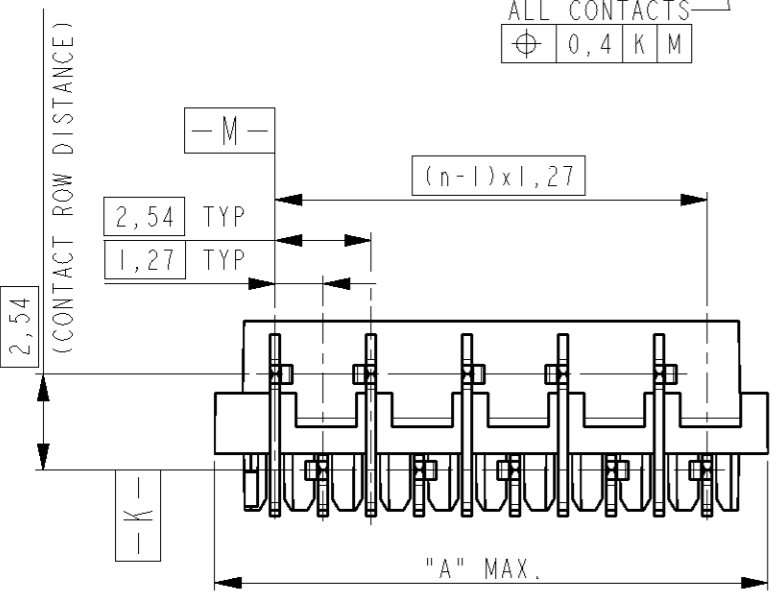
LOC	DIST	REVISIONS					
H	-	P	LTR	DESCRIPTION	DATE	DWN	APVD
		H1		REVISED PER ECO-11-005294	27APR11	RK	HMR



PART NUMBER BOX PACKAGING	PART NUMBER REEL PACKAGING	NR OF POS "n"	"A" MAX
7-100400-4	0-100400-4	4	7.1
7-100400-6	0-100400-6	6	9.7
7-100400-8	0-100400-8	8	12.2
8-100400-0	1-100400-0	10	14.7
8-100400-2	1-100400-2	12	17.3
8-100400-4	1-100400-4	14	19.8
8-100400-6	1-100400-6	16	22.4
8-100400-8	1-100400-8	18	24.9
9-100400-0	2-100400-0	20	27.4

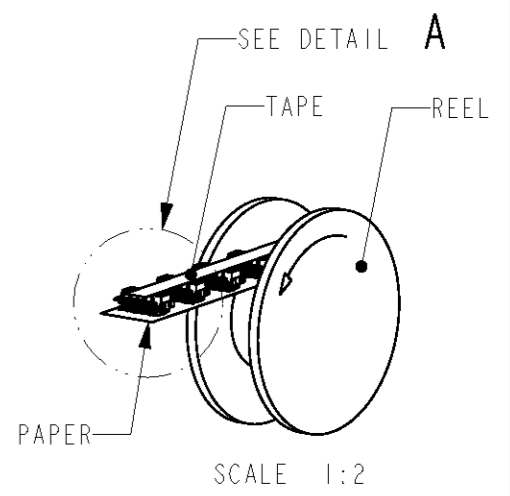
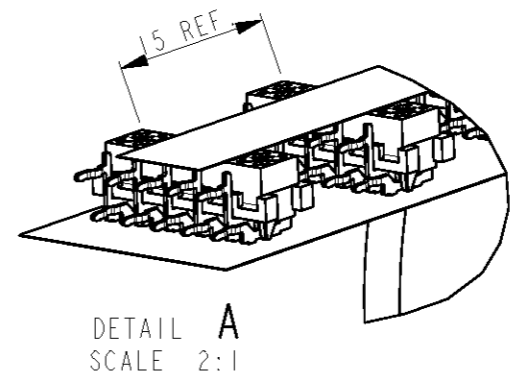


SCALE 1:5  
 BOX PACKAGING:  
 250 CONNECTORS PER BOX  
 FOR ALL PARTNUMBERS



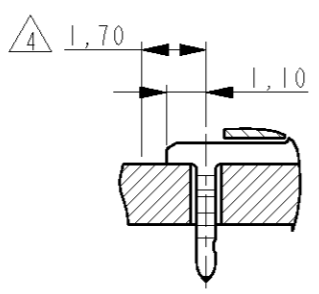
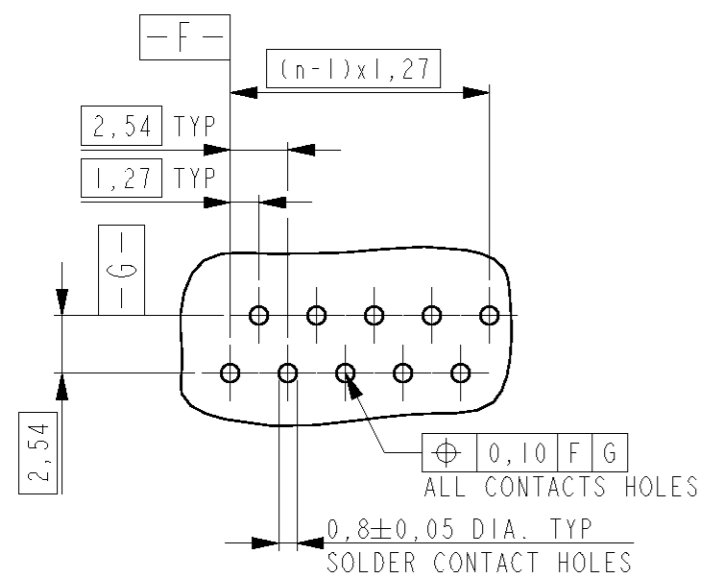
NOTES:

- 1 IN EACH ROW, DIRECTION OF KINKS STARTS RANDOM. IN EACH ROW, SEQUENTIAL CONTACTS HAVE OPPOSITE KINK DIRECTIONS.
- 2 CORING-OUTS FOR MANUFACTURING PURPOSE ONLY. SHAPE MAY VARY, BUT IS NOT FUNCTIONAL FOR THE APPLICATION.
- 3 SHOWN IS A 10 POSITION CONNECTOR.
- 4 THIS AREA IS RESERVED FOR CONTACTS.



REEL PACKAGING  
 DEREEING DIRECTION AND CONNECTOR POSITION.  
 QUANTITY 2500 CONNECTORS PER REEL FOR ALL PARTNUMBERS,  
 EXCEPT 4 POSITION 1500 CONNECTORS PER REEL

PC-BOARD HOLE LAYOUT  
 (COMPONENT SIDE OF BOARD SHOWN)



DIMENSIONS:		TOLERANCES UNLESS OTHERWISE SPECIFIED:	
mm		0 PLC	±-
		1 PLC	±-
		2 PLC	±-
		3 PLC	±-
		4 PLC	±-
		ANGLES	±°
MATERIAL	-	FINISH	-

2	HOUSING	G.F. POLYESTER PBT	RED
1	FEMALE CONTACT	PHOSPHOR BRONZE	TIN OVER NICKEL
ITEM NO.	DESCRIPTION	MATERIAL	FINISH / COLOR
DWN 290CT1991	J.V. DREUMEL		
CHK 290CT1991	H. KOKKEN		
APVD -			
PRODUCT SPEC	108-19052	NAME CONNECTOR, FEMALE-ON-BOARD SIDE-ENTRY, THRU-HOLE, W/O POLARIZATION, Micro-MaTch	
APPLICATION SPEC	-	SIZE	CAGE CODE
		A3	00779
WEIGHT	-	DRAWING NO	RESTRICTED TO
		©=100400	-
CUSTOMER DRAWING		SCALE	SHEET OF REV
		10:1	1 OF 1 H1

