

PLEASE CHECK WWW.MOLEX.COM FOR LATEST PART INFORMATION

Part Number: **0504507125**
Status: **Active**
Description: Circuit Breaker Terminal for 2 AWG, Closed Uninsulated Brazed Barrel, Stud Size 1/4" (M6), Oxygen-Free Copper, Length 32.69mm (1.283")

Documents:

[Drawing \(PDF\)](#) [RoHS Certificate of Compliance \(PDF\)](#)
[Product Specification PS-50449-002 \(PDF\)](#)

General

Product Family	Ring and Spade Terminals
Series	<u>50450</u>
Crimp Quality Equipment	Yes
Mil-Spec	N/A
Product Name	CB (Circuit Breaker)
Type	Rectangular

Physical

Barrel Type	Closed - Brazed
Insulation	None
Material - Plating Mating	Tin
Packaging Type	Bag
Plating min: Mating (µin)	40
Plating min: Mating (µm)	1
Plating min: Termination (µin)	39.37
Stud Size	1/4" (M6)
Termination Interface: Style	Crimp or Compression
Wire Size AWG	2
Wire Size mm ²	26.66 - 42.42

Material Info

Reference - Drawing Numbers

Product Specification	PS-50449-002
Sales Drawing	SD-50450-7*25



Series

image - Reference only

EU RoHS

ELV and RoHS Compliant

REACH SVHC

Not Reviewed

Halogen-Free

Status

Not Reviewed

China RoHS



Need more information on product environmental compliance?

Email productcompliance@molex.com
 For a multiple part number RoHS Certificate of Compliance, [click here](#)

Please visit the [Contact Us](#) section for any non-product compliance questions.

Search Parts in this Series

50450Series

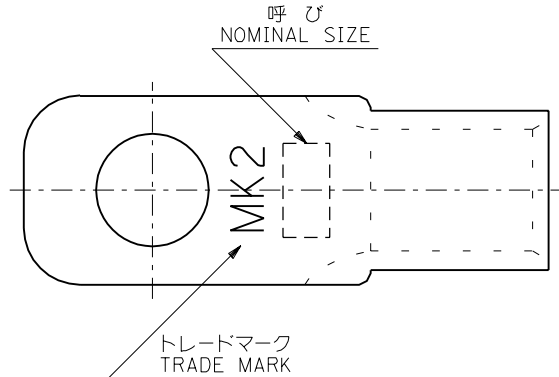
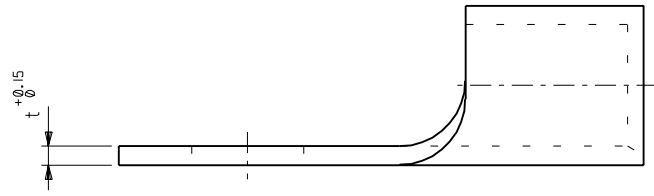
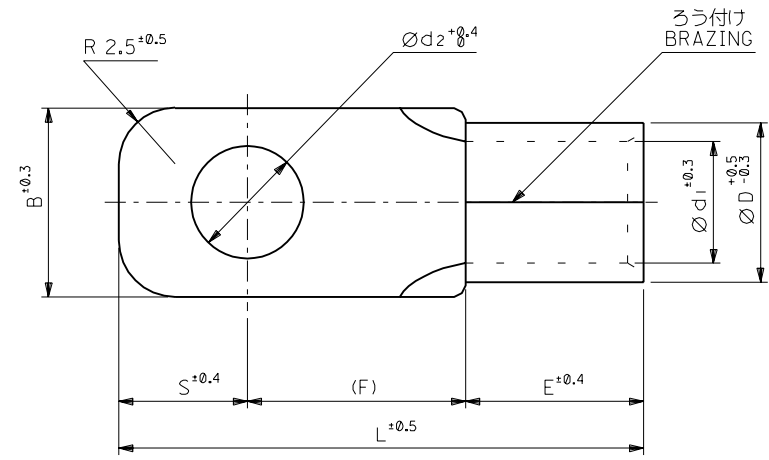
Application Tooling | [FAQ](#)

Tooling specifications and manuals are found by selecting the products below. Crimp Height Specifications are then contained in the Application Tooling Specification document.

Japan

Description	Product #
Battery Type Hand Crimper For JIS Terminal	<u>0573439004</u>

DWG. NO. SD-50450-7*25
 DIMENSIONS IN METRIC DO NOT SCALE DRAWING
 :MM



注記 NOTES

1. 材質 MATERIAL
 端子：無酸素銅、スズメッキ
 TERMINAL: OXYGEN FREE HIGH CONDUCTIVITY COPPER, TIN PLATING
 ろう付け部：りん銅ろう
 PART OF BRAZING: COPPER PHOSPHORUS BRAZING FILLER METALS
2. 適用電線 APPLICABLE WIRE RANGE

単線 SOLID WIRE	撚線 STRANDED WIRE
Ø5.81-7.34 mm	26.66-42.42 mm ²

1.8	6.4	34.85	5.5	16.35	13.0	9.4	13.3	12.5	CB38-6N	50450-7225
	5.3	36.85	7.5					13.5	CB38-6S	50450-7125
									CB38-5S	50450-7025
t	d2	L	S	(F)	E	d1	D	B	呼び NOMINAL SIZE	ENG. NO.

角度 ANGLE	▽30								材料 MATERIAL	注記参照 SEE NOTES
30以上 OVER	±0.5								仕上げ FINISH	注記参照 SEE NOTES
10以上 30未満 UNDER	±0.25								適用電線範囲 WIRE RANGE	注記参照 SEE NOTES
10未満 UNDER	±0.2								被覆外径 INS. RANGE	—
一般公差 GENERAL TOLERANCES									DRAWN BY '98/09/30	CHK'D BY '98/10/02
									H.IIJIMA	T.YAMAGUCHI
									DATE	尺度 SCALE
									M.FUKUSHIMA	—

MOLEX-JAPAN CO.,LTD. 日本モレックス株式会社	
REVISE ONLY ON CAD SYSTEM	
TITLE 名称 RING TERMINAL (FOR BREAKER) (銅線用裸圧着端子) (NON-INSULATED CRIMP-STYLE TERMINAL FOR COPPER CONDUCTORS)	
DWG. NO.	REV
SD-50450-7*25	0