

**PLEASE CHECK WWW.MOLEX.COM FOR LATEST PART INFORMATION**

**Part Number:** [0395221005](#)  
**Status:** **Active**  
**Description:** 5.00mm (.197") Pitch Eurostyle™ Horizontal PCB Header, 5 Circuits

**Documents:**

[3D Model](#) [Product Specification PS-39500-001 \(PDF\)](#)  
[Drawing \(PDF\)](#) [RoHS Certificate of Compliance \(PDF\)](#)

**General**

|                             |                           |
|-----------------------------|---------------------------|
| Product Family              | Terminal Blocks           |
| Series                      | <a href="#">39522</a>     |
| Application                 | Wire-to-Board             |
| Component Type              | PCB Header                |
| Product Literature Order No | USA-355                   |
| Product Name                | ESE, Eurostyle™ Pluggable |
| Type                        | Euro Block                |

**Physical**

|                                |                 |
|--------------------------------|-----------------|
| Circuits (Loaded)              | 5               |
| Entry Angle                    | N/A             |
| Lock to Mating Part            | Yes             |
| Number of Rows                 | 1               |
| Orientation                    | Horizontal      |
| PC Tail Length (in)            | 0.154 In        |
| PC Tail Length (mm)            | 3.90 mm         |
| PCB Thickness Recommended (in) | 0.125 In        |
| PCB Thickness Recommended (mm) | 3.20 mm         |
| Panel Mount                    | No              |
| Pitch - Mating Interface (in)  | 0.197 In        |
| Pitch - Mating Interface (mm)  | 5.00 mm         |
| Polarized to Mating Part       | Yes             |
| Shrouded                       | Closed Ends     |
| Stackable                      | No              |
| Temperature Range - Operating  | -40°C to +105°C |
| Wire Size AWG                  | N/A             |

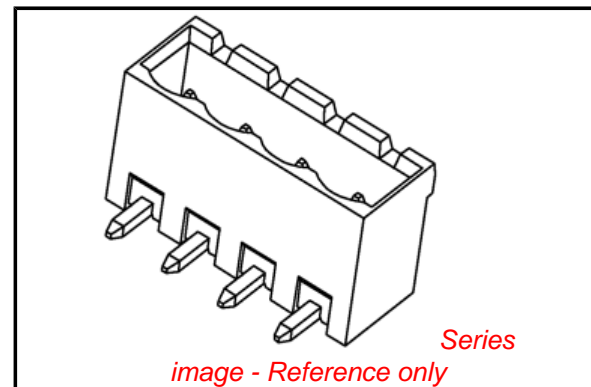
**Electrical**

|                               |      |
|-------------------------------|------|
| Current - Maximum per Contact | 15A  |
| Voltage - Maximum             | 300V |

**Material Info**

**Reference - Drawing Numbers**

|                       |                            |
|-----------------------|----------------------------|
| Product Specification | PS-39500-001               |
| Sales Drawing         | SD-39501-002, SD-39522-002 |



**EU RoHS**

**ELV and RoHS  
Compliant**  
**REACH SVHC**  
 Not Reviewed  
**Halogen-Free  
Status**  
**Not Reviewed**

**China RoHS**



**Need more information on product  
environmental compliance?**

Email [productcompliance@molex.com](mailto:productcompliance@molex.com)  
 For a multiple part number RoHS Certificate of  
 Compliance, [click here](#)

Please visit the [Contact Us](#) section for any  
 non-product compliance questions.

**Search Parts in this Series**

[39522Series](#)

**Mates With**

[39520](#) Horizontal Plug, [39523](#) Vertical  
 Plug, Most 5.00mm (.197") Pitch Industry  
 Standard Plugs

3950X SERIES  
3.50mm HEADERS



3952X & 3954X SERIES  
5.00mm HEADERS  
5.00mm 10 AMP FIXED



3953X SERIES  
5.08mm HEADERS



3951X SERIES  
3.81mm HEADERS



3954X SERIES  
5.00mm 15 AMP FIXED



3954X SERIES  
5.08mm 15 AMP FIXED



NOTES:

- REFER TO INDIVIDUAL PRODUCT SALES DRAWINGS FOR "B" DIMENSION.
- DOES NOT APPLY TO DUAL LEVEL HEADERS, SERIES 39528 AND 39538.
- TYP. = TYPICAL.

INITIAL RELEASE  
EC NO: ETC2007-0096  
DRW: CLYORK 2006/10/02  
CHKD: JMACNEIL 2006/10/04  
APPR: JMACNEIL 2006/10/04

QUALITY SYMBOLS  
 =0  
 =0

GENERAL TOLERANCES (UNLESS SPECIFIED)

|               | mm     | INCH    |
|---------------|--------|---------|
| 4 PLACES      | ± .005 | ± .0005 |
| 3 PLACES      | ± .010 | ± .0010 |
| 2 PLACES      | ± 0.13 | ± .01   |
| 1 PLACE       | ± 0.3  | ± .0125 |
| ANGULAR ± 2 ° |        |         |

DRAFT WHERE APPLICABLE  
MUST REMAIN WITHIN DIMENSIONS

DIMENSION STYLE  
MM/IN

| DRAWN BY    | DATE       |
|-------------|------------|
| C. YORK     | 2006/08/25 |
| CHECKED BY  | DATE       |
| J. MACNEIL  | 2006/08/25 |
| APPROVED BY | DATE       |
| J. MACNEIL  | 2006/08/25 |

MATERIAL NO. --  
SIZE B

SCALE 3:1  
DESIGN UNITS INCH  
THIRD ANGLE PROJECTION

TITLE  
RECOMMENDED PCB LAYOUT FOR ESE TERMINAL BLOCKS

MOLEX INCORPORATED

DOCUMENT NO. SD-39501-002  
SHEET NO. 1 OF 1

THIS DRAWING CONTAINS INFORMATION THAT IS PROPRIETARY TO MOLEX INCORPORATED AND SHOULD NOT BE USED WITHOUT WRITTEN PERMISSION

10 9 8 7 6 5 4 3 2 1

F

E

D

C

B

A

F

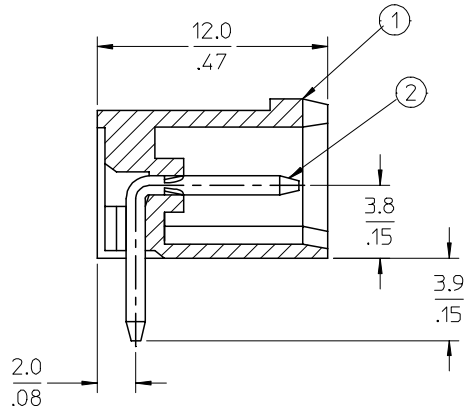
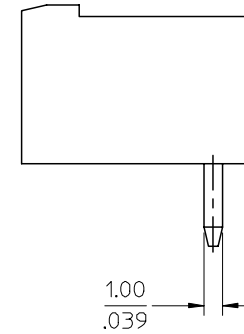
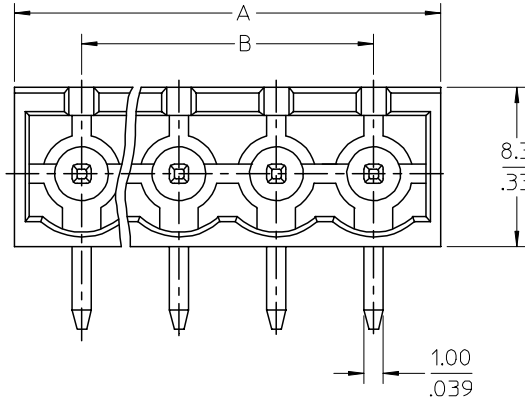
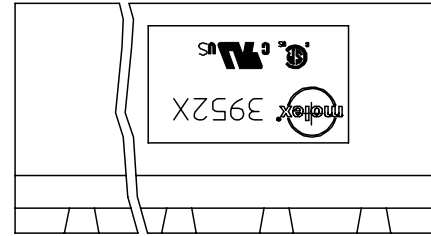
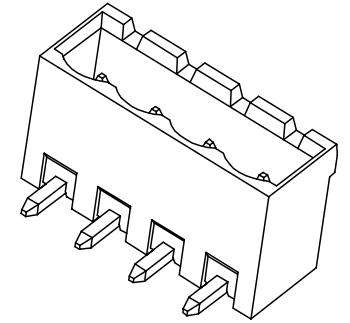
E

D

C

B

A



**SPECIFICATIONS:**

1. Material:
  - (1). Body: PA66
  - (2). Pin: Brass
2. Wire range: N/A
3. Electrical rating: 300V, 15A.
4. Wire strip length: N/A
5. Operating temperature: -40C to +105C.
6. Max torque: N/A
7. Insulation resistance: DC 500V, 500M.
8. Dielectric withstand: AC 2500V for 1 minute.
9. Breakdown voltage: 4000V.
10.  $A = (N \times P) + 2.0\text{mm}$
11.  $B = (N - 1) \times P$
12.  $P$  (PITCH) = 5.0mm (.197").
13.  $N$  = Number of positions available 2 through 24.

| ENTER DESCRIPTION<br>EC NO: NEO2006-0310<br>DRWNL: LROTHAUS 2006/01/09<br>CHKD: C YORK 2006/01/09<br>APPR: J PAMLIK 2006/01/10<br>DESCRIPTION<br>REV A | QUALITY SYMBOLS                                      | GENERAL TOLERANCES (UNLESS SPECIFIED)   | DIMENSION STYLE                        | SCALE              | DESIGN UNITS | THIRD ANGLE PROJECTION |       |         |          |         |        |          |        |       |         |       |       |       |     |      |  |
|--|--|---|--|--------------------|--------------|------------------------|-------|---------|----------|---------|--------|----------|--------|-------|---------|-------|-------|-------|-----|------|--|
|  | $\nabla=0$<br>$\nabla=0$                             | <table border="1"> <thead> <tr> <th></th> <th>mm</th> <th>INCH</th> </tr> </thead> <tbody> <tr> <td>4 PLACES</td> <td>± ---</td> <td>± .0015</td> </tr> <tr> <td>3 PLACES</td> <td>± 0.038</td> <td>± .005</td> </tr> <tr> <td>2 PLACES</td> <td>± 0.13</td> <td>± .01</td> </tr> <tr> <td>1 PLACE</td> <td>± 0.3</td> <td>± ---</td> </tr> </tbody> </table> |  | mm                 | INCH         | 4 PLACES               | ± --- | ± .0015 | 3 PLACES | ± 0.038 | ± .005 | 2 PLACES | ± 0.13 | ± .01 | 1 PLACE | ± 0.3 | ± --- | MM/IN | 4:1 | INCH |  |
|  |  | mm  | INCH                                   |                    |              |                        |       |         |          |         |        |          |        |       |         |       |       |       |     |      |  |
|  | 4 PLACES   | ± ---   | ± .0015                                |                    |              |                        |       |         |          |         |        |          |        |       |         |       |       |       |     |      |  |
| 3 PLACES   | ± 0.038  | ± .005  |  |                    |              |                        |       |         |          |         |        |          |        |       |         |       |       |       |     |      |  |
| 2 PLACES   | ± 0.13   | ± .01   |  |                    |              |                        |       |         |          |         |        |          |        |       |         |       |       |       |     |      |  |
| 1 PLACE  | ± 0.3  | ± ---   |  |                    |              |                        |       |         |          |         |        |          |        |       |         |       |       |       |     |      |  |
|  | ANGULAR ± 2 °  | DRAWN BY: LROTHAUS<br>DATE: 12/6/05   | TITLE: 5.0MM, EURO HEADER, RIGHT ANGLE |                    |              |                        |       |         |          |         |        |          |        |       |         |       |       |       |     |      |  |
|  | DRAFT WHERE APPLICABLE MUST REMAIN WITHIN DIMENSIONS | CHECKED BY: C. YORK<br>DATE: 01/06/06   | APPROVED BY: _____<br>DATE: _____      | MOLEX INCORPORATED |              |                        |       |         |          |         |        |          |        |       |         |       |       |       |     |      |  |
|  |  | MATERIAL NO. SEE CHART  | DOCUMENT NO. SD-39522-002              | SHEET NO. 1 OF 1   |              |                        |       |         |          |         |        |          |        |       |         |       |       |       |     |      |  |
|  |  | THIS DRAWING CONTAINS INFORMATION THAT IS PROPRIETARY TO MOLEX INCORPORATED AND SHOULD NOT BE USED WITHOUT WRITTEN PERMISSION   |  |                    |              |                        |       |         |          |         |        |          |        |       |         |       |       |       |     |      |  |

9 8 7 6 5 4 3 2 1

| Description                     | Circuit size | Material Numbers |           |           |                  |           |           |                  |           |           |                  |           | Dimensional Information |        |       |        |       |
|---------------------------------|--------------|------------------|-----------|-----------|------------------|-----------|-----------|------------------|-----------|-----------|------------------|-----------|-------------------------|--------|-------|--------|-------|
|                                 |              | Black            |           |           |                  |           |           | Green            |           |           |                  |           | Dim. A                  |        | Dim B |        |       |
|                                 |              | 100% Tin         |           |           | 30 u" Gold       |           |           | 100% Tin         |           |           | 30 u" Gold       |           |                         |        |       |        |       |
|                                 |              | Printing Options |           |           | Printing Options |           |           | Printing Options |           |           | Printing Options |           |                         |        |       |        |       |
| None                            | 10A          | 11A              | None      | 10A       | 11A              | None      | 10A       | 11A              | None      | 10A       | 11A              | mm        | inch                    | mm     | inch  |        |       |
| 5.0mm, Euro Header, Right Angle | 2            | 395221002        | 395221102 | 395221202 | 395221502        | 395221602 | 395221702 | 395226002        | 395226102 | 395226202 | 395226502        | 395226602 | 395226702               | 12.00  | 0.472 | 5.00   | 0.197 |
| 5.0mm, Euro Header, Right Angle | 3            | 395221003        | 395221103 | 395221203 | 395221503        | 395221603 | 395221703 | 395226003        | 395226103 | 395226203 | 395226503        | 395226603 | 395226703               | 17.00  | 0.669 | 10.00  | 0.394 |
| 5.0mm, Euro Header, Right Angle | 4            | 395221004        | 395221104 | 395221204 | 395221504        | 395221604 | 395221704 | 395226004        | 395226104 | 395226204 | 395226504        | 395226604 | 395226704               | 22.00  | 0.866 | 15.00  | 0.591 |
| 5.0mm, Euro Header, Right Angle | 5            | 395221005        | 395221105 | 395221205 | 395221505        | 395221605 | 395221705 | 395226005        | 395226105 | 395226205 | 395226505        | 395226605 | 395226705               | 27.00  | 1.063 | 20.00  | 0.787 |
| 5.0mm, Euro Header, Right Angle | 6            | 395221006        | 395221106 | 395221206 | 395221506        | 395221606 | 395221706 | 395226006        | 395226106 | 395226206 | 395226506        | 395226606 | 395226706               | 32.00  | 1.260 | 25.00  | 0.984 |
| 5.0mm, Euro Header, Right Angle | 7            | 395221007        | 395221107 | 395221207 | 395221507        | 395221607 | 395221707 | 395226007        | 395226107 | 395226207 | 395226507        | 395226607 | 395226707               | 37.00  | 1.457 | 30.00  | 1.181 |
| 5.0mm, Euro Header, Right Angle | 8            | 395221008        | 395221108 | 395221208 | 395221508        | 395221608 | 395221708 | 395226008        | 395226108 | 395226208 | 395226508        | 395226608 | 395226708               | 42.00  | 1.654 | 35.00  | 1.378 |
| 5.0mm, Euro Header, Right Angle | 9            | 395221009        | 395221109 | 395221209 | 395221509        | 395221609 | 395221709 | 395226009        | 395226109 | 395226209 | 395226509        | 395226609 | 395226709               | 47.00  | 1.850 | 40.00  | 1.575 |
| 5.0mm, Euro Header, Right Angle | 10           | 395221010        | 395221110 | 395221210 | 395221510        | 395221610 | 395221710 | 395226010        | 395226110 | 395226210 | 395226510        | 395226610 | 395226710               | 52.00  | 2.047 | 45.00  | 1.772 |
| 5.0mm, Euro Header, Right Angle | 11           | 395221011        | 395221111 | 395221211 | 395221511        | 395221611 | 395221711 | 395226011        | 395226111 | 395226211 | 395226511        | 395226611 | 395226711               | 57.00  | 2.244 | 50.00  | 1.969 |
| 5.0mm, Euro Header, Right Angle | 12           | 395221012        | 395221112 | 395221212 | 395221512        | 395221612 | 395221712 | 395226012        | 395226112 | 395226212 | 395226512        | 395226612 | 395226712               | 62.00  | 2.441 | 55.00  | 2.165 |
| 5.0mm, Euro Header, Right Angle | 13           | 395221013        | 395221113 | 395221213 | 395221513        | 395221613 | 395221713 | 395226013        | 395226113 | 395226213 | 395226513        | 395226613 | 395226713               | 67.00  | 2.638 | 60.00  | 2.362 |
| 5.0mm, Euro Header, Right Angle | 14           | 395221014        | 395221114 | 395221214 | 395221514        | 395221614 | 395221714 | 395226014        | 395226114 | 395226214 | 395226514        | 395226614 | 395226714               | 72.00  | 2.835 | 65.00  | 2.559 |
| 5.0mm, Euro Header, Right Angle | 15           | 395221015        | 395221115 | 395221215 | 395221515        | 395221615 | 395221715 | 395226015        | 395226115 | 395226215 | 395226515        | 395226615 | 395226715               | 77.00  | 3.031 | 70.00  | 2.756 |
| 5.0mm, Euro Header, Right Angle | 16           | 395221016        | 395221116 | 395221216 | 395221516        | 395221616 | 395221716 | 395226016        | 395226116 | 395226216 | 395226516        | 395226616 | 395226716               | 82.00  | 3.228 | 75.00  | 2.953 |
| 5.0mm, Euro Header, Right Angle | 17           | 395221017        | 395221117 | 395221217 | 395221517        | 395221617 | 395221717 | 395226017        | 395226117 | 395226217 | 395226517        | 395226617 | 395226717               | 87.00  | 3.425 | 80.00  | 3.150 |
| 5.0mm, Euro Header, Right Angle | 18           | 395221018        | 395221118 | 395221218 | 395221518        | 395221618 | 395221718 | 395226018        | 395226118 | 395226218 | 395226518        | 395226618 | 395226718               | 92.00  | 3.622 | 85.00  | 3.346 |
| 5.0mm, Euro Header, Right Angle | 19           | 395221019        | 395221119 | 395221219 | 395221519        | 395221619 | 395221719 | 395226019        | 395226119 | 395226219 | 395226519        | 395226619 | 395226719               | 97.00  | 3.819 | 90.00  | 3.543 |
| 5.0mm, Euro Header, Right Angle | 20           | 395221020        | 395221120 | 395221220 | 395221520        | 395221620 | 395221720 | 395226020        | 395226120 | 395226220 | 395226520        | 395226620 | 395226720               | 102.00 | 4.016 | 95.00  | 3.740 |
| 5.0mm, Euro Header, Right Angle | 21           | 395221021        | 395221121 | 395221221 | 395221521        | 395221621 | 395221721 | 395226021        | 395226121 | 395226221 | 395226521        | 395226621 | 395226721               | 107.00 | 4.213 | 100.00 | 3.937 |
| 5.0mm, Euro Header, Right Angle | 22           | 395221022        | 395221122 | 395221222 | 395221522        | 395221622 | 395221722 | 395226022        | 395226122 | 395226222 | 395226522        | 395226622 | 395226722               | 112.00 | 4.409 | 105.00 | 4.134 |
| 5.0mm, Euro Header, Right Angle | 23           | 395221023        | 395221123 | 395221223 | 395221523        | 395221623 | 395221723 | 395226023        | 395226123 | 395226223 | 395226523        | 395226623 | 395226723               | 117.00 | 4.606 | 110.00 | 4.331 |
| 5.0mm, Euro Header, Right Angle | 24           | 395221024        | 395221124 | 395221224 | 395221524        | 395221624 | 395221724 | 395226024        | 395226124 | 395226224 | 395226524        | 395226624 | 395226724               | 122.00 | 4.803 | 115.00 | 4.528 |

|   |                               |  |  |   |  |                    |              |                        |
|---|-------------------------------|--|--|---|--|--------------------|--------------|------------------------|
| SEE SHEET 1<br>EC NO: NEC2006-0310<br>DRWN: LROTHAUS 2006/01/09<br>CHKD: CYORK 2006/01/09<br>APPR: J.PAMLICK 2006/01/10 | QUALITY SYMBOLS<br>▽=0<br>▽=0 | GENERAL TOLERANCES (UNLESS SPECIFIED)                |  | DIMENSION STYLE   |  | SCALE              | DESIGN UNITS | THIRD ANGLE PROJECTION |
|   |                               |  |  | MM/IN   |  | 4:1                | INCH         |                        |
|   |                               |  |  | DRAWN BY DATE   |  | TITLE              |              |                        |
|   |                               |  |  | CHECKED BY DATE   |  | MOLEX INCORPORATED |              |                        |
|   |                               | APPROVED BY DATE                                     |  | MATERIAL NO.  |  | DOCUMENT NO.       |              | SHEET NO.              |
|   |                               | ANGULAR ± 2 °  |  | SEE CHART   |  | SD-39522-002       |              | 2 OF 2                 |
|   |                               | DRAFT WHERE APPLICABLE MUST REMAIN WITHIN DIMENSIONS |  | THIS DRAWING CONTAINS INFORMATION THAT IS PROPRIETARY TO MOLEX INCORPORATED AND SHOULD NOT BE USED WITHOUT WRITTEN PERMISSION |  |                    |              |                        |