

**PLEASE CHECK WWW.MOLEX.COM FOR LATEST PART INFORMATION**

**Part Number:** [0355721002](#)  
**Status:** **Active**  
**Description:** 2.50mm (.098") Pitch Wire-to-Wire and Wire-to-Board Housing, Positive Lock, Nylon 6/6 Material, 10 Circuits, Red

**Documents:**

[3D Model](#) [Product Specification PS-35572-001 \(PDF\)](#)  
[Drawing \(PDF\)](#) [RoHS Certificate of Compliance \(PDF\)](#)

**General**

Product Family Crimp Housings  
 Series [35572](#)  
 Product Name N/A

**Physical**

Breakaway No  
 Circuits (maximum) 10  
 Color - Resin Natural  
 Gender Female  
 Glow-Wire Compliant No  
 Keying to Mating Part None  
 Lock to Mating Part Yes  
 Material - Resin Polyester  
 Number of Rows 1  
 Packaging Type Bag  
 Panel Mount No  
 Pitch - Mating Interface (in) 0.098 In  
 Pitch - Mating Interface (mm) 2.50 mm  
 Pitch - Term. Interface (in) 0.098 In  
 Pitch - Term. Interface (mm) 2.50 mm  
 Polarized to Mating Part Yes  
 Ports 1  
 Stackable No  
 Temperature Range - Operating -40°C to +105°C

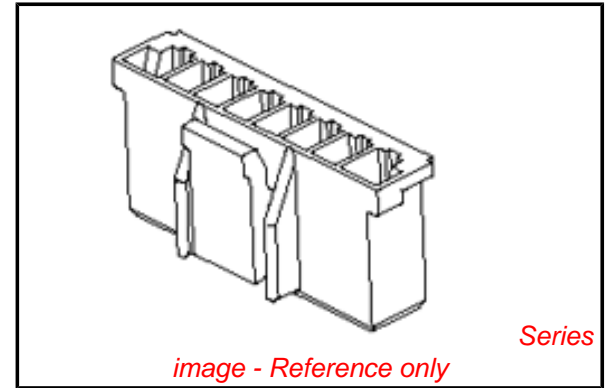
**Electrical**

Current - Maximum per Contact 3A

**Material Info**

**Reference - Drawing Numbers**

Product Specification PS-35572-001  
 Sales Drawing SD-35572-001



**EU RoHS**

**ELV and RoHS Compliant**  
**REACH SVHC**  
 Not Reviewed  
**Halogen-Free Status**

**China RoHS**



**Not Reviewed**

**Need more information on product environmental compliance?**

Email [productcompliance@molex.com](mailto:productcompliance@molex.com)  
 For a multiple part number RoHS Certificate of Compliance, [click here](#)

Please visit the [Contact Us](#) section for any non-product compliance questions.

**Search Parts in this Series**

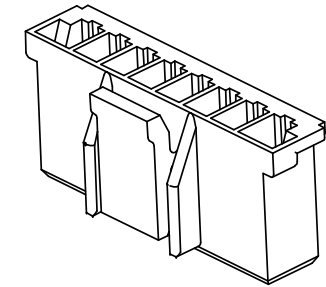
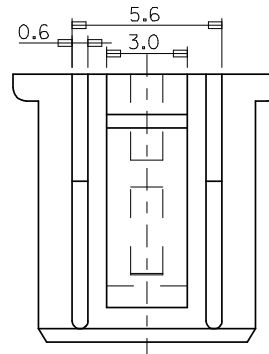
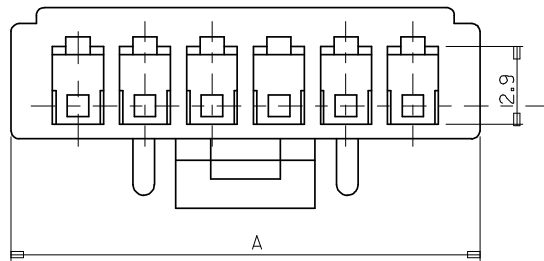
[35572Series](#)

**Mates With**

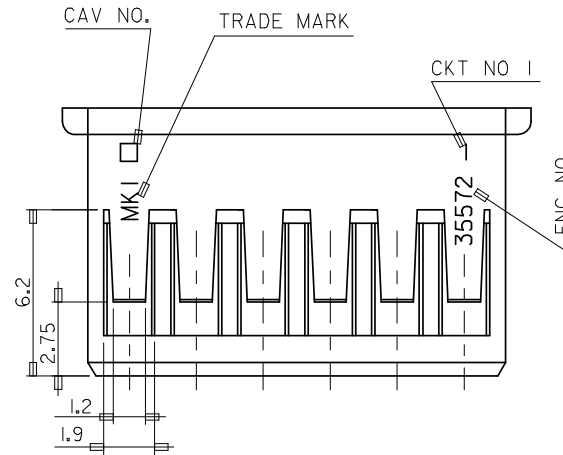
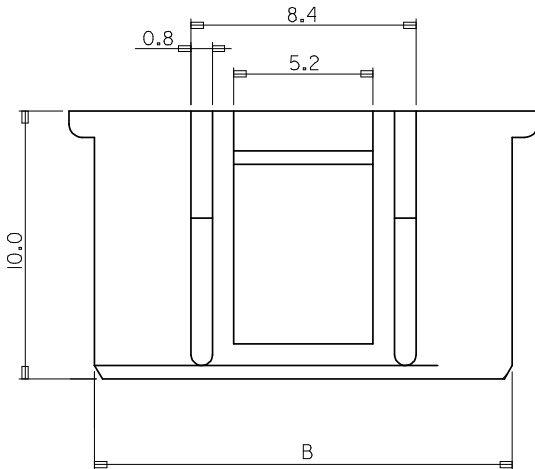
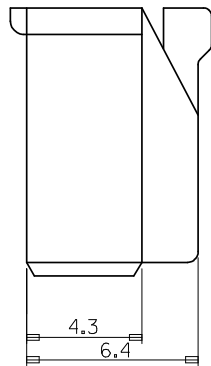
[35312](#) Vertical Shrouded Header, [35184](#) Plug Housing

**Use With**

[57915](#) Wire-to-Board Terminal

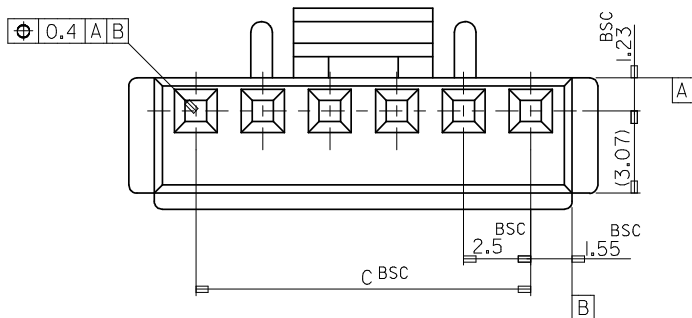


3 CKT ONLY



NOTE

1. MATERIAL : PBT UL94V-0 (VALOX 3IOSEO)
2. COLOR : 0 : NATURAL  
2 : RED (ONLY 4P,6P,10P)
3. USED TERMINAL : 57915-9002/8001
4. MATED : 35312/35184



						20.0	23.1	25.0	35572-0900	9
35.0	38.1	40.0	35572-1500	15	17.5	20.6	22.5	35572-0800	8	
32.5	35.6	37.5	35572-1400	14	15.0	18.1	20.0	35572-0700	7	
30.0	33.1	35.0	35572-1300	13	12.5	15.6	17.5	35572-060*	6	
27.5	30.6	32.5	35572-1200	12	10.0	13.1	15.0	35572-0500	5	
25.0	28.1	30.0	35572-1100	11	7.5	10.6	12.5	35572-040*	4	
22.5	25.6	27.5	35572-100*	10	5.0	8.1	10.0	35572-0300	3	
C	B	A	ENG. NO.	CKT	C	B	A	ENG. NO.	CKT	

<b>REVISED</b> EC NO: KOR2008-0109 DRWN: JHPARK01 2008/01/02 CHKD: WY. YANG 2008/01/02 APPR: YUNS IKK IM 2008/01/02	QUALITY SYMBOLS 	GENERAL TOLERANCES (UNLESS SPECIFIED)		DIMENSION STYLE <b>MM ONLY</b>		SCALE <b>5:1</b>	DESIGN UNITS <b>METRIC</b>	<b>THIRD ANGLE PROJECTION</b>	
		4 PLACES ± --- ± --- 3 PLACES ± --- ± --- 2 PLACES ± --- ± --- 1 PLACE ± 0.2 ± --- ANGULAR ± 1°	mm INCH DRAWN BY DATE HS. SHIN 2000/02/17 CHECKED BY DATE JK. OH 2000/02/17 APPROVED BY DATE CW. LEE 2000/02/17	<b>2.5 PITCH W/B CONN HOUSING</b>			<b>MOLEX INCORPORATED</b>		SHEET NO. <b>1 OF 01</b>
DRAFT WHERE APPLICABLE MUST REMAIN WITHIN DIMENSIONS		MATERIAL NO. <b>SD35572.DGN</b>		DOCUMENT NO. <b>SD-35572-001</b>		THIS DRAWING CONTAINS INFORMATION THAT IS PROPRIETARY TO MOLEX INCORPORATED AND SHOULD NOT BE USED WITHOUT WRITTEN PERMISSION			