

**PLEASE CHECK WWW.MOLEX.COM FOR LATEST PART INFORMATION**

**Part Number:** [0945504102](#)  
**Status:** **Active**  
**Overview:** [rast 5 connector system](#)  
**Description:** 5.00mm (.197") Pitch, Rast 5, PA Polyamide (Nylon) 6/6, UL 94V-2, 2 Circuits, Natural, Glow Wire Compatible

**Documents:**

[3D Model](#) [Product Specification PS-94550-001 \(PDF\)](#)  
[Drawing \(PDF\)](#) [RoHS Certificate of Compliance \(PDF\)](#)

**General**

Product Family Crimp Housings  
 Series [94550](#)  
 Overview [rast 5 connector system](#)  
 Product Name RAST 5

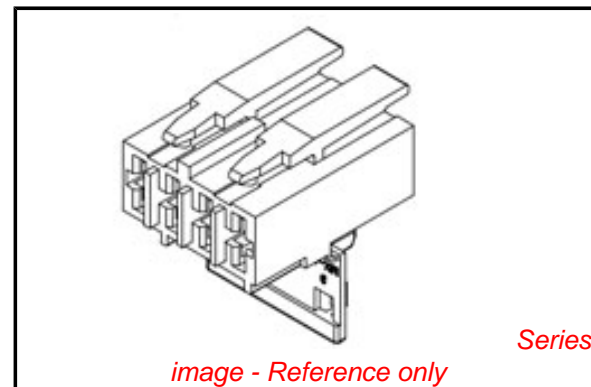
**Physical**

Breakaway No  
 Circuits (maximum) 2  
 Color - Resin Natural  
 Gender Female  
 Glow-Wire Compliant Yes  
 Lock to Mating Part Yes  
 Material - Resin Nylon  
 Number of Rows 1  
 Packaging Type Bag  
 Panel Mount No  
 Pitch - Mating Interface (in) 0.197 In  
 Pitch - Mating Interface (mm) 5.00 mm  
 Pitch - Term. Interface (in) 0.197 In  
 Pitch - Term. Interface (mm) 5.00 mm  
 Polarized to Mating Part Yes  
 Ports 1  
 Stackable No  
 Temperature Range - Operating -40°C to +85°C

**Material Info**

**Reference - Drawing Numbers**

Product Specification PS-94550-001  
 Sales Drawing SD-94550-006  
 Test Summary TS-94550-001



**EU RoHS**

**ELV and RoHS Compliant**  
**REACH SVHC Contains SVHC: No**  
**Halogen-Free Status**

**China RoHS**



**Need more information on product environmental compliance?**

Email [productcompliance@molex.com](mailto:productcompliance@molex.com)  
 For a multiple part number RoHS Certificate of Compliance, [click here](#)

Please visit the [Contact Us](#) section for any non-product compliance questions.

**Search Parts in this Series**

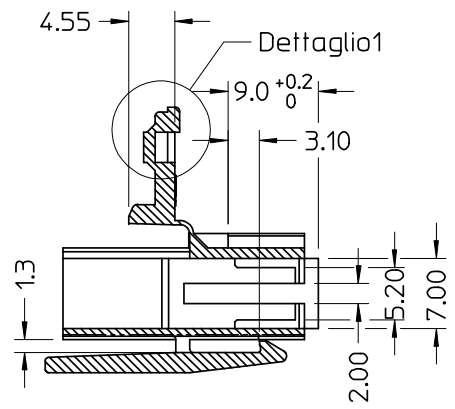
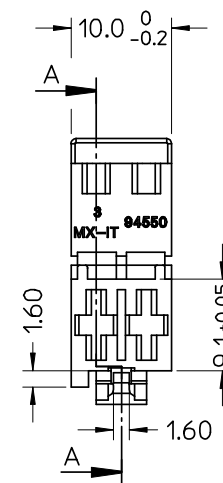
[94550Series](#)

**Mates With**

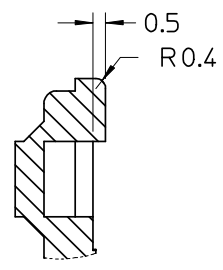
Rast 5 Headers, [90858](#) Vertical Header, [90879](#) Right Angle Header

**Use With**

[94518](#) Crimp Terminal, [94549](#) Crimp Terminal

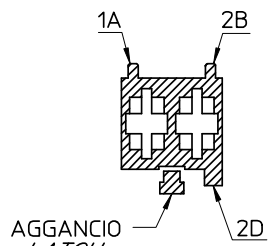


SEZ: A-A

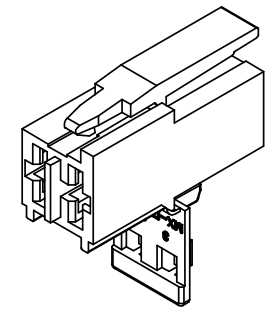


Dettaglio1  
SCALA 5:1

CONFIGURAZIONE POLARIZZAZIONI  
POLARIZATION CONFIGURATION



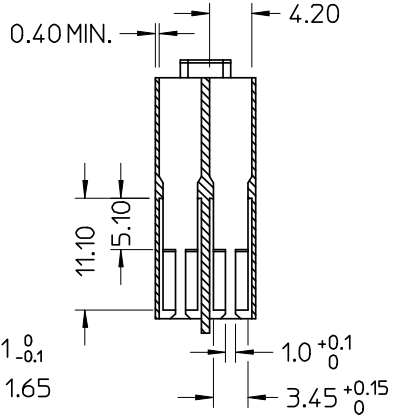
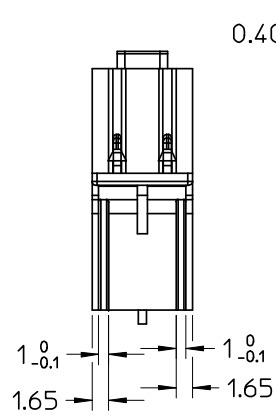
SEZ: C-C



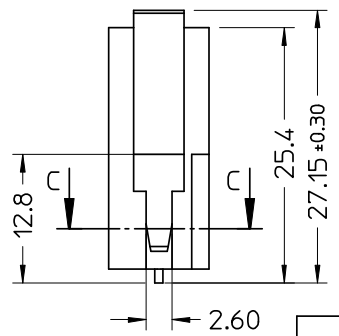
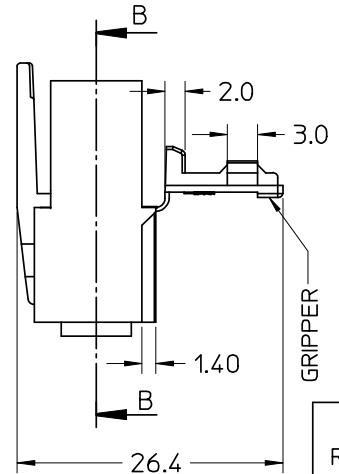
- NOTE:
- USATO CON TERMINALE 94518-0XXX E 94549-0XXX
  - SPECIFICA DI RIFERIMENTO PER IL CONNETTORE PS-94550-001
  - PER CARATTERISTICHE DI CRIMPATURA RIF. SD-94518-005 E SD-94549-001
  - FORZA DI DISACCOPIAMENTO CONNETTORE (TRAZIONANDO DAI CAVI SENZA AZIONARE L'AGGANCIO): 40 N MIN.
  - SPESSORE MINIMO PARETI CONNETTORE 0.40 mm.

- NOTE:
- USED WITH TERMINALS 94518-0XXX AND 94549-0XXX
  - REFER TO PS-94550-001 FOR CONNECTOR SPECIFICATION
  - REFER TO SD-94518-005 AND SD-94549-001 FOR CRIMPING CHARACTERISTICS
  - CONNECTOR DISENGAGEMENT FORCE (PULLING BY THE WIRES, WITHOUT ACTUATING THE LATCH): 40 N MIN.
  - MINIMUM CONNECTOR WALL THICKNESS 0.40 mm.

CONFEZIONE: Box da 3500 Pz.  
PACKAGING: 3500 pcs in carton box



SEZ: B-B



\* AGENCY RECOGNIZATIONS  
CSA (file LR19980)  
UL (file E-29179)

P/N	MATERIAL/COLOR
* 94550-9102	NYLON 6.6 V0 NATURAL
94550-8102	NYLON 6.6 V2 NATURAL
94550-4102	NYLON 6.6 GWT 750°C sec.IEC 60335-1 TEST METHOD IEC 60695-2-11 NATURAL

SPQ = 3500

Std. Descr.: 'HSG W/SEC LOCK AND LATCH 2CKT \_\_\_\_\_ COLOR'

EC NO: Z2006-0038	DESCRIPTION
DRWN: FGOTTARD 2005/09/21	
CHKD: RSANDAN 2005/09/21	
APPR: GZUIN 2005/09/21	
A6	REV

QUALITY SYMBOLS	GENERAL TOLERANCES (UNLESS SPECIFIED)	
	mm	INCH
▽ = 0	4 PLACES	± --- ± ---
	3 PLACES	± --- ± ---
▽ = 0	2 PLACES	± 0.10 ± ---
	1 PLACE	± 0.2 ± ---
	ANGULAR ± 2°	
	DRAFT WHERE APPLICABLE	
	MUST REMAIN WITHIN DIMENSIONS	

SCALE	DESIGN UNITS
2:1	METRIC
DIMENSION STYLE	
MM ONLY	
DRAWN BY	DATE
FGOTTARD	2002/06/27
CHECKED BY	DATE
MTESTAGU	2002/06/27
APPROVED BY	DATE
GZUIN	2002/06/27

FIRST ANGLE PROJECTION	REVISE ON CAD ONLY
TITLE	
HSG 2 CKT WITH SEC.LOCK AND EXTERNAL LATCH	
MOLEX INCORPORATED	
MATERIAL NO.	DOCUMENT NO.
SEE TABLE	SD-94550-006
SHEET NO.	1 OF 1
THIS DRAWING CONTAINS INFORMATION THAT IS PROPRIETARY TO MOLEX INCORPORATED AND SHOULD NOT BE USED WITHOUT WRITTEN PERMISSION	