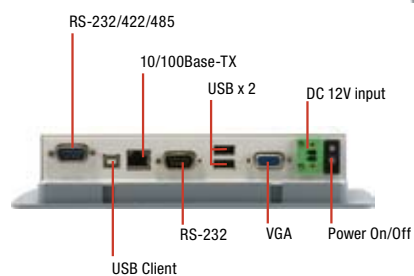


AHP-1070

7" WVGA HMI Touch Panel Computer With Onboard TI OMAP 600 MHz Processor



Features

- Onboard TI OMAP 600 MHz
- 7" 300 Nits WVGA LED Backlight
- Fanless Operation
- 256MB Flash ROM, Max. 256MB DDR
- Slim Design: 45 mm
- WiFi (Optional)



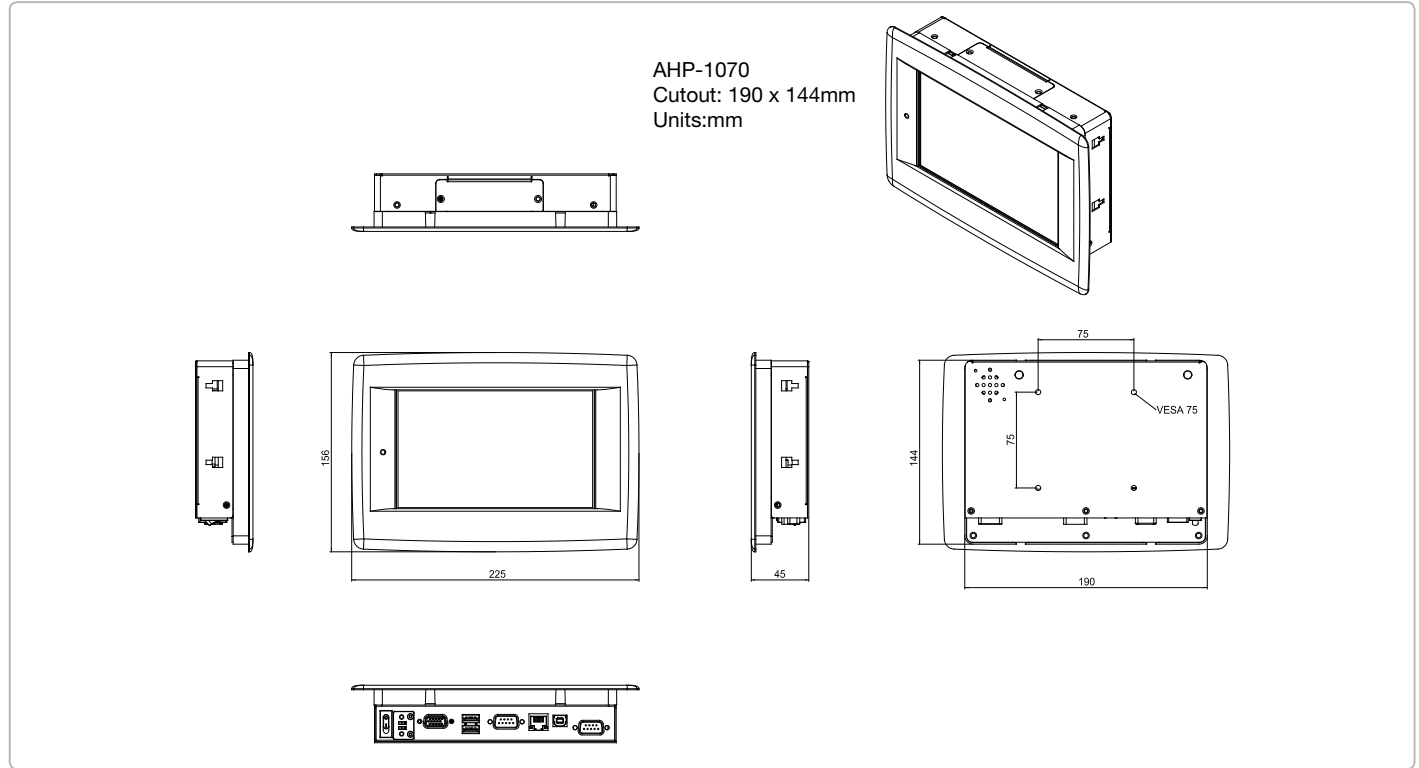
Specifications

System	
Processor	TI OMAP 600 MHz
System Memory	LP DDR 128 MB RAM (up to 256MB)
LCD/CRT Controller	Integrated in TI Processor
Ethernet	10/100Base-TX, RJ-45 x 1
I/O Port	RS-232 x 1, RS-232/422/485 x 1, USB2.0 x 2, USB client x 1, LAN x 1, VGA out x 1
Storage Disk Drive	256 MB NAND FLASH on board /SD card x 1 Expansion
Expansion Slot	Mini Card x 1 (USB interface only)
OS support	Windows® CE 6.0, Linux
Mechanical	
Construction	IP-65, NEMA 4 rugged protection, plastic front bezel
Color	Bezel: Patone 5425C, Rear cover: RAL 7040
Mounting	VESA 75/ Panel
Dimension	8.8" (W) x 6.14" (H) x 1.77" (D) (225mm x 156mm x 45mm)
Carton Dimension	11.4" (W) x 7.48" (H) x 9" (D) (290mm x 190mm x 230mm)
Gross Weight	4.41 lb (2 kg)
Net Weight	1.54 lb (0.7 kg)
Environmental	
Operating Temperature	32°F ~ 122°F (0°C ~ 50°C) (Ambient with airflow)
Storage Temperature	-4°F ~ 140°F (-20°C ~ 60°C)
Storage Humidity	5%~90% @ 40°C; non-condensing
Vibration	3 g rms/ 5~ 500Hz/ operation – With SD
Shock	20 G peak acceleration (11 msec. duration)
EMC	CE/FCC class A
Power Supply	
DC input	DC 12V w/ 2-pin terminal block
LCD	
Display Type	7" TFT-LCD
Max Resolution	800 x 480
Max. Colors	262K colors
Luminance	300 cd/m ²
Viewing Angle	140°(H), 120°(V)
Back Light	LED
Back Light MTBF (hours)	30,000
Touchscreen	
Type	5-wire, Analog Resistive
Resolution	2048 x 2048
Light Transmission	>80%
Life time	35 Million activations

AHP-1070

Dimension

Unit: mm



Ordering Information

- **TF-AHP-1070HTT-A1-1011**
HMI Panel PC, TI OMAP 600 MHz, 7" LCD with 300nits B/L ,R-TS, 256MB ROM ,128 MB RAM ,WINCE 6.0
- **TF-AHP-1070HTT-A2-1011**
HMI Panel PC, TI OMAP 600 MHz, 7" LCD with 300nits B/L ,R-TS, 256MB ROM ,256 MB RAM ,WINCE 6.0

Optional Accessories

- **ARM-DR075-0**
DIN Rail Kit with VESA 75mm Standards
- **ARM-WK075-0**
Wallmount Kit for VESA 75/100mm Standard Screw Holes
- **1757904005**
12V 40W Power Adapter w/ 2-pin Terminal Block
- **1702031802**
Power Cord (US Type)
- **1702031803**
Power Cord (European Type)
- **9761107001**
WiFi Kit, 802.11 b/g