

SM76D Series 1.8 V CMOS Clock Oscillators

March 2008

Lead Free 

- Pletronics' SM76D Series is a quartz crystal controlled precision square wave generator with a CMOS output. Made from SM77D device.
- The SM76D series will directly interface TTL devices also.
- S-Pkg is Solder pad compatible with the Epson SG615 and SG8002J and many other 9x14mm plastic J lead packages.
- FR4 base with an SM77D series oscillator.
- Capable of driving up to 15pF capacitive loads
- Tape and Reel or cut tape packaging available.
- 70 to 165 MHz
- 9.04mm x 8.23mm package
- Enable/Disable Function
- Disable function includes low standby power mode
- 3rd Overtone Crystals used
- Improved circuit to minimize oscillator issues such as multi-mode output signal.
- Low Jitter
- Has internal bypass capacitor on the Vcc lead
- Package changed in 2008

**Pletronics Inc. certifies this device is in accordance with the
RoHS 6/6 (2002/95/EC) and WEEE (2002/96/EC) directives.**

Pletronics Inc. guarantees the device does not contain the following:

Cadmium, Hexavalent Chromium, Lead, Mercury, PBB's, PBDE's

Weight of the Device: 0.4 grams

Moisture Sensitivity Level: 1 As defined in J-STD-020C

Second Level Interconnect code: e4

Absolute Maximum Ratings:

Parameter	Unit
V _{CC} Supply Voltage	-0.5V to +5.0V
V _i Input Voltage	-0.5V to V _{CC} + 0.5V
V _o Output Voltage	-0.5V to V _{CC} + 0.5V

Thermal Characteristics

The maximum die or junction temperature is 155°C

The thermal resistance junction to board is 60 to 100°C/Watt depending on the solder pads, ground plane and construction of the PCB.



SM76D Series 1.8 V CMOS Clock Oscillators

March 2008

Part Number:

SM76	45	D	E	X	- 80.0M	-XX	
							Packaging code or blank T250 = 250 per Tape and Reel T500 = 500 per Tape and Reel T1K = 1000 per Tape and Reel
							Frequency in MHz
							Supply Voltage V_{CC} X = 1.8V ± 10%
							Optional Enhanced OTR Blank = Temp. range -10 to +70°C E = Temp. range -40 to +85°C
							Series Model
							Frequency Stability 45 = ± 50 ppm 44 = ± 25 ppm 20 = ± 20 ppm
							Series Model

Part Marking:

PLE
SM76
FF.FFF M
• YMDXX

or

PLE SM77
FF.FFF M
• YMDXX

Marking Legend:

PLE = Pletronics
 FF.FFF M = Frequency in MHz
 YMD = Date of Manufacture (year-month-day)
 All other marking is internal factory codes

Specifications such as frequency stability, supply voltage and operating temperature range, etc. are not identified from the marking. External packaging labels and packing list will correctly identify the ordered Pletronics part number.

Codes for Date Code YMD

Code	6	7	8	9	0	1	2
Year	2006	2007	2008	2009	2010	2011	2012

Code	A	B	C	D	E	F	G	H	J	K	L	M
Month	JAN	FEB	MAR	APR	MAY	JUN	JUL	AUG	SEP	OCT	NOV	DEC

Code	1	2	3	4	5	6	7	8	9	A	B	C
Day	1	2	3	4	5	6	7	8	9	10	11	12
Code	D	E	F	G	H	J	K	L	M	N	P	R
Day	13	14	15	16	17	18	19	20	21	22	23	24
Code	T	U	V	W	X	Y	Z					
Day	25	26	27	28	29	30	31					

Legacy Part Numbers:

- 'S' Denoted Symmetry of 45%/55% at 50% of V_{CC}. This is now the standard Duty Cycle and is no longer needed in the part number. We will still support part numbers with the 'S'. For example SM7645DX and SM7645DSX describe the same specifications and can be used interchangeably by the customer.
- 30 Denoted Output Load other than the standard 15 pF. Data sheets now reflect the specifications at all available loads so this load designation is no longer needed. We still support part numbers with this load designation.

Electrical Specification for 1.80V $\pm 10\%$ over the specified temperature range

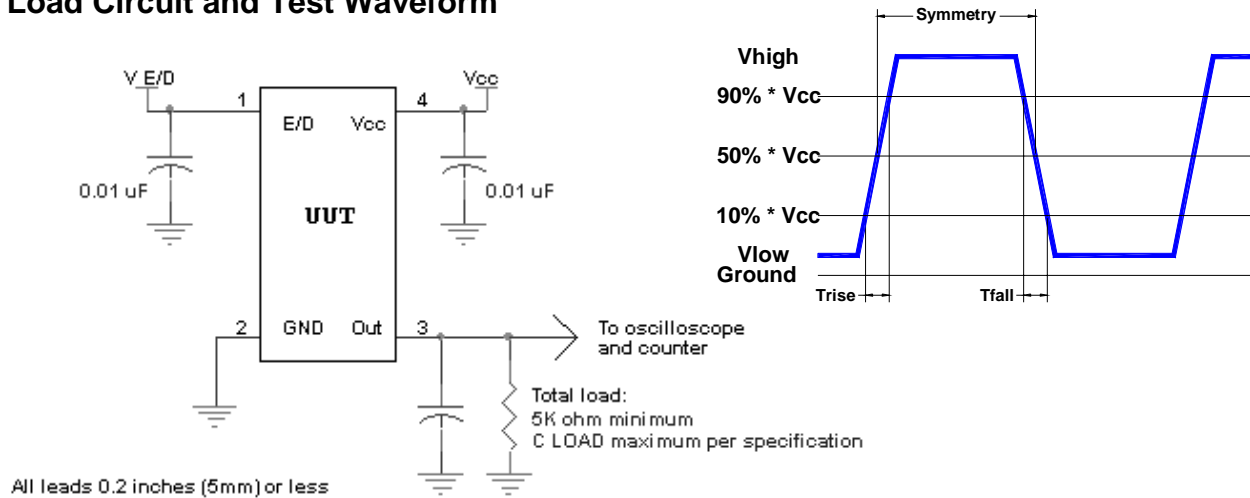
Item	Min	Max	Unit	Condition
Frequency Range	70	165	MHz	
Frequency Accuracy "45"	-50	+50	ppm	For all supply voltages, load changes, aging for 1 year, shock, vibration and temperatures
"44"	-25	+25		
"20"	-20	+20		
Output Waveform	CMOS			
Output High Level	0.4	-	V	Below V_{CC} (See load circuit)
Output Low Level	-	0.4	V	(See load circuit)
Output Symmetry	45	55	%	at 50% point of V_{CC} (See load circuit)
Jitter	-	0.6	pS RMS	12 KHz to 20 MHz from the output frequency
	-	2.5	pS RMS	10 Hz to 1 MHz from the output frequency
Enable/Disable Internal Pull-up	30	-	Kohm	to V_{CC}
V disable	-	30	%	of V_{CC} applied to pad 1
V enable	70	-	%	of V_{CC} applied to pad 1
Output leakage $V_{OUT} = V_{CC}$	-10	+10	μ A	Pad 1 low, device disabled
	$V_{OUT} = 0V$	-10	+10	
Standby Current I_{CC}	-	10	μ A	Pad 1 low, device disabled
Enable time	-	2	mS	Time for output to resume operation
Disable time	-	200	nS	Time for output to reach a high Z state
Start up time	-	5	mS	Time for output to reach specified frequency
Operating Temperature Range	-10	+70	$^{\circ}$ C	Standard Temperature Range
	-40	+85	$^{\circ}$ C	Extended Temperature Range "E" Option
Storage Temperature Range	-55	+125	$^{\circ}$ C	

Electrical Specification for 1.80V $\pm 10\%$ over the specified temperature range

Item	Min	Typ	Max	Unit	Condition	
V_{OUT} High (V_{OH})	0.4	0.3	-	V	Below V_{CC} , $I_{OH} = +8$ mA	
V_{OUT} Low (V_{OL})	-	0.3	0.4	V	$I_{OL} = -8$ mA	
Output T_{RISE} and T_{FALL}	-	1.5	2.5	nS	$C_{LOAD} = 15$ pF 20% to 80% of V_{CC} (See load circuit)	
V_{CC} Supply Current (I_{CC})	-	21	33	mA	>125 MHz	$C_{LOAD} = 15$ pF 20% to 80% of V_{CC} (See load circuit)
	-	17	27	mA	>95 MHz and ≤ 125 MHz	
	-	11	19	mA	≤ 95 MHz	

Specifications with Pad 1 E/D open circuit

Load Circuit and Test Waveform



Reliability: Environmental Compliance

Parameter	Condition
Mechanical Shock	MIL-STD-883 Method 2002, Condition B
Vibration	MIL-STD-883 Method 2007, Condition A
Solderability	MIL-STD-883 Method 2003
Thermal Shock	MIL-STD-883 Method 1011, Condition A

ESD Rating

Model	Minimum Voltage	Conditions
Human Body Model	1500	MIL-STD-883 Method 3115
Charged Device Model	1000	JESD 22-C101

Package Labeling

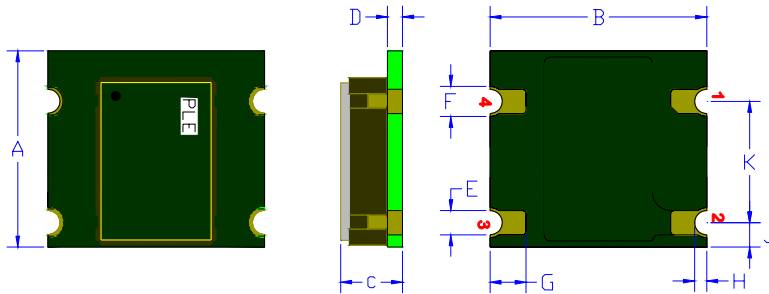
Label is 1" x 2.6" (25.4mm x 66.7mm)
Font is Courier New
Bar code is 39-Full ASCII

Label is 1" x 2.6" (25.4mm x 66.7mm)
Font is Arial

P/N:		
	SM7645DX-100.0M	
Customer P/N:		
	12345678	
Qty:		D/C 
	1000	0502A6

RoHS Compliant
2nd LvL Interconnect
Category=e4
Max Safe Temp=245C for 10s 2X Max

Mechanical:



Label:

Laser marked on the ceramic package metal cover

FR4 PCB Base:

Solder masked
All via holes tented on bottom
Copper Clad ½ oz. Typical
Gold plated 0.02 µinch (0.5 µm)

Pin 3 Ground plane is typical

Not to scale

¹ Typical dimension

	Inches	mm
A	0.324 \pm 0.003	8.23 \pm 0.07
B	0.356 \pm 0.005	9.04 \pm 0.13
C	0.135 \pm 0.005	3.43 \pm 0.13
D ¹	0.062	1.57
E ¹	0.050	1.27
F ¹	0.050	1.27
G ¹	0.059	1.50
H ¹	0.020	0.51
J ¹	0.040	1.02
K ¹	0.200	5.08

Pad	Function	Note
1	Output Enable/Disable	When this pad is not connected the oscillator shall operate. When this pad is logic low the output will be inhibited (high impedance state.) Recommend connecting this pad to V _{CC} if the oscillator is to be always on.
2	Ground (GND)	
3	Output	
4	Supply Voltage (V _{CC})	Recommend connecting appropriate power supply bypass capacitors as close as possible.

Layout and application information



For Optimum Jitter Performance, Pletronics recommends:

- a ground plane under the device
- no large transient signals (both current and voltage) should be routed under the device
- do not layout near a large magnetic field such as a high frequency switching power supply
- do not place near piezoelectric buzzers or mechanical fans.

Mechanical (obsolete version):

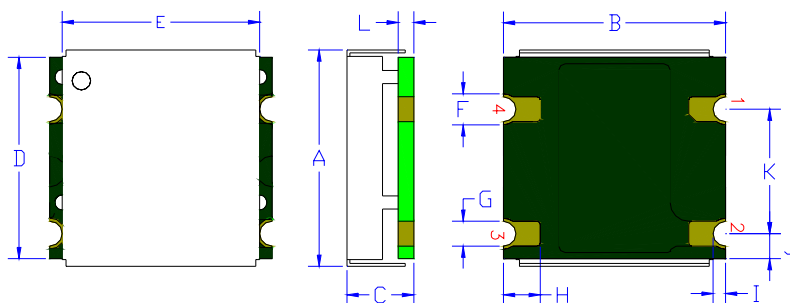
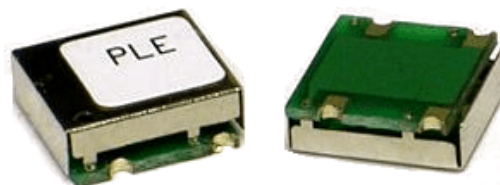
The cover is no longer being supplied over this part. This part is made with a hermetically sealed SM77D series oscillator. This part is now exposed.

The cover has been deleted as it was causing problems with the newer high temperature RoHS lead free processes. The cover purpose was only cosmetic.

All parts ordered in 2008 will be made in the new fashion.

There is no change in electrical properties.

Pletronics does recommend that all designs should transition to the SM77D ceramic part. This is the base part of the SM76D.



Cover:

Centered on the base
304 Stainless Steel
0.010 inch (0.25 μ m)
Electroless Nickel Plated
1 μ inch (25 μ m) typical

Label:

White Kapton with Black Letters
—or—
Laser marked lettering

FR4 PCB Base:

Solder masked
All via holes tented on bottom
Copper Clad ½ oz. Typical
Gold plated 0.02 μ inch (0.5 μ m)

Pin 3 Ground plane is typical

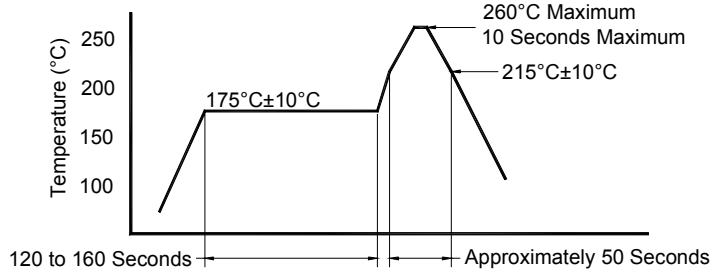
Not to scale

¹ Typical dimension

	Inches	mm
A	0.351 \pm 0.003	8.91 \pm 0.07
B	0.356 \pm 0.005	9.04 \pm 0.13
C	0.103 \pm 0.005	2.62 \pm 0.13
D ¹	0.324	8.23
E ¹	0.316	8.03
F ¹	0.050	1.27
G ¹	0.040	1.02
H ¹	0.059	1.50
I ¹	0.020	0.51
J ¹	0.040	1.02
K ¹	0.200	5.08
L ¹	0.026 typical	0.66

- The package is not hermetically sealed.
- The sides are intentionally left open to permit cleaning material to freely flow in the package, thus minimizing the accumulation of contaminants during cleaning processes.
- The internal part of the package must be thoroughly dry before operating.

Reflow Cycle (typical for lead free processing)



The part may be reflowed 2 times without degradation.

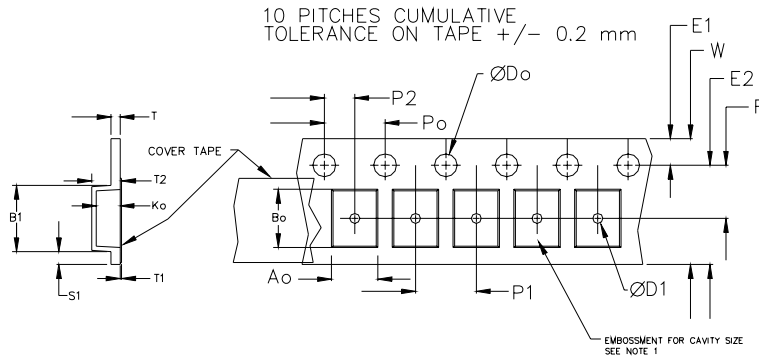
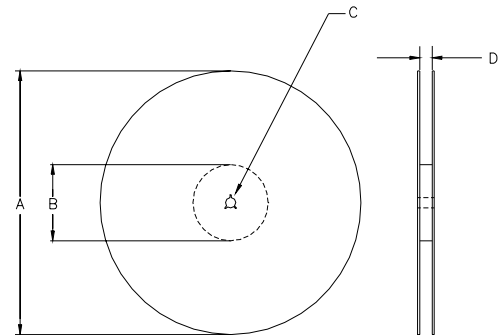
Allowed rate of temperature change
Maximum 4°C per second

Tape and Reel: available for quantities of 250 to 1000 per reel, cut tape for < 250

Constant Dimensions Table 1								
Tape Size	D0	D1 Min	E1	P0	P2	S1 Min	T Max	T1 Max
8mm	1.5	1.0	1.75	4.0	2.0 ±0.05	0.6	0.6	0.1
12mm		1.5			2.0 ±0.1			
16mm		+0.1 -0.0			1.5			
24mm		1.5			1.5			

Variable Dimensions Table 2							
Tape Size	B1 Max	E2 Min	F	P1	T2 Max	W Max	Ao, Bo & Ko
24 mm	9.88	22.25	11.5 ± 0.1	16.0 ± 0.1	3.22	24.3	Note 1

Note 1: Embossed cavity to conform to EIA-481-B Dimensions in mm Not to scale



USER DIRECTION OF UNREELING →

		REEL DIMENSIONS			Tape Width
A	inches	7.0	10.0	13.0	
	mm	177.8	254.0	330.2	
B	inches	2.50	4.00	3.75	
	mm	63.5	101.6	95.3	
C	mm	13.0 +0.5 / -0.2			
D	mm	---	---	24.4 +2.0 -0.0	24.0

Reel dimensions may vary from the above



SM76D Series 1.8 V CMOS Clock Oscillators

March 2008

IMPORTANT NOTICE

Pletronics Incorporated (PLE) reserves the right to make corrections, improvements, modifications and other changes to this product at anytime. PLE reserves the right to discontinue any product or service without notice. Customers are responsible for obtaining the latest relevant information before placing orders and should verify that such information is current and complete. All products are sold subject to PLE's terms and conditions of sale supplied at the time of order acknowledgment.

PLE warrants performance of this product to the specifications applicable at the time of sale in accordance with PLE's limited warranty. Testing and other quality control techniques are used to the extent PLE deems necessary to support this warranty. Except where mandated by specific contractual documents, testing of all parameters of each product is not necessarily performed.

PLE assumes no liability for application assistance or customer product design. Customers are responsible for their products and applications using PLE components. To minimize the risks associated with the customer products and applications, customers should provide adequate design and operating safeguards.

PLE products are not designed, intended, authorized or warranted to be suitable for use in life support applications, devices or systems or other critical applications that may involve potential risks of death, personal injury or severe property or environmental damage. Inclusion of PLE products in such applications is understood to be fully at the risk of the customer. Use of PLE products in such applications requires the written approval of an appropriate PLE officer. Questions concerning potential risk applications should be directed to PLE.

PLE does not warrant or represent that any license, either express or implied, is granted under any PLE patent right, copyright, artwork or other intellectual property right relating to any combination, machine or process which PLE product or services are used. Information published by PLE regarding third-party products or services does not constitute a license from PLE to use such products or services or a warranty or endorsement thereof. Use of such information may require a license from a third party under the patents or other intellectual property of the third party, or a license from PLE under the patents or other intellectual property of PLE.

Reproduction of information in PLE data sheets or web site is permissible only if the reproduction is without alteration and is accompanied by associated warranties, conditions, limitations and notices. Reproduction of this information with alteration is an unfair and deceptive business practice. PLE is not responsible or liable for such altered documents.

Resale of PLE products or services with statements different from or beyond the parameters stated by PLE for that product or service voids all express and implied warranties for the associated PLE product or service and is an unfair or deceptive business practice. PLE is not responsible for any such statements.

Contacting Pletronics Inc.

Pletronics Inc.
19013 36th Ave. West
Lynnwood, WA 98036-5761 USA

Tel: 425-776-1880
Fax: 425-776-2760
E-mail: ple-sales@pletronics.com
URL: www.pletronics.com

Copyright © 2007, 2008, Pletronics Inc.