

Customer Information Sheet

DRAWING No.: S1751-XXR

SHEET 2 OF 2

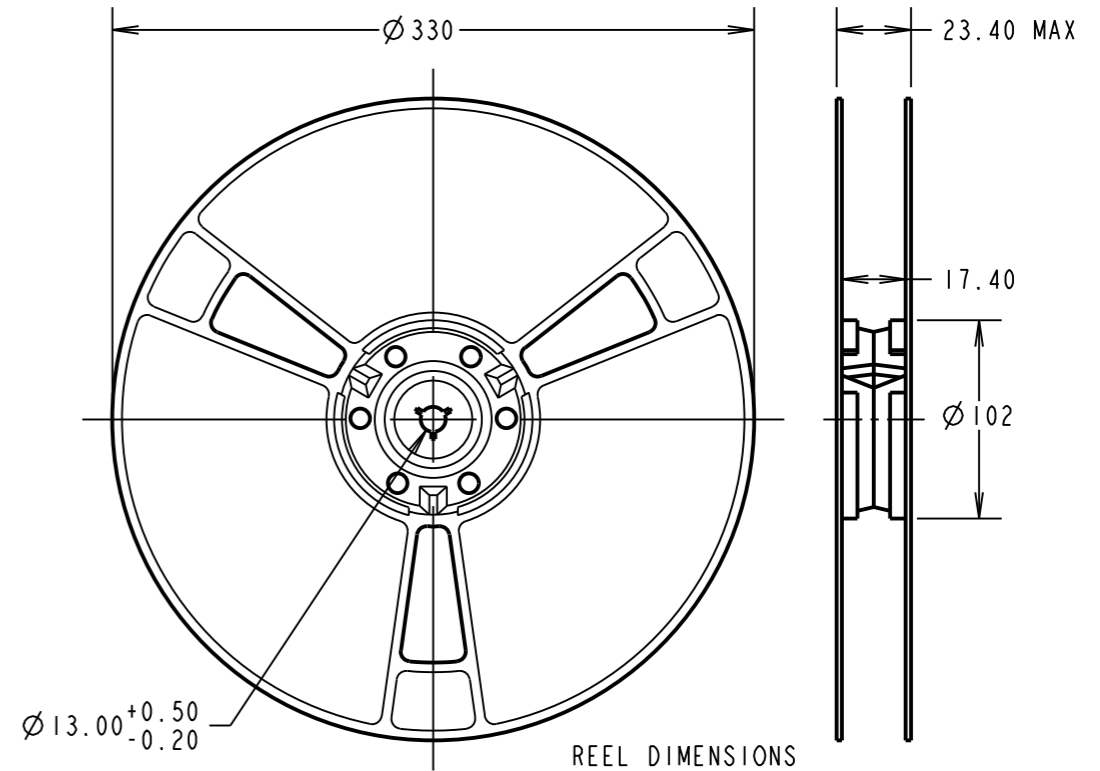
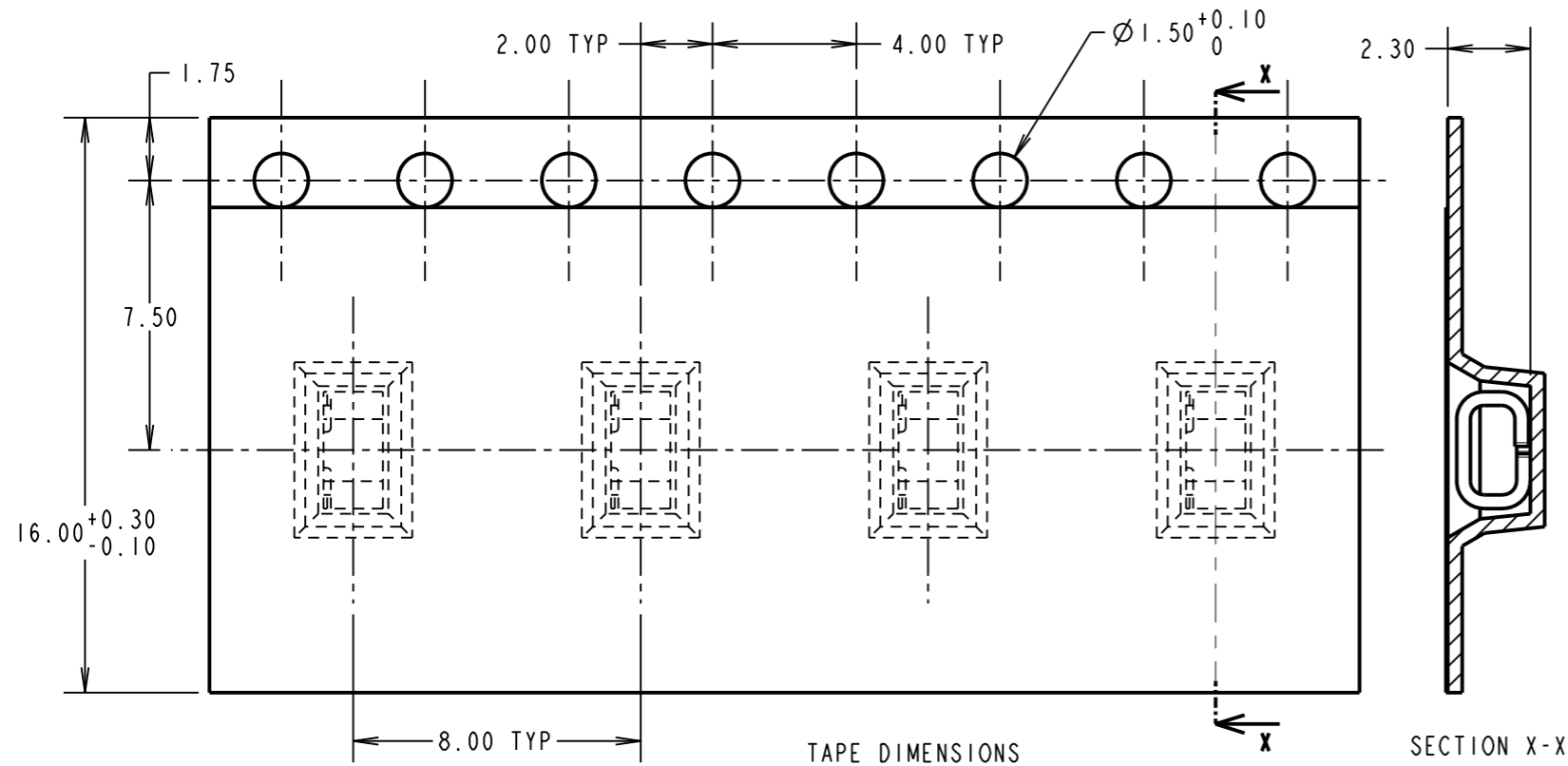
IF IN DOUBT - ASK

©

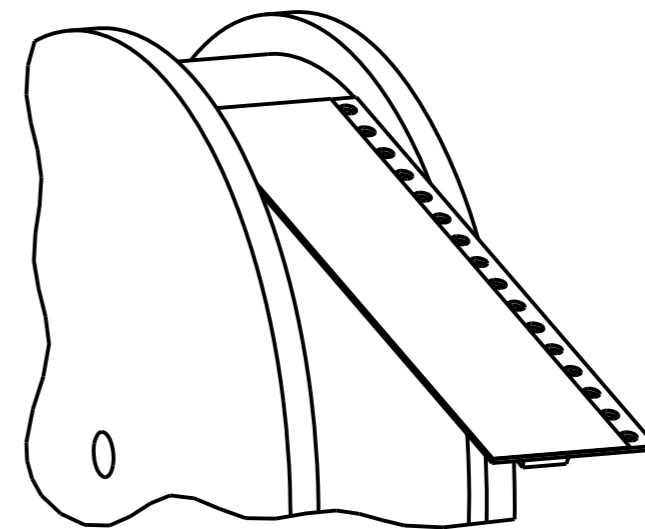
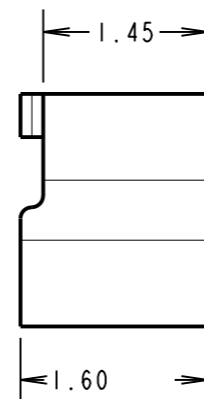
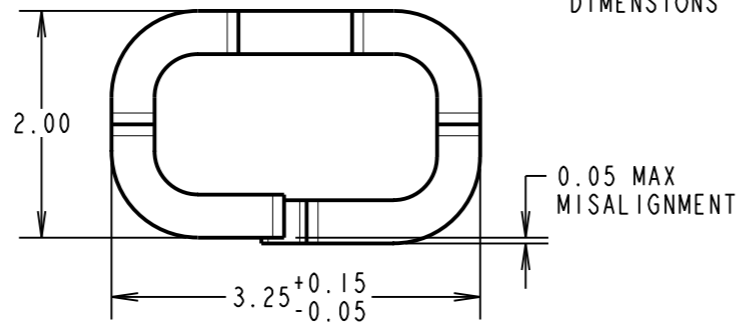
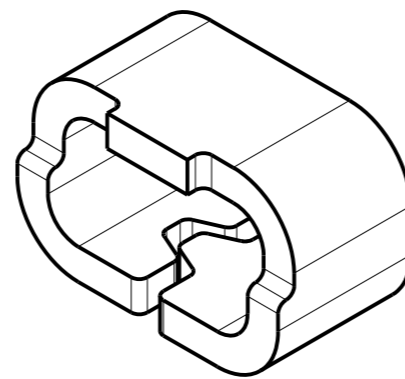
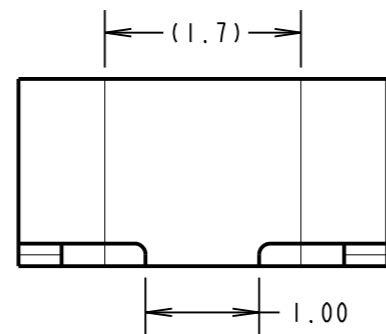
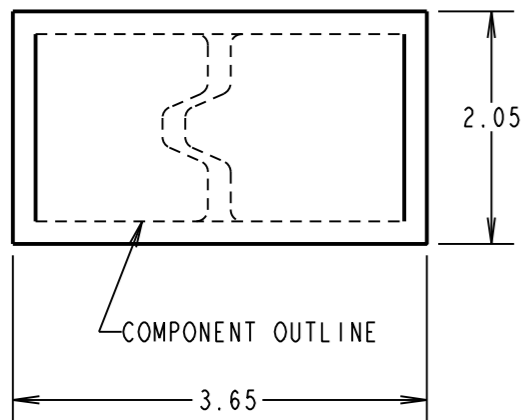
NOT TO SCALE

THIRD ANGLE PROJECTION

ALL DIMENSIONS IN mm



RECOMMENDED PAD LAYOUT



COMPONENT SPECIFICATION:
 MATERIAL = BRASS CZ106 1/2 HARD
 FINISH:
 06 = 4µ 90/10 TIN/LEAD
 46 = 4µ 100% TIN

- NOTES:
1. QUANTITY PER REEL = 2,500.
 2. THIS PRODUCT IS TAPED AND REELED IN ACCORDANCE WITH EIA-481-2-A (ELECTRONIC INDUSTRIES ASSOCIATION).
 3. FOR REELED COMPONENTS, SEE S175-XX.

SB	4	14.07.11	11375
NAME	ISS.	DATE	C/NOTE
APPROVED: S.BENNETT			
CHECKED: M.G.PLESTED			
DRAWN: W. J. BOURNE			
CUSTOMER REF.:			
ASSEMBLY DRG:			

ORDER CODE	FINISH
S1751-06R	TIN/LEAD
S1751-46R	100% TIN

HARWIN			THIS DRAWING AND ANY INFORMATION OR DESCRIPTIVE MATTER SET OUT HEREON ARE CONFIDENTIAL AND COPYRIGHT PROPERTY OF THE HARWIN GROUP AND MUST NOT BE DISCLOSED, LOANED, COPIED OR USED FOR MANUFACTURING, TENDERING OR FOR ANY OTHER PURPOSE WITHOUT THEIR WRITTEN PERMISSION.	TOLERANCES X. = ±1mm X.X = ±0.25mm X.XX = ±0.10mm X.XXX = ±0.01mm ANGLES = ±5° UNLESS STATED	MATERIAL: SEE ABOVE	TITLE: SURFACE MOUNT TEST TERMINAL (TAPE AND REELED)
HARWIN USA TEL: 603 893 5376 FAX: 603 893 5396 mis@harwin.com	HARWIN Europe (UK) TEL: 023 9231 4545 FAX: 023 9231 4590 mis@harwin.co.uk	HARWIN Asia TEL: +65 6 779 4909 FAX: +65 6 779 3868 mis@harwin.com.sg		FINISH: S/AREA: mm ²	DRAWING NUMBER: S1751-XXR	SHT 2 OF 2