

6

5

4

3

2

1

MATERIAL AND FINISH:

Insulator: Polycarbonate, UL-94V-0 rated

Contacts: Brass, Nickel plated

ELECTRICAL SPECIFICATIONS:

Current rating: 10 A

Voltage rating: 250 VAC



Current rating: 15 A

Voltage rating: 250 VAC



ORDERING CODE:

42R02-5  
1 2 3

1 = TERMINAL OPTIONS

1 = .187(4.8)

2 = .250(6.3)

2 = COLOR

1 = BLACK

2 = GRAY

3 = ELECTRICAL CIRCUIT CONFIGURATION

1 = 15A 250V 120°C

2+GROUND



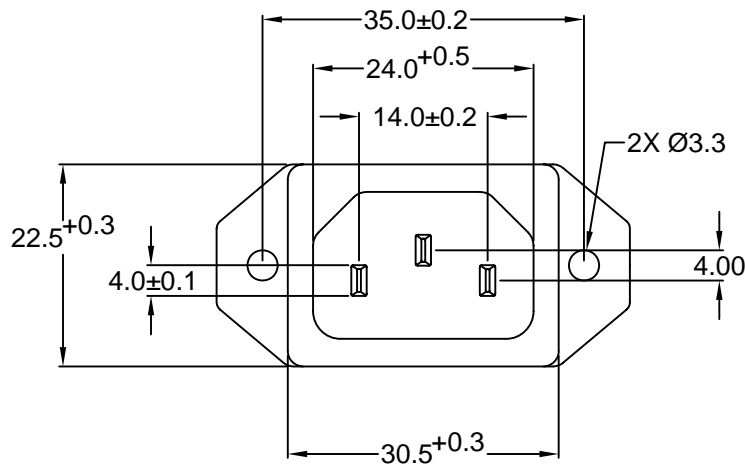
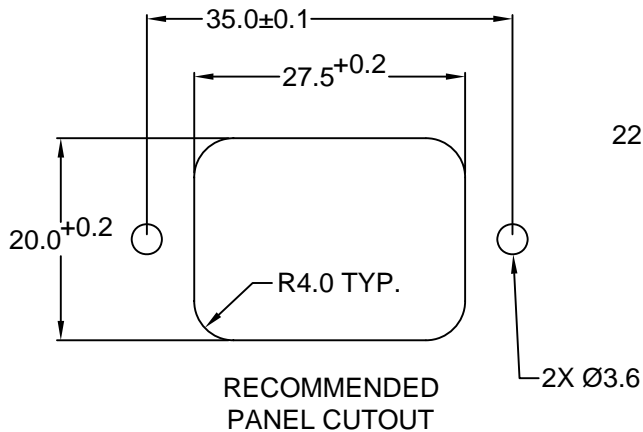
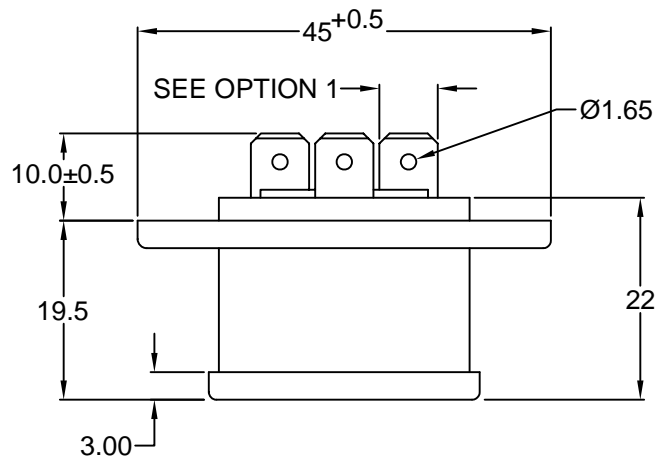
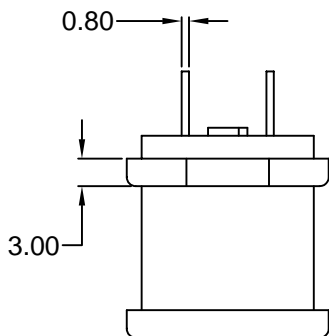
2 = 15A 250V 70°C

2+GROUND



4 = 15A 250V 70°C

2 POLE



RoHS  
COMPLIANT

REVISIONS	CHANGE	CHKG	CHK	APPR
REV	DATE			

TOLERANCE UNLESS OTHERWISE SPECIFIED		
X	±	1
X.X	±	0.4
X.XX	±	0.20
DRAWN BY	GQ	DATE: 8/9/01
CHECK BY	TD	DATE: 8/13/01
APPR BY	PB	DATE: 8/13/01

<b>Power Dynamics, Inc.</b>		
Phone: 973 560-0019 Whippany, New Jersey Fax: 973 560-0076		
PART: IEC 60320 C14 APPL. INLET; QUICK CONNECT TERMINALS; BOTTOM FLANGE		
PART #: 42R02-5XXX		SHEET 1 of 1
SIZE: A	ALL DIMENSIONS FOR REFERENCE ONLY DIMENSIONS ARE IN MILLIMETERS	
SCALE: NTS	REV:	

6

5

4

3

2

1