

ENG. NO
SD 35150-039*

EDP NO.

SIMILAR ITEM

PROJECT NO.
.070 W/W CONN'

8

7

6

5

4

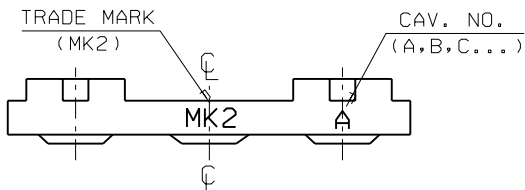
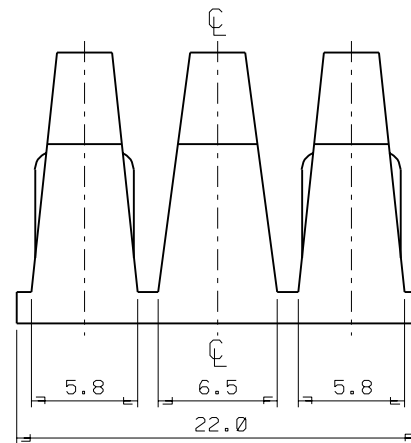
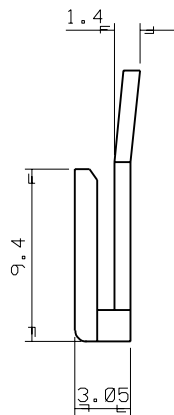
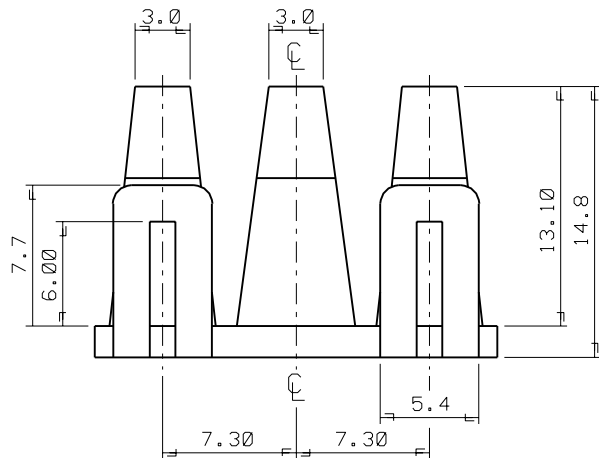
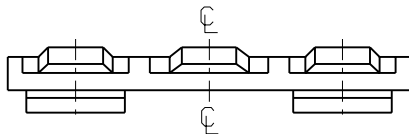
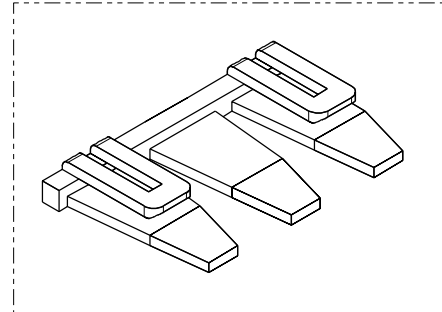
3

2

1

NOTES

- MATERIAL : NYLON 66 (UL94V-2)
- COLOR : 35150-0390 (NATURAL)
35150-0392 (RED)
35150-0393 (YELLOW)
35150-0394 (BLUE)
- MATCHED HOUSING : 35150-030* / Ø31*
35151-031*
35150-060* / Ø61*
35151-061*



				MATERIAL SEE NOTES		molex MOLEX-KOREA CO.,LTD.	
				GENERAL TOLERANCE DIMENSION : ±0.3 ANGLE : ±1°		DRAWN BY J.S.KANG CHK'D BY	
B	REVISED	95-127	95-11-22	DIMENSION CLASSIFICATION ▽: CRITICAL ▼: MAJOR (): REFERENCE		APP'D BY SCALE 4/1	
A	NEW RELEASED		92-9-14	ASS'Y PART		TITLE: 7.3 PITCH W/W CONN' SHEET 1 OF 1	
LTR	REVISION RECORD	ECN	DATE	DESCRIPTION ENG. NO.		I.P.A - 3P	
REVISE ONLY ON CAD SYSTEM				---		ENG. NO. SD 35150-039* REV B	