

**P/N: VP3101 DATA SHEET**

Page : 1/1

Feature

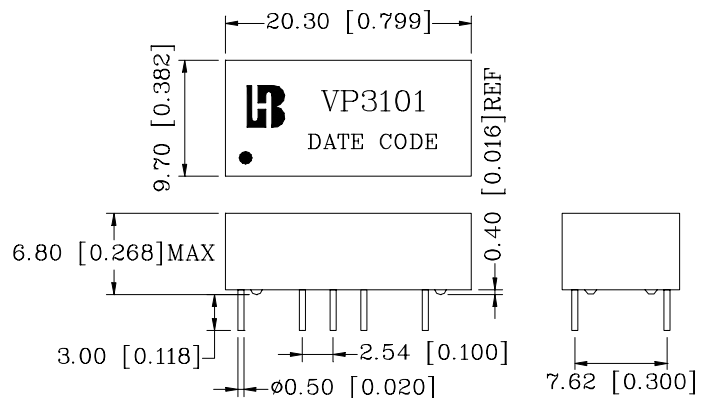
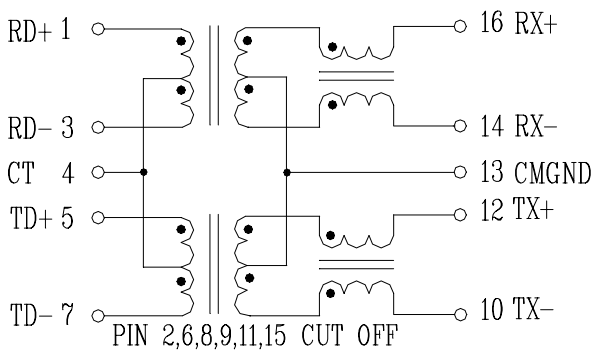
- IEEE 802.3af/ANSI X3.263 compliant performance.
- 350mA current capability.
- Designed to for IP phone or switch applications.
- 16-PIN DIP package for economic cost.
- Operating temperature range: 0°C to +70°C.
- Storage temperature range: -25°C to +125°C.

Electrical Specifications @ 25°C

Part Number	Turns Ratio (±3%)		OCL (uH Min) @100KHz/0.1Vrms with 8mA DC Bias	C _{www} (pF Max)	L.L (uH Max)	DCR (Ω Max)	HI-POT (Vrms)
	TX	RX					
VP3101	1CT:1CT	1CT:1CT	350	50	0.6	0.9	1500

Continue

Part Number	Insertion Loss (dB Max)	Return Loss (dB Min)				Cross talk (dB Min)	DCMR (dB Min)
		30MHz	40MHz	50MHz	60-80MHz		
VP3101	-1.1	-16	-15	-13	-11	-35	-30

Schematic**Mechanical**

Units: mm[Inches] Tolerances: xx.x0±0.25[0.010]
0.xx±0.05[0.002]