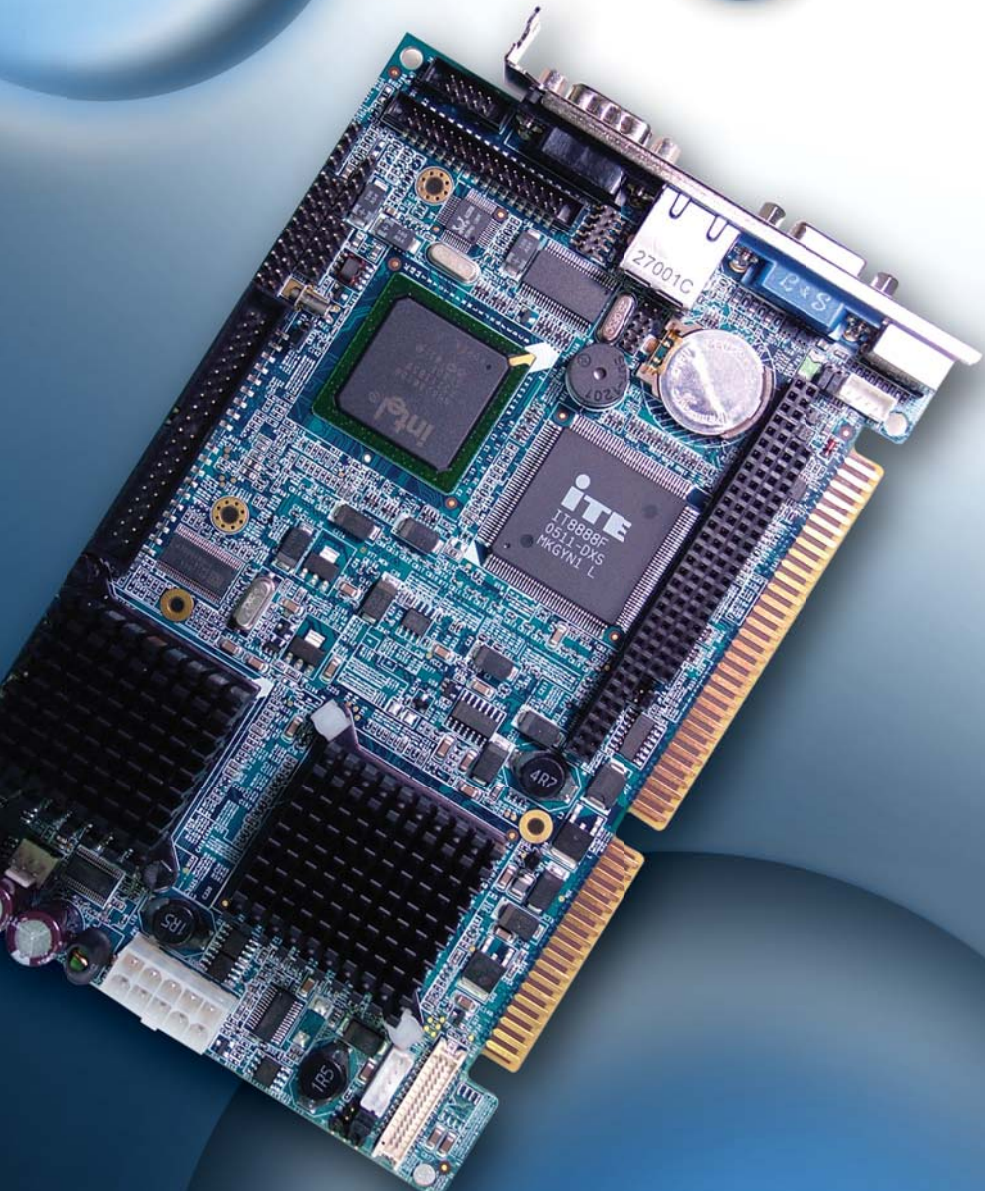


SBC



ISA-562LF

ISA ULV Celeron® M
CPU Card w / VGA /
Audio / LAN

Features :

- Support LV Pentium® M / ULV Celeron M CPU up to 1.4GHz
- Equipped with Intel® 855GME Chipset with FSB 400MHz
- Memory Supports DDR 333 SDRAM up to 2GB
- Expansion Slots for PC104+ and Mini PCI
- Support Compact Flash
- Support Gigabit LAN port with Wake-on-LAN with ATX power

Intel®
Communications
Alliance
Affiliate Member
BRONZE

 **PROTECH SYSTEMS**
It's a right choice

No. 24, Lane 365, Yang Guang St., Nei Hu District, Taipei 114, Taiwan, R.O.C.

Tel: +886-2-8751-1111

Fax: +886-2-8751-1199

Email: sales@protech.com.tw

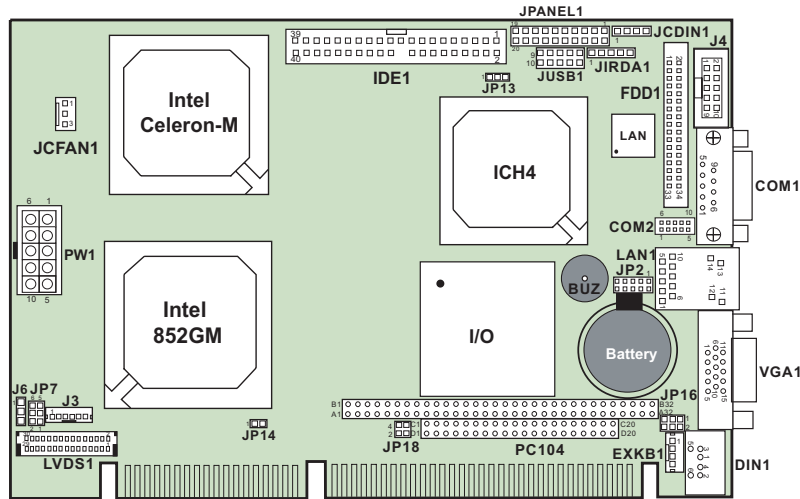
<http://www.protech.com.tw>



ISO CERTIFIED
9001 14001

ISA-562LF

ISA ULV Celeron® M CPU Card w / VGA / Audio / LAN



Specifications

System	
CPU Type	Intel® Pentium® M / Celeron® M processor
CPU Frequency	LV 1.4GHz / ULV 1.0GHz
Chipset	Intel® 855GME + ICH4 (FSB : 400MHz)
DRAM	1 x 200-pin DDR SO-DIMM, Support DDR333 SDRAM up to 1GB
BIOS	Phoenix-Award PnP BIOS, with VGA BIOS
Watchdog	1~255 secs Watchdog timer selectable w / Reset / NMI
Power Supply	Support AT / ATX power
Power Requirement	+5V, +12V
Dimension	185mm x 122mm (7.28" x 4.8")

I/O Chipset	
IDE Interface	1 x 40-pin IDE (UDMA 33/66/100)
CF	1 x compact flash slot (IDE)
FDD Interface	1
Bus Interface	PC104
Serial Port	2 x COM ports, COM1 for RS232, COM2 for RS232/422/485 (for 16550 compatible type of UART)
Parallel Port	1 x parallel (SPP / EPP / ECP)
IrDA	1 (SIR)

Keyboard	Mini DIN connector or external connector
Mouse	Mini DIN connector (selectable w / KB) or Y-cable
LAN	Intel® 82562ET (10/100Mbps) Support Wake-on-LAN with ATX power
Audio	AC '97 Codec, Realtek ALC202A with Line-in / Line-out / MIC
USB	2 x USB 2.0

Display	
Graphic	Built-in Intel® 855GME, share system memory, Support CRT, LVDS
LCD Interface	18/36-bit LVDS

Environment	
Operation Temp.	0°~60°C(32°~140°F)
Storage Temp.	-40°~85°C(-40°~185°F)
Humidity	Operation humidity 20~90%, Storage humidity 20~95%

Ordering Information	
ISA-562LF	ISA CPU card w P-M LV 1.4GHz / VGA / Audio / LAN (RoHS version)
ISA-562LF-C10	ISA CPU card w C-M ULV 1.0GHz / VGA / Audio / LAN (RoHS version)

Certificate: CE, FCC, CLASS A

All of trademarks and brand names are the property of their owners. Trademark "Protech" is the property of Protech Systems Co., Ltd. All information contained in this document is subject to change without any prior notice. This catalog is copyrighted in May, 2006.