

# bel/ defining a degree of excellence

## DIGITAL DELAY LINE SERIES A447 5 TAP

AVAILABLE IN FAST LOGIC  
REQUEST A427 SERIES

### TECHNICAL INFORMATION

#### TEST CONDITIONS

Pulse Voltage 3.2 Volts  
Rise Time 3.0 Nsec (10%-90%)  
Pulse Width  $1.2 \times$  Total Delay  
Pulse Period  $4 \times$  Pulse Width  
Supply Current,  $I_{CC}$  60.0 Milliamps  
typical  
Supply Voltage,  $V_{CC}$  5.0 Volts  
Ambient Temperature 25°C

#### PERFORMANCE CHARACTERISTICS

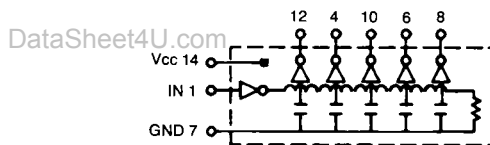
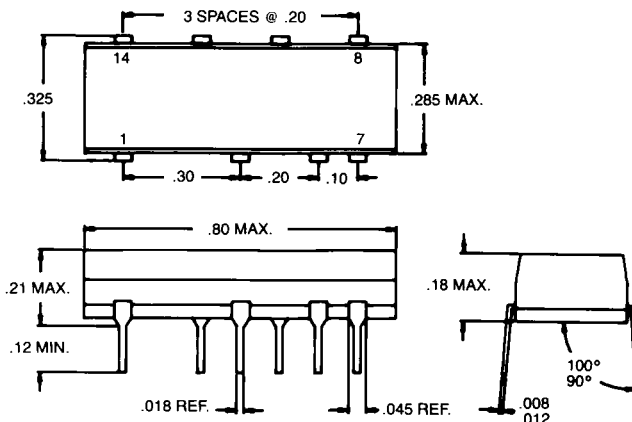
Delay Tolerance From Input To Tap  
 $\pm 2$  Nsec or 5% whichever is greater  
Delay Tolerance From Tap To Tap  
 $\pm 2$  Nsec or 7% whichever is greater  
Performance Characteristics apply at  
above listed Test Conditions.

#### ELECTRICAL CHARACTERISTICS

Supply Voltage,  $V_{CC}$   
4.75 to 5.25 Volts  
Logic 1 Input Current  
50 Microamp max.  
Logic 0 Input Current  
- 2 Milliamp max.  
Logic 1 Output Voltage  
2.7 Volts min.  
Logic 0 Output Voltage  
0.5 Volts max.  
Operating Temperature Range  
0°C To 70°C  
Temperature Coefficient Of Total Delay  
500PPM/°C Typical  
Minimum Input Pulse Width  
40% Of Total Delay  
Maximum Duty Cycle  
50%

#### DRIVE CAPABILITIES

10 TTL Loads/Tap max.  
20 TTL Loads/Unit max.  
—Compatible with TTL and DTL circuits  
—Other delays and tolerances upon  
request



Part Number	Total Delay 1, 3	Delay/Tap 1, 3	Rise Time 2, 3
A447-0025-02	25NS	5NS	4NS
A447-0030-02	30NS	6NS	4NS
A447-0040-02	40NS	8NS	4NS
A447-0050-02	50NS	10NS	4NS
A447-0060-02	60NS	12NS	4NS
A447-0070-02	70NS	14NS	4NS
A447-0080-02	80NS	16NS	4NS
A447-0090-02	90NS	18NS	4NS
A447-0100-02	100NS	20NS	4NS
A447-0125-02	125NS	25NS	4NS
A447-0150-02	150NS	30NS	4NS
A447-0200-02	200NS	40NS	4NS
A447-0250-02	250NS	50NS	4NS
A447-0300-02	300NS	60NS	4NS
A447-0400-02	400NS	80NS	4NS
A447-0450-02	450NS	90NS	4NS
A447-0500-02	500NS	100NS	5NS

1 Delays measured at 1.5 Volts level on Leading Edge only.  
2 Rise Times measured from .75 Volts to 2.4 Volts.  
3 Measured with no loads on taps.

Specifications Subject To Change Without Notice

www.DataSheet4U.com

BEL FUSE INC./198 VAN VORST STREET/JERSEY CITY, NJ 07302/(201) 432-0463/TWX 710-730-5301/FAX (201) 432-9542 9

DataSheet4U.com