

NOTES:

1. MATERIAL:

HOUSING: LIQUID CRYSTAL POLYMER (LCP), GLASS-FILLED, UL94V-0,
COLOR: BLACK

TERMINALS: BRASS

2. FINISH:

TERMINAL: 0.76 MICROMETERS/30 MICROINCHES MINIMUM SELECTIVE GOLD
IN CONTACT AREA; 1.27 MICROMETERS/50 MICROINCHES MINIMUM
SELECTIVE TIN IN THE PC TAIL AREA; NICKEL UNDERPLATE OVERALL.

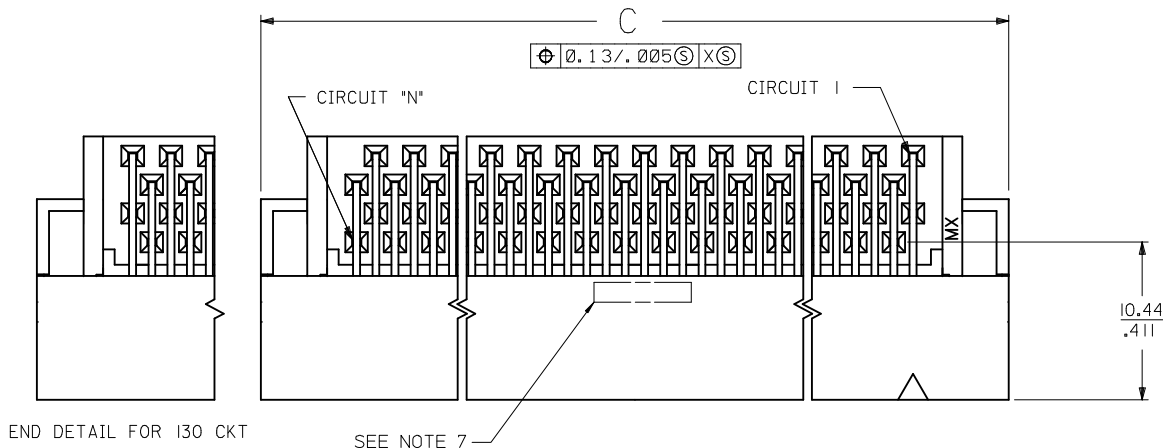
3. CONFORMS TO PRODUCT SPEC: PS-71660

4. PRODUCT PACKAGED PER PK-70873-084*

5. ASSEMBLY MATES WITH MOLEX P/N SDA-71660-7***

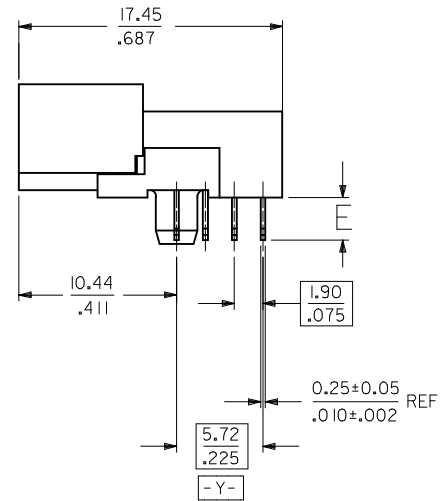
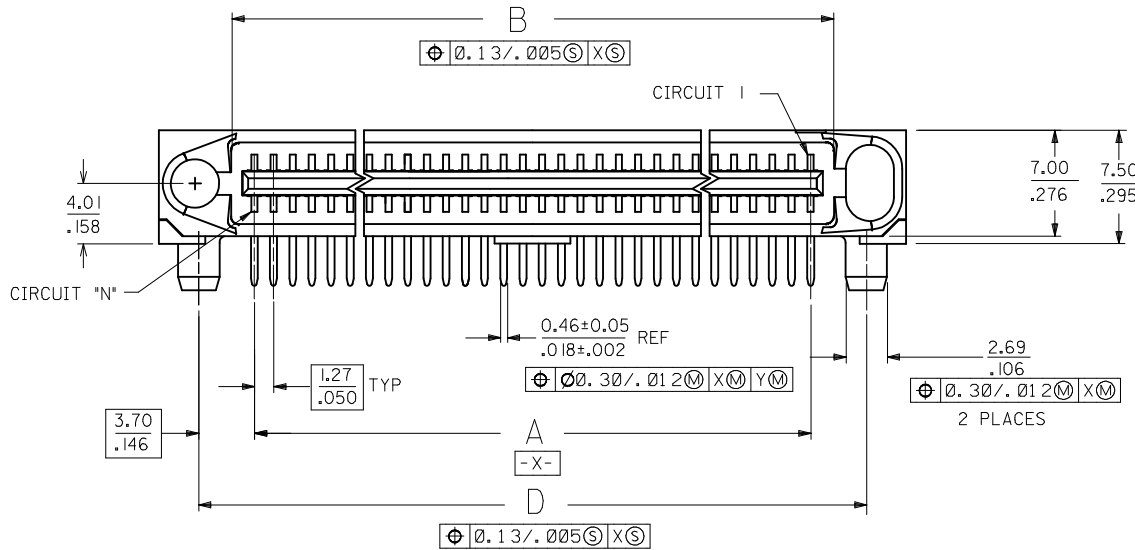
6. RECOMMENDED PC BOARD THICKNESS IS 1.6 MM/0.62 IN

7. FOUR DIGIT DATE CODE (WK.YR) EXAMPLE 26 96 LOCATED IN AREA SHOWN

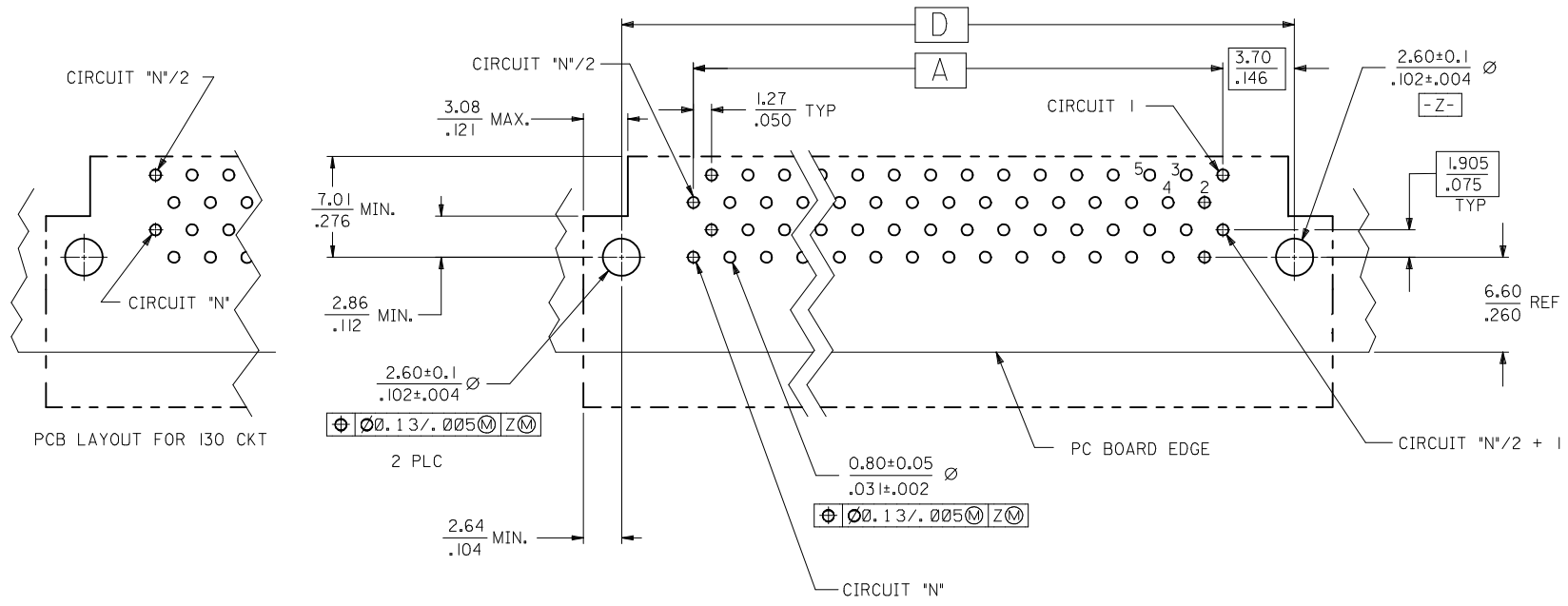


END DETAIL FOR 130 CKT

SEE NOTE 7

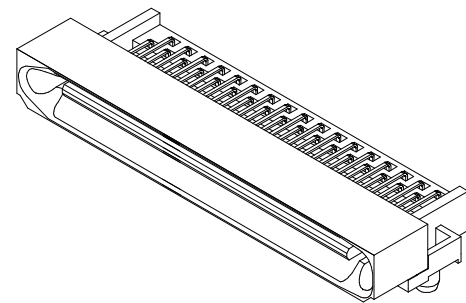


CHANGE MATERIAL EC NO: UCP2009-1254 DRWN:MSIBARRA 2008/12/19 CHKD:BSMART 2009/01/06 APPR:SMILLER 2009/01/06	QUALITY SYMBOLS ▽=0 ▽=0	GENERAL TOLERANCES (UNLESS SPECIFIED) mm INCH 4 PLACES ± --- ± --- 3 PLACES ± --- ± .010 2 PLACES ± 0.25 ± --- 1 PLACE ± --- ± --- ANGULAR ± 1/2°	DIMENSION STYLE MM/IN DRAWN BY DATE RAN 1995/04/26 CHECKED BY DATE RAN 1995/04/26 APPROVED BY DATE CAB 1995/04/26	SCALE 4:1	DESIGN UNITS INCH	THIRD ANGLE PROJECTION
	SALES ASSMBLY EBBI 50D RIGHT ANGLE BLIND MATE PLUG					
	MOLEX INCORPORATED					
	DRAFT WHERE APPLICABLE MUST REMAIN WITHIN DIMENSIONS				MATERIAL NO. SEE TABLE	DOCUMENT NO. SDA-71661-25**



RECOMMENDED PC BOARD LAYOUT
 COMPONENT SIDE
 SEE NOTE 6

3.491 (88.67)	3.699 (93.95)	3.320 (84.33)	3.200 (81.28)	.110 (2.79)	130	71661-2513
2.741 (69.63)	2.949 (74.90)	2.570 (65.28)	2.450 (62.23)	.110 (2.79)	100	71661-2511
2.241 (56.92)	2.449 (62.20)	2.070 (52.586)	1.950 (49.53)	.110 (2.79)	80	71661-2580
1.941 (49.31)	2.149 (54.58)	1.770 (44.96)	1.650 (41.91)	.110 (2.79)	68	71661-2568
1.941 (49.31)	2.149 (54.58)	1.770 (44.96)	1.650 (41.91)	.125 (3.18)	68	71661-2518
1.241 (31.53)	1.449 (36.80)	1.070 (27.18)	.950 (24.13)	.110 (2.79)	40	71661-2540
D	C	B	A	E	CKT (*N')	ITEM NUMBER



68 CIRCUIT ASSEMBLY SHOWN
 SCALE 2:1

UPDATE REV LEVEL EC NO: UCP2009-1254 DRWN:MS BARRA 2008/12/19 CHKD:BSMART 2009/01/06 APPR:SMILLER 2009/01/06	DESCRIPTION K	QUALITY SYMBOLS	GENERAL TOLERANCES (UNLESS SPECIFIED)	DIMENSION STYLE	SCALE	DESIGN UNITS	THIRD ANGLE PROJECTION	
		$\nabla=0$ $\nabla=0$	mm INCH	MM/IN	4:1	INCH		
			4 PLACES ± --- ± ---	DRAWN BY DATE	TITLE	SALES ASSMBLY		
			3 PLACES ± --- ± .010	CHECKED BY DATE		EBBI 50D RIGHT ANGLE		
	2 PLACES ± 0.25 ± ---	RAN DATE		BLIND MATE PLUG				
	1 PLACE ± --- ± ---	APPROVED BY DATE		MOLEX INCORPORATED				
	ANGULAR ±1/2°	CAB 1995/04/26		MATERIAL NO. SEE TABLE				
				DOCUMENT NO. SDA-71661-25**				
				SHEET NO. 2 OF 2				
				THIS DRAWING CONTAINS INFORMATION THAT IS PROPRIETARY TO MOLEX INCORPORATED AND SHOULD NOT BE USED WITHOUT WRITTEN PERMISSION				