

PLEASE CHECK WWW.MOLEX.COM FOR LATEST PART INFORMATION

Part Number: [0687860006](#)
Status: **Active**
Overview: [type d micro connectors](#)
Description: HDMI Type D-to-Type A Cable Assembly, CAT 2, AWG 36, 1.5m (4.92'), Lead free

Documents:

[Drawing \(PDF\)](#) [RoHS Certificate of Compliance \(PDF\)](#)

General

Product Family	Cable Assemblies
Series	68786
Connector to Connector	HDMI* Type D-to-Type A
Overview	type d micro connectors
Product Name	HDMI*, Micro HDMI*

Physical

Cable Length	1.50m (4.92')
Circuits (Loaded)	19
Gender	Male-Male
Lock to Mating Part	Yes
Material - Resin	Polyethylene, PVC
Pitch - Mating Interface (in)	0.016 In, 0.039 In
Pitch - Mating Interface (mm)	0.40 mm, 1.00 mm
Single Ended	No
Wire Size AWG	36
Wire/Cable Type	Round

Electrical

Shield Type	Full Shield
Shielded	Yes
Voltage - Maximum	30V

Material Info

Reference - Drawing Numbers

Sales Drawing	SD-68786-001
---------------	--------------

* High Definition Multimedia Interface and HDMI are trademarks of HDMI Licensing, LLC.



image - Reference only

EU RoHS

**ELV and RoHS
Compliant**
**REACH SVHC
Not Reviewed**
**Halogen-Free
Status**

China RoHS



**Need more information on product
environmental compliance?**

Email productcompliance@molex.com
 For a multiple part number RoHS Certificate of
 Compliance, [click here](#)

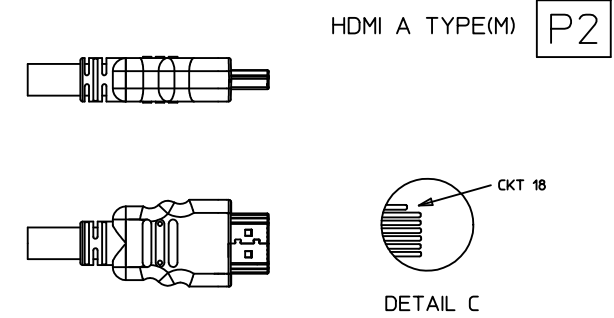
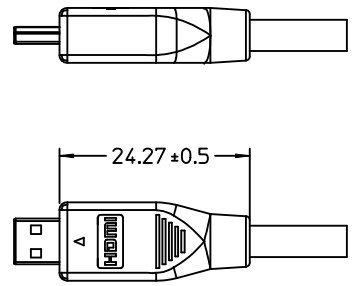
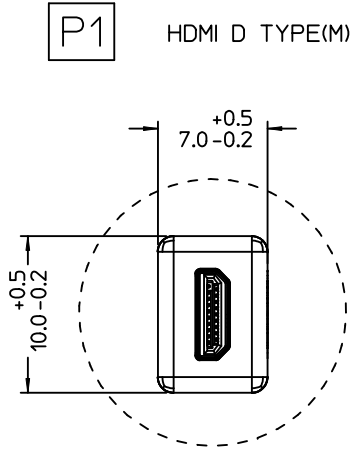
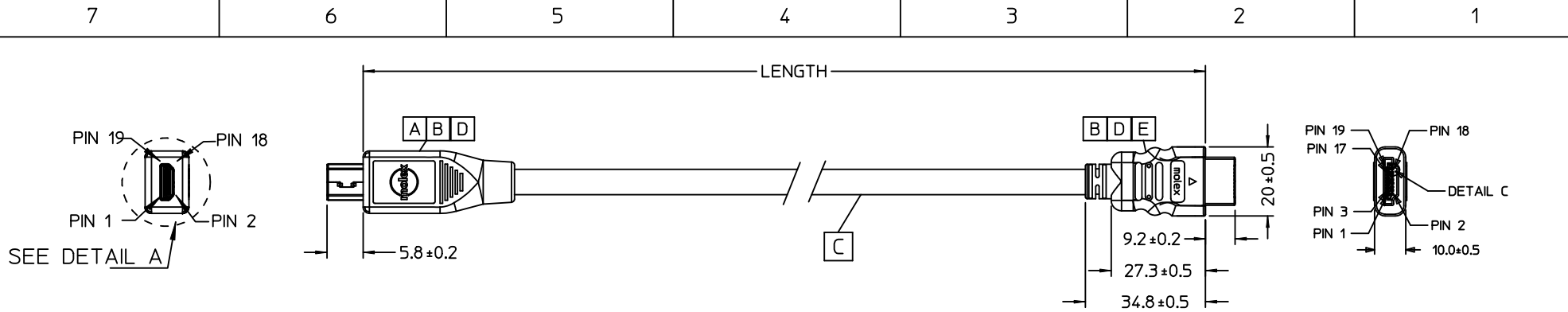
Please visit the [Contact Us](#) section for any
 non-product compliance questions.

Search Parts in this Series

68786Series

Mates With

46765 HDMI Type D Micro Connectors



P/N	L&TOL.(mm)	DESCRIPTION
687860001	1000±20	HDMI A-D CABLE ASSEMBLY BLK,0D3.7,34AWG
687860002	1500±20	HDMI A-D CABLE ASSEMBLY BLK,0D3.7,34AWG
687860003	2000±30	HDMI A-D CABLE ASSEMBLY BLK,0D4.2,32AWG
687860006	1500±20	HDMI A-D CABLE ASSEMBLY BLK,0D3.2,36AWG

CHANGE 34AWG CABLE INNER WIRE COLOR EC NO: DG2010-0162 DRW: FZHANG01 CHK: D:ARTHUR APPR: BLAU	DESCRIPTION 2010/02/23 2010/02/23 2010/02/24	QUALITY SYMBOLS ▽=0 ◻=0	GENERAL TOLERANCES (UNLESS SPECIFIED)		DIMENSION STYLE MM ONLY		SCALE ---	DESIGN UNITS METRIC	THIRD ANGLE PROJECTION		
				mm	INCH	DRAWN BY FZHANG01	DATE 2010/02/23	TITLE HDMI TYPE A TO TYPE D CABLE ASSEMBLY MOLEX INCORPORATED DOCUMENT NO. SD-68786-001			
			4 PLACES	± ---	± ---	CHECKED BY ARTHUR	DATE 2010/02/23				
			3 PLACES	± ---	± ---	APPROVED BY BLAU	DATE 2010/02/24				
2 PLACES	± ---	± ---	ANGULAR ± 1 °		MATERIAL NO.		SHEET NO.				
1 PLACE	± ---	± ---	DRAFT WHERE APPLICABLE MUST REMAIN WITHIN DIMENSIONS		SEE TABLE		1 OF 2				
					SIZE A 4	THIS DRAWING CONTAINS INFORMATION THAT IS PROPRIETARY TO MOLEX INCORPORATED AND SHOULD NOT BE USED WITHOUT WRITTEN PERMISSION					

WIRE CHART FOR CABLE 32AWG

P1	FUNCTION	P2	WIRE COLOR
Pin 1	HOT PLUG DETECT	Pin 19	BLACK
Pin 2	UTILITY	Pin14	BROWN
Pin 3	TMDS DATA2+	Pin 1	WHITE
Pin 4	TMDS DATA2 GND	Pin 2	DRAIN WIRE
Pin 5	TMDS DATA2-	Pin 3	RED
Pin 6	TMDS DATA1+	Pin 4	WHITE
Pin 7	TMDS DATA1 GND	Pin 5	DRAIN WIRE
Pin 8	TMDS DATA1-	Pin 6	GREEN
Pin 9	TMDS DATA0+	Pin 7	WHITE
Pin 10	TMDS DATA0 GND	Pin 8	DRAIN WIRE
Pin 11	TMDS DATA0-	Pin 9	BLUE
Pin 12	TMDS CLOCK+	Pin 10	WHITE
Pin 13	TMDS CLOCK GND	Pin 11	DRAIN WIRE
Pin 14	TMDS CLOCK-	Pin 12	YELLOW
Pin 15	CEC	Pin 13	RED
Pin 16	DDC/CEC GND	Pin 17	YELLOW
Pin 17	SCL	Pin 15	GREEN
Pin 18	SDA	Pin 16	BLUE
Pin 19	+5V POWER	Pin 18	WHITE
SHELL		SHELL	BRAID

WIRE CHART FOR CABLE 34AWG

P1	FUNCTION	P2	WIRE COLOR
Pin 1	HOT PLUG DETECT	Pin 19	ORANGE
Pin 2	UTILITY	Pin14	BROWN
Pin 3	TMDS DATA2+	Pin 1	WHITE
Pin 4	TMDS DATA2 GND	Pin 2	DRAIN WIRE
Pin 5	TMDS DATA2-	Pin 3	RED
Pin 6	TMDS DATA1+	Pin 4	WHITE
Pin 7	TMDS DATA1 GND	Pin 5	DRAIN WIRE
Pin 8	TMDS DATA1-	Pin 6	GREEN
Pin 9	TMDS DATA0+	Pin 7	WHITE
Pin 10	TMDS DATA0 GND	Pin 8	DRAIN WIRE
Pin 11	TMDS DATA0-	Pin 9	BROWN
Pin 12	TMDS COLOK+	Pin 10	WHITE
Pin 13	TMDS COLOK GND	Pin 11	DRAIN WIRE
Pin 14	TMDS COLOK-	Pin 12	BLUE
Pin 15	CEC	Pin 13	RED
Pin 16	DDC/CEC GND	Pin 17	YELLOW
Pin 17	SCL	Pin 15	GREEN
Pin 18	SDA	Pin 16	BLUE
Pin 19	+5V POWER	Pin 18	WHITE
SHELL		SHELL	BRAID

WIRE CHART FOR CABLE 36AWG

P1	FUNCTION	P2	WIRE COLOR
Pin 1	HOT PLUG DETECT	Pin 19	RED
Pin 2	UTILITY	Pin14	BLUE
Pin 3	TMDS DATA2+	Pin 1	WHITE
Pin 4	TMDS DATA2 GND	Pin 2	DRAIN WIRE
Pin 5	TMDS DATA2-	Pin 3	RED
Pin 6	TMDS DATA1+	Pin 4	WHITE
Pin 7	TMDS DATA1 GND	Pin 5	DRAIN WIRE
Pin 8	TMDS DATA1-	Pin 6	GREEN
Pin 9	TMDS DATA0+	Pin 7	WHITE
Pin 10	TMDS DATA0 GND	Pin 8	DRAIN WIRE
Pin 11	TMDS DATA0-	Pin 9	BLUE
Pin 12	TMDS COLOK+	Pin 10	WHITE
Pin 13	TMDS COLOK GND	Pin 11	DRAIN WIRE
Pin 14	TMDS COLOK-	Pin 12	BROWN
Pin 15	CEC	Pin 13	WHITE
Pin 16	DDC/CEC GND	Pin 17	GREEN
Pin 17	SCL	Pin 15	BROWN
Pin 18	SDA	Pin 16	YELLOW
Pin 19	+5V POWER	Pin 18	ORANGE
SHELL		SHELL	BRAID

NOTES:

- BOTH SIDE INNERMOLD WITH PE RESIN.
BOTH SIDE INNERMOLD WITH PVC RESIN.
- PRODUCT CAN MEET HDMI SPECIFICATION.
- THIS PRODUCT MUST MEET EU2002/95 ROHS REQUIREMENTS.

E	HDMI A HOUSING ASSEMBLY	1
D	LOCTITE 416 GLUE	AS
C	RAW CABLE (SEE TABLE)	AS
B	COPPER FOIL	2
A	MICRO HDMI CONNECTOR	1
ITEM	DESCRIPTION	QTY.

CHANGE 34AWG CABLE INNER WIRE COLOR EC NO: DG2010-0162 DRWN:FZHANG01 2010/02/23 CHKD:ARTHUR 2010/02/23 APPR:BLAU 2010/02/24	QUALITY SYMBOLS ▽=0 ▽=0	GENERAL TOLERANCES (UNLESS SPECIFIED)		DIMENSION STYLE MM ONLY		SCALE ---	DESIGN UNITS METRIC	THIRD ANGLE PROJECTION		
				mm	INCH	DRAWN BY FZHANG01	DATE 2010/02/23	TITLE HDMI TYPE A TO TYPE D CABLE ASSEMBLY		
		4 PLACES		± ---	± ---	CHECKED BY ARTHUR	DATE 2010/02/23	MOLEX INCORPORATED		
		3 PLACES		± ---	± ---	APPROVED BY BLAU	DATE 2010/02/24	DOCUMENT NO. SD-68786-001	SHEET NO. 2 OF 2	
2 PLACES		± ---	± ---	DRAFT WHERE APPLICABLE MUST REMAIN WITHIN DIMENSIONS		THIS DRAWING CONTAINS INFORMATION THAT IS PROPRIETARY TO MOLEX INCORPORATED AND SHOULD NOT BE USED WITHOUT WRITTEN PERMISSION				
1 PLACE		± ---	± ---	ANGULAR ± 1 °						