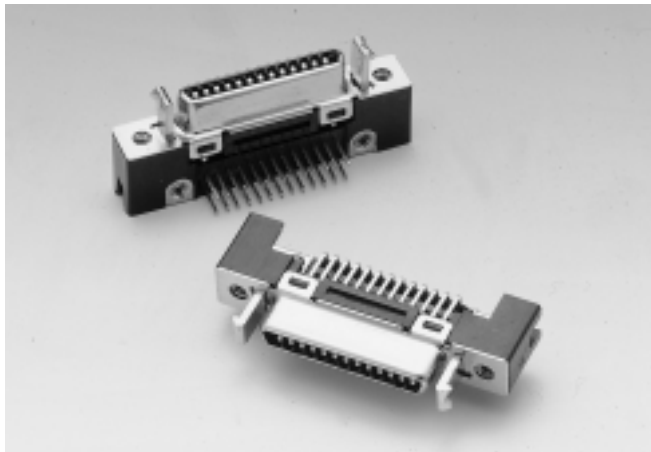


# HALF PITCH ULTRA THIN D-SUB

## RIGHT ANGLE P.C.B. MOUNT (FEMALE TYPE)

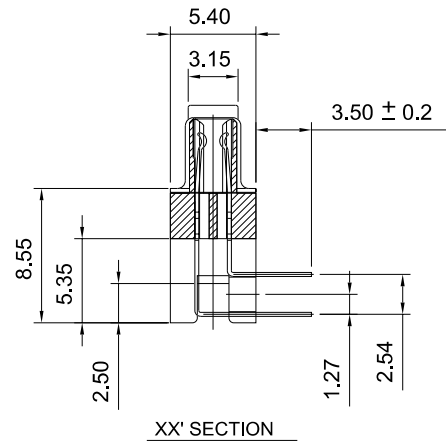
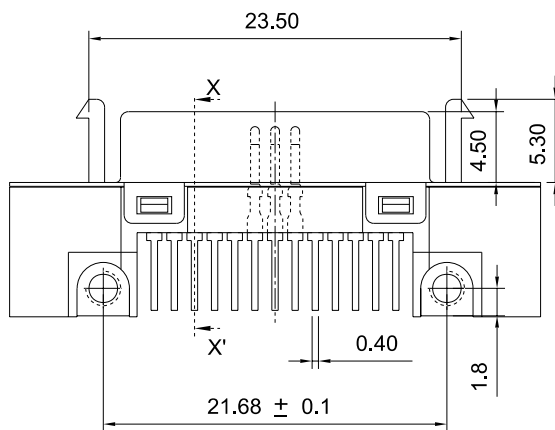
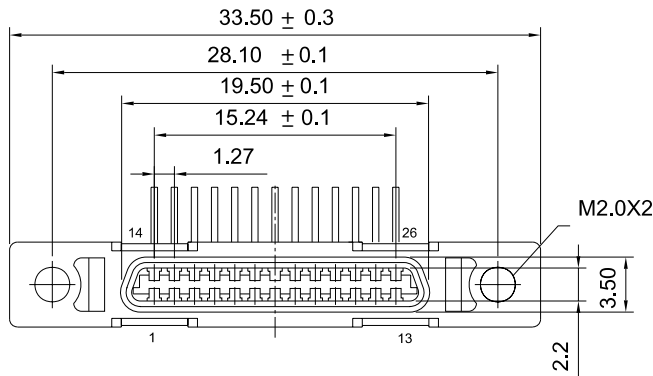


### 127115FR Series

Mates with SUYIN 127116, 127120 Series

#### Specifications:

- 26 Circuits
- Insulator Material : Black High Temp. Plastic
- Die Cast Locking : Nickel Plated Zinc-Alloy Die Cast
- Operating Temp. Range : -40°C to +230°C
- Terminal Material : Phosphor Bronze
- Plating : Selective Plated (Gold/Tin)  
: Metal shell-Nickel Plated
- Max. Current Rating : 0.5A
- Voltage Rating : 150V AC
- Dielectric Strength : 500V (Min. 60 Seconds)



### Order Information

127115FR026S500ZU  
1 2 3 4 5

1. 'R' : Right Angle Dip Type
  2. No. of Pins
  3. Plating  
'S5' : 30u" selctive gold in contact area  
/min. 100u"tin solder area
  4. Color 'Z' : Black
  5. Package  
'U' : Tube Package Without Cap
- Reference Page 11

### Recommended P.C.B Layout

