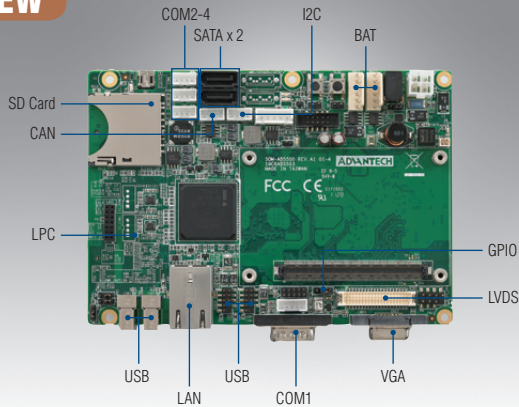


SOM-AB5500

COM-Express Mini Application Board

NEW



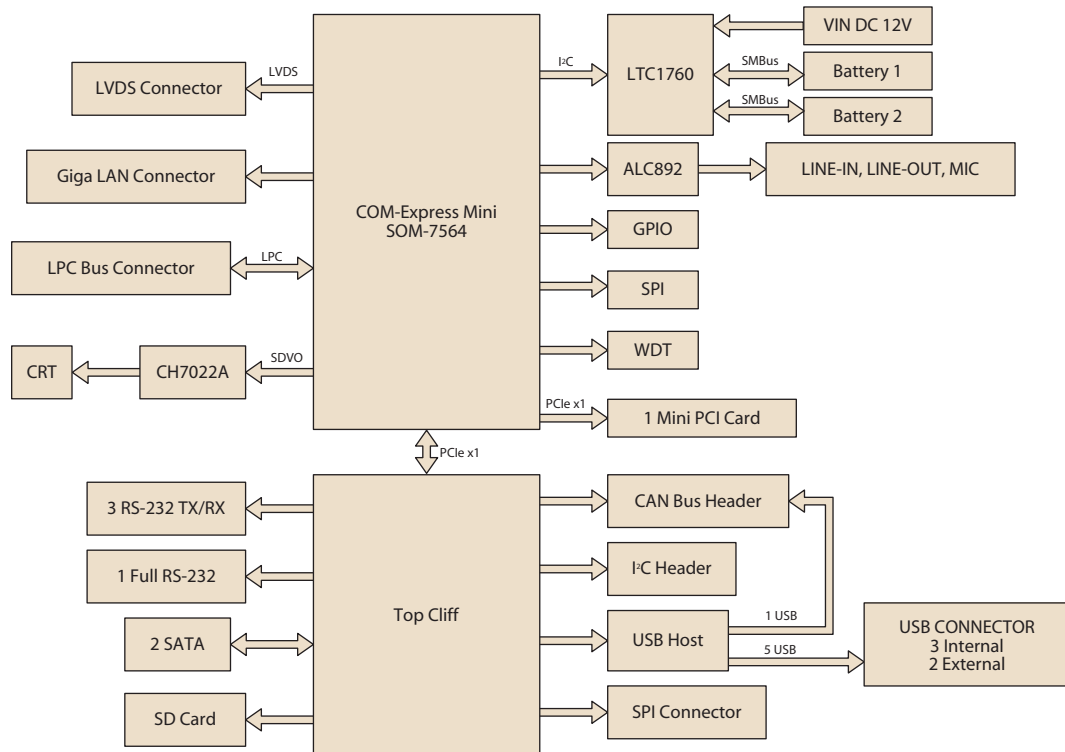
Features

- Supports COM-Express Mini Module at 3.5" Form-factor
- Supports Smart Battery Control
- Display type: VGA, LVDS
- Expansion: 1 mini PCIe, LPC
- 4 COMs, 2 SATA, 5 USB 2.0, CAN bus, 1 Gigabit LAN

Specifications

Form Factor		3.5" form factor
Compatible Models		Advantech COM-Express Mini Module (84 x 55 mm)
Display	LVDS	LVDS (Spec. depends on COM module)
	VGA	1 port. (Spec. depends on CPU module)
	Dual Display	LVDS + CRT
Ethernet	Interface	10/100/1000 Mbps
	Controller	GbE LAN1 (Spec. depends on CPU module)
	Connector	RJ-45 x 1
Audio	Chipset	ALC 892
	Amplifier	Yes. (2W)
Expansion	Mini PCIe	1
Rear I/O	VGA	1
	Ethernet	1
	USB	2 (USB 2.0)
	Serial	1 (COM1 supports RS-232)
Internal Connector	LVDS	1 LVDS
	USB	3 x USB 2.0
	Serial	3 x RS-232 (TX/RX only)
	SATA	2
	SDIO	1
	GPIO	8-bit (From COM-Express Mini module)
	Smart Battery	2
	SPI	1
	I ² C	1 (From COM-Express Mini Module)
CAN Bus	1	
Power	Power Type	ATX/ AT mode +12V, +5VSB
Environment	Operating Temperature	0 ~ 60° C (32 ~ 140° F)
	Operating Humidity	0% ~ 90% relative humidity, non-condensing
Mechanical	Dimensions	146 x 102mm (5.7" x 4")

Block Diagram



Ordering Information

Part No.	Compatible model	LVDS	CRT	Giga LAN	HD Audio	COM	SDIO	CAN Bus	Mini PCIe	USB 2.0	SATA	LPT	Smart Battery	Operating Temp.
SOM-AB5500-00A1E	SOM-7564 series	Yes	Yes	1	Yes	4	1	1	1	5	2	Yes	2	0 ~ 60° C