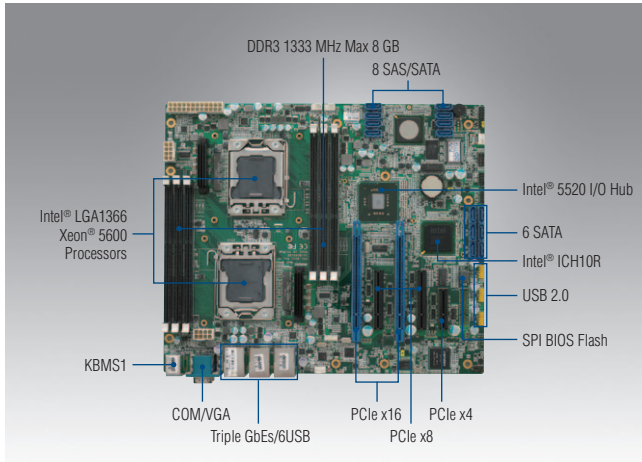


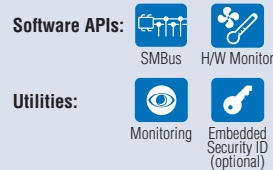
# ASMB-310IR

**Dual LGA 1366 Intel® Xeon®  
5500/5600 CEB Server Board with  
2 PCIe x16 or 4 PCIe x8, SAS RAID**



## Features

- High density CEB with dual processors, 6 DIMMs, on-board SAS, 6 PCIe Gen 2.0, IPMI
- Dual LGA 1366 Intel® Xeon® 5500/5600 processors
- DDR3 1333MHz up to 96GB
- Dual Gen 2.0 PCIe x16 or quad PCIe x8 slots
- 8 SAS ports, 6 SATA ports, totally 14 storage ports

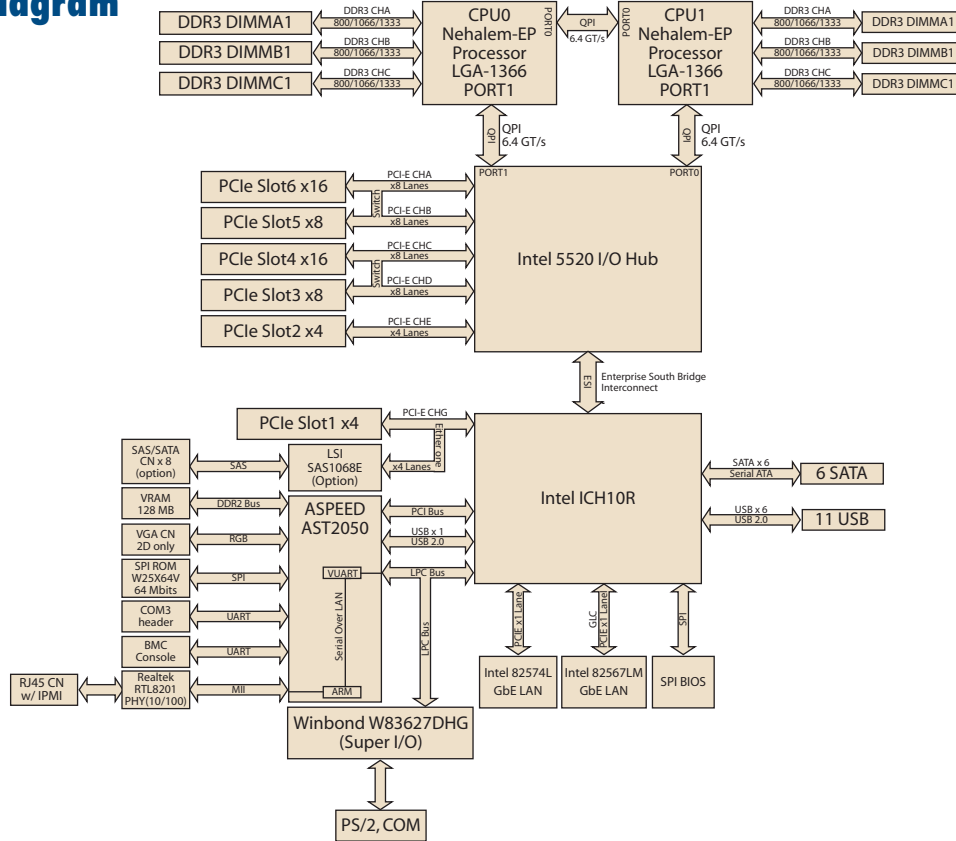


Note: Two CPU coolers are included in packing list.

## Specifications

Form Factor		CEB form factor		
Processor System	Socket	2 x socket 1366		
	CPU type	Intel Xeon 5600 series, Intel Xeon X5500 series (95 W), Intel Xeon E5500 series (80 W), Intel Xeon L5500 series (60 W/38 W)		
Core Logic	Bus	QPI 4.8 / 5.86 / 6.4 GT/s		
	Chipset	Intel 5520 chipset IOH, Intel ICH10R I/O controller		
Memory	Total slots	6 (3-channel per CPU, 3 DIMM per CPU)		
	Capacity	Maximum up to 96 GB		
	Memory type	DDR3 800/1066/1333 reg DIMM/unbuffered DIMM with ECC		
Expansion Slots (SSI location #)	Memory size	1 GB, 2 GB, 4 GB, 8 GB, 16 GB		
	Total PCI/PCI-X/PCIe slots	6		
	Slot location 1	1 x PCIe x4 (Gen1 X4 link) (This slot is not available in ASMB-310IR SKU)		
	Slot location 2	1 x PCIe x4 (Gen2 X4 link)		
	Slot location 3	1 x PCIe x8 (Gen2 X8 link)		
	Slot location 4	1 x PCIe x16 (Gen2 X16 link) (Auto switch to x8 link if slot 3 is occupied)		
	Slot location 5	1 x PCIe x8 (Gen2 X8 link)		
	Slot location 6	1 x PCIe x16 (Gen2 x16 link) (Auto switch to x8 link if slot 5 is occupied)		
Graphics	Slot location 7	-		
	VGA	Aspeed AST2050 DDR2 512 Mbit (64 MB)		
	IDE controller	-		
Storage	SATA controller	Intel ICH10R: 6 SATA2 300 MB/s ports, Intel Matrix Storage (for Windows only) (Supports software RAID 0, 1, 10 & 5)		
	SAS controller	LSI 1068E SAS/SATA controller and supports firmware RAID 0, 1 (ASMB0-310IR SKU only)		
Networking	GbE LAN	1 x Intel 82574L + 1 x Intel 82567LM + dedicated LAN port for remote management function (management LAN is available in ASMB-310IR SKU only)		
Onboard I/O Connectors	Floppy connector	-		
	PSU connector	24-pin SSI power connector + 8-pin SSI 12 V + 8-pin SSI 12 V power connector		
	USB connector	3 (supports 5 USB port)		
	Fan header	5 x 4pin		
	SMBus	-		
	Chassis intruder	1		
	Front LAN LED	2		
	Serial port header	1		
Rear I/O Connectors	External serial port	1		
	External USB port	6		
	VGA port	1		
	RJ-45	2		
	PS/2 KB/mouse	1		
	Infiniband	-		
Management Solution	Software	-		
	Out of band remote management	Yes (ASMB-310IR SKU only)		
Monitoring	CPU temperature	Yes		
	System Monitoring	Yes		
Watchdog Timer	Output	System reset		
	Interval	Programmable 1 ~ 255 sec/min		
Power Requirement	Power On	12V	5V	3.3V
		66.47A	29.32A	20.48A
Environment	Temperature	Operating	Non-operating	
		0 ~ 50° C	-40 ~ 85° C	
	Humidity	0% ~ 90%	5% ~ 95% (Non condensing)	
Physical Characteristics	Dimensions	304.8 x 257.05 mm (12" x 10.12")		

### Block Diagram



### Ordering Information

Part Number	HDD	Expansion Slot	IPMI
ASMB-310-00A1E	6 SATA	4 x PCIe x8 (or 2 x PCIe x16), 2 x PCIe x4	-
ASMB-310IR-00A1E	6 SATA + 8 SAS/ SATA	4 x PCIe x8 (or 2 x PCIe x16), 1 x PCIe x4	Yes

### Packing List

Part Number	Description	Quantity
1700003194	SATA data cables	x 2
1960048321T000	I/O shield	x 1
2066310R00	Driver CD	x 1
2006310R10	Startup manual	x 1
1960048304N001	CPU Coolers (For 2U/4U system)	x 2
1703150102	SATA power cable	x 2

### Bracket View



ASMB-310-00A1E



ASMB-310IR-00A1E