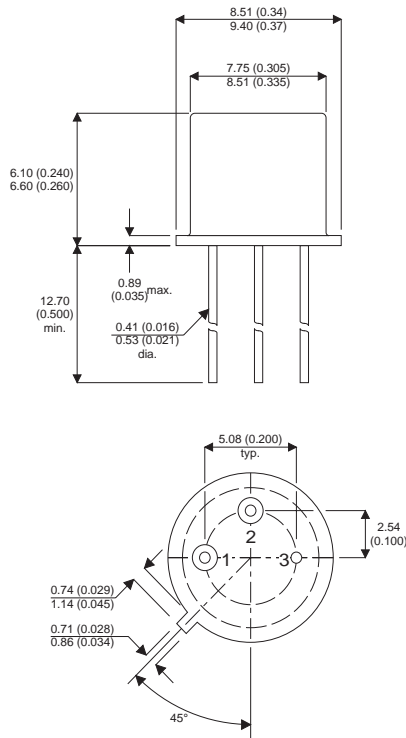


**MECHANICAL DATA**

Dimensions in mm (inches)



**TO39 METAL PACKAGE (TO-205AD)**

**Underside View**

PIN 1 – Emitter    PIN 2 – Base    PIN 3 – Collector

**HIGH SPEED  
MEDIUM POWER  
PNP SWITCHING TRANSISTOR**

**FEATURES**

- SILICON PLANAR EPITAXIAL PNP TRANSISTOR
- HIGH SPEED SATURATED SWITCHING
- ALSO AVAILABLE IN CERAMIC SURFACE MOUNT PACKAGE

**ABSOLUTE MAXIMUM RATINGS** ( $T_A = 25^\circ\text{C}$  unless otherwise stated)

$V_{CBO}$	Collector - Base Voltage	- 60V
$V_{CEO}$	Collector - Emitter Voltage	- 60V
$V_{EBO}$	Emitter - Base Voltage	- 5V
$I_C$	Collector Current Continuous	- 600mA
$P_D$	Total Device Dissipation @ $T_A = 25^\circ\text{C}$	600mW
	Derate above $25^\circ\text{C}$	3.43mW / $^\circ\text{C}$
$P_D$	Total Device Dissipation @ $T_C = 25^\circ\text{C}$	3W
	Derate above $25^\circ\text{C}$	17.2mW / $^\circ\text{C}$
$T_J, T_{STG}$	Operating and Storage Junction Temperature Range	-65 to +200 $^\circ\text{C}$

**THERMAL CHARACTERISTICS**

$R_{\theta JA}$	Thermal Resistance, Junction to Ambient	292 $^\circ\text{C}/\text{W}$
$R_{\theta JC}$	Thermal Resistance, Junction to Case	58 $^\circ\text{C}/\text{w}$

Semelab Plc reserves the right to change test conditions, parameter limits and package dimensions without notice. Information furnished by Semelab is believed to be both accurate and reliable at the time of going to press. However Semelab assumes no responsibility for any errors or omissions discovered in its use. Semelab encourages customers to verify that datasheets are current before placing orders.

**ELECTRICAL CHARACTERISTICS** ( $T_A = 25^\circ\text{C}$  unless otherwise stated)

Parameter	Test Conditions	Min.	Typ.	Max.	Unit
<b>OFF CHARACTERISTICS</b>					
$V_{(BR)CEO}^1$	Collector – Emitter Breakdown Voltage	$I_C = -10\text{mA}$ $I_B = 0$	-60		V
$V_{(BR)CBO}$	Collector – Base Breakdown Voltage	$I_C = -10\mu\text{A}$ $I_E = 0$	-60		V
$V_{(BR)EBO}$	Emitter – Base Breakdown Voltage	$I_E = -10\mu\text{A}$ $I_C = 0$	-5		V
$I_{CEX}$	Collector Cut-off Current	$V_{CE} = -30\text{V}$ $V_{BE} = -0.5\text{V}$		-1	$\mu\text{A}$
$I_{CBO}$	Collector Cut-off Current	$I_E = 0$ $V_{CB} = -50\text{V}$ $T_A = 150^\circ\text{C}$		-0.01 -10	$\mu\text{A}$
$I_B$	Base Current	$V_{CE} = -30\text{V}$ $V_{BE} = -0.5\text{V}$		-50	nA
<b>ON CHARACTERISTICS</b>					
$V_{CE(sat)}^1$	Collector – Emitter Saturation Voltage	$I_C = -150\text{mA}$ $I_B = -15\text{mA}$ $I_C = -500\text{mA}$ $I_B = -50\text{mA}$		-0.4 -1.6	V
$V_{BE(sat)}$	Base – Emitter Saturation Voltage	$I_C = -150\text{mA}$ $I_B = -15\text{mA}$ $I_C = -500\text{mA}$ $I_C = -50\text{mA}$		-1.3 -2.6	V
$h_{FE}$	DC Current Gain	$I_C = -0.1\text{mA}$ $V_{CE} = -10\text{V}$ $I_C = -1\text{mA}$ $V_{CE} = -10\text{V}$ $I_C = -10\text{mA}$ $V_{CE} = -10\text{V}$ $I_C = -150\text{mA}$ $V_{CE} = -10\text{V}^1$ $I_C = -500\text{mA}$ $V_{CE} = -10\text{V}^1$	75 100 100 100 50		—   300
<b>SMALL SIGNAL CHARACTERISTICS</b>					
$f_T$	Transition Frequency <sup>2</sup>	$I_C = -50\text{mA}$ $V_{CE} = -20\text{V}$ $f = 100\text{MHz}$	200		MHz
$C_{CB}$	Output Capacitance	$V_{CB} = -10\text{V}$ $I_E = 0$ $f = 1.0\text{MHz}$		8	pF
$C_{EB}$	Input Capacitance	$V_{BE} = -2\text{V}$ $I_C = 0$ $f = 1.0\text{MHz}$		30	pF
<b>SWITCHING CHARACTERISTICS</b>					
$t_{on}$	Turn-On Time	$V_{CC} = -30\text{V}$		26	45
$t_d$	Delay Time	$I_C = -150\text{mA}$		6	10
$t_r$	Rise Time	$I_{B1} = -15\text{mA}$		20	40
$t_{off}$	Turn-Off Time	$V_{CC} = -6\text{V}$		70	300
$t_s$	Storage Time	$I_C = -150\text{mA}$		50	80
$t_f$	Fall Time	$I_{B1} = I_{B2} = -15\text{mA}$		20	30

**NOTES:**

- 1) Pulse test:  $t_p \leq 300\mu\text{s}$ ,  $\delta \leq 2\%$
- 2)  $f_T$  is defined as the frequency at which  $h_{FE}$  extrapolates to unity.

Semelab Plc reserves the right to change test conditions, parameter limits and package dimensions without notice. Information furnished by Semelab is believed to be both accurate and reliable at the time of going to press. However Semelab assumes no responsibility for any errors or omissions discovered in its use. Semelab encourages customers to verify that datasheets are current before placing orders.