

PLEASE CHECK WWW.MOLEX.COM FOR LATEST PART INFORMATION

Part Number: [0945180101](#)
Status: **Active**
Description: High Normal Force (HNF) Female Terminal, For 6.3 x 0.8mm (.248x.031") Tabs, Tin Plated Brass, AWG 18-20

Documents:

[Drawing \(PDF\)](#) [RoHS Certificate of Compliance \(PDF\)](#)
[Product Specification PS-94518-006 \(PDF\)](#)

General

Product Family	Crimp Terminals
Series	94518
Crimp Quality Equipment	Yes
Product Name	High Normal Force (HNF) Termin

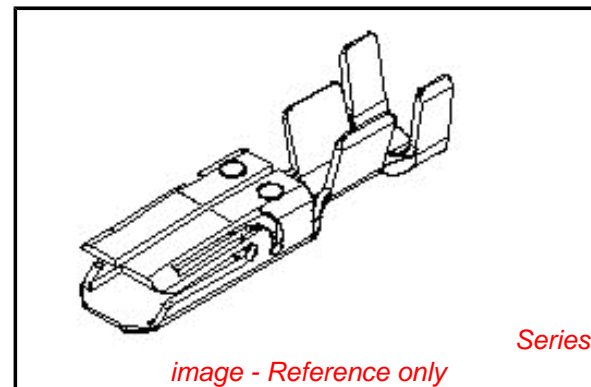
Physical

Gender	Female
Material - Metal	Brass
Material - Plating Mating	Tin
Material - Plating Termination	Tin
Packaging Type	Reel
Plating min: Mating (µin)	100
Plating min: Mating (µm)	2.5
Plating min: Termination (µin)	100
Plating min: Termination (µm)	2.5
Wire Insulation Diameter	2.20-2.80mm (.087-.110")
Wire Size AWG	18, 20
Wire Size mm ²	0.5 TO 1.00

Material Info

Reference - Drawing Numbers

Product Specification	PS-94518-006
Sales Drawing	SD-94518-005



EU RoHS

**ELV and RoHS
Compliant**
REACH SVHC
 Not Reviewed
**Halogen-Free
Status**

China RoHS



**Need more information on product
environmental compliance?**

Email productcompliance@molex.com
 For a multiple part number RoHS Certificate of Compliance, [click here](#)

Please visit the [Contact Us](#) section for any non-product compliance questions.

Search Parts in this Series

[94518Series](#)

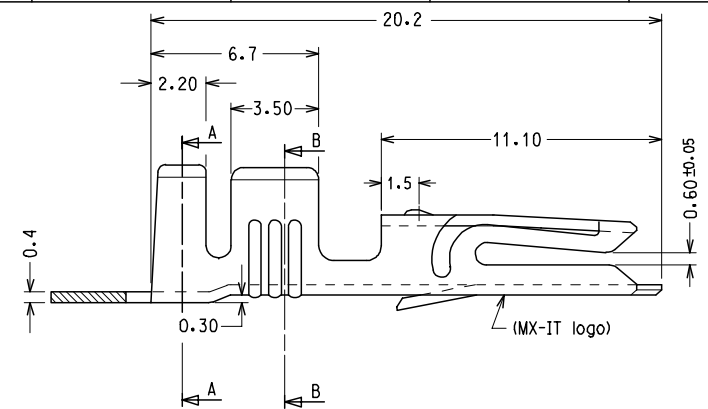
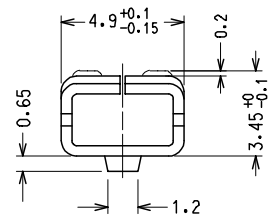
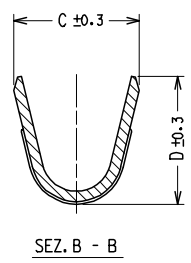
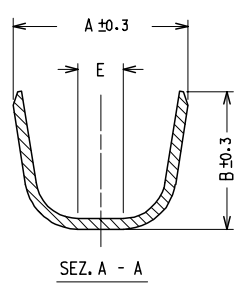
Application Tooling | [FAQ](#)

Tooling specifications and manuals are found by selecting the products below. Crimp Height Specifications are then contained in the Application Tooling Specification document.

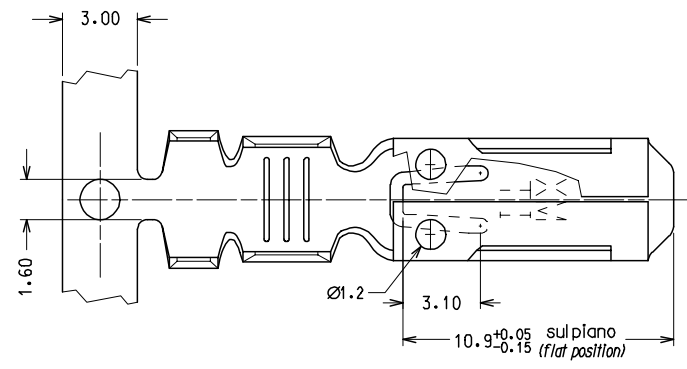
Global

Description	Product #
Fine Adjust Applicator for RAST5 Normal Force Female Crimp Terminal	0639019700
Extraction Tool	0638132700

10 9 8 7 6 5 4 3 2 1



CODICE P/N	FINITURA PLATING	MATERIALE MATERIAL	SEZ. RAME WIRE RANGE	Ø ISOLANTE INS. RANGE	DIMENSIONI					PZ./BOBINA PCS/REEL
					A	B	C	D	E	
94518 - 0100	GREGGIO/ PLAIN	OTTONE BRASS	0.5 - 1.0	2.2 - 2.8	4.5	4.5	3.0	3.0	/	3000
94518 - 0101	STAGNATO/ TIN									
94518 - 0120	GREGGIO/ PLAIN	BRONZO FOSF. PHOSP.BRONZE	1.0 - 2.5	2.6 - 3.8	5.5	5.5	4.1	4.3	/	2500
94518 - 0121	STAGNATO/ TIN									
94518 - 0200	GREGGIO/ PLAIN	OTTONE BRASS	1.0 - 2.5	2.6 - 3.8	5.5	5.5	4.1	4.3	/	2500
94518 - 0201	STAGNATO/ TIN									
94518 - 0220	GREGGIO/ PLAIN	BRONZO FOSF. PHOSP.BRONZE	1.5 - 3.0	PER CAVI SINGOLI E DOPPI (VEDERE FOGLIO 2/2)	7.3	5.1	5.2	4.0	1.8	2500
94518 - 0221	STAGNATO/ TIN									
94518 - 0400	GREGGIO/ PLAIN	OTTONE BRASS	1.5 - 3.0	PER CAVI DOPPI (VEDERE FOGLIO 2/2)	7.3	5.1	5.2	4.0	1.8	2500
94518 - 0401	STAGNATO/ TIN									
94518 - 0300	GREGGIO/ PLAIN	OTTONE BRASS	4.0	3.4 - 3.7	5.5	5.5	5.0	5.1	/	2500
94518 - 0301	STAGNATO/ TIN									

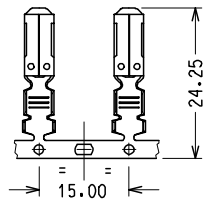
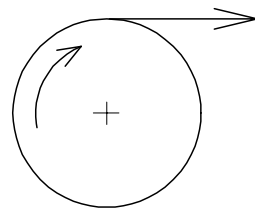


CONFEZIONE:
N° 5 bobine con carta intermedia per box.

PACKING:
N° 5 reels with Interleaf paper/box

Std. Descr.: HNF TERM (material-plating-wire range)

SENSO DI SVOLGIMENTO PER MINIAPPLICATORE
DIRECTION OFF REEL



EC NO: Z2005-0129	2005/03/31	2005/03/31	2005/04/01
DRAWN:FGOTTARD	CHKD:RSANDANO	APP:GZUIN	DESCRIPTION

QUALITY SYMBOLS	▽=0	▽=0
-----------------	-----	-----

GENERAL TOLERANCES (UNLESS SPECIFIED)		
	mm	INCH
4 PLACES	± ---	± ---
3 PLACES	± ---	± ---
2 PLACES	± 0.10	± ---
1 PLACE	± 0.2	± ---
ANGULAR ± 2 °		
DRAFT WHERE APPLICABLE MUST REMAIN WITHIN DIMENSIONS		

DIMENSION STYLE		SCALE	DESIGN UNITS	FIRST ANGLE PROJECTION
MM ONLY		5:1	METRIC	⊙ □
DRAWN BY	DATE	TITLE		
FGOTTARD	1992/10/01	HNF FEMALE TERMINAL FOR 6.3 X 0.8 TABS		
CHECKED BY	DATE	MOLEX INCORPORATED		
APPROVED BY	DATE	DOCUMENT NO.		
MPREVIAT	1992/10/01	SD-94518-005		
MATERIAL NO.	DOCUMENT NO.	SHEET NO.		
		1 OF 1		

DRAWN BY		DATE	TITLE	
FGOTTARD		1992/10/01	HNF FEMALE TERMINAL FOR 6.3 X 0.8 TABS	
CHECKED BY		DATE	MOLEX INCORPORATED	
APPROVED BY		DATE	DOCUMENT NO.	
MPREVIAT		1992/10/01	SD-94518-005	
MATERIAL NO.		DOCUMENT NO.	SHEET NO.	
			1 OF 1	

9 8 7 6 5 4 3 2 1