

**PLEASE CHECK WWW.MOLEX.COM FOR LATEST PART INFORMATION**

**Part Number:** [0351810214](#)  
**Status:** **Active**  
**Description:** 1.78mm (.070") Tab Multiple Wire-to-Wire Female Housing, 2 Circuits, Vertical, B-Type

**Documents:**

[Drawing \(PDF\)](#) [RoHS Certificate of Compliance \(PDF\)](#)  
[Product Specification PS-35182-003 \(PDF\)](#)

**Agency Certification**

CSA LR19980  
 UL E29179

**General**

Product Family Crimp Housings  
 Series [35181](#)  
 Product Name N/A

**Physical**

Circuits (maximum) 2  
 Color - Resin Blue  
 Flammability 94V-0  
 Gender Female  
 Glow-Wire Compliant No  
 Material - Resin Polyester  
 Number of Rows 2  
 Packaging Type Bag  
 Panel Mount No  
 Pitch - Mating Interface (in) 0.315 In  
 Pitch - Mating Interface (mm) 8.00 mm  
 Stackable No  
 Temperature Range - Operating -40°C to +120°C

**Material Info**

**Reference - Drawing Numbers**

Product Specification PS-35182-003  
 Sales Drawing SD-35181-021\*

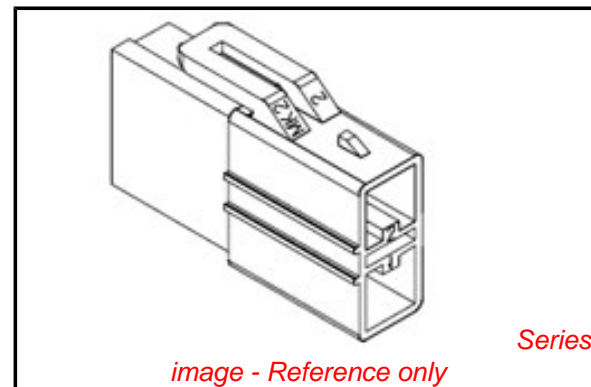


image - Reference only

**EU RoHS**

**ELV and RoHS  
 Compliant**  
**REACH SVHC**  
 Not Reviewed  
**Halogen-Free  
 Status**  
**Not Reviewed**

**China RoHS**



**Need more information on product  
 environmental compliance?**

Email [productcompliance@molex.com](mailto:productcompliance@molex.com)  
 For a multiple part number RoHS Certificate of  
 Compliance, [click here](#)

Please visit the [Contact Us](#) section for any  
 non-product compliance questions.

**Search Parts in this Series**

[35181Series](#)

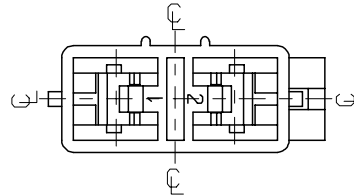
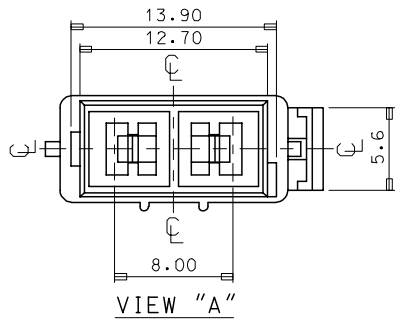
**Mates With**

[35180](#) Wire-to-Wire Male Housing

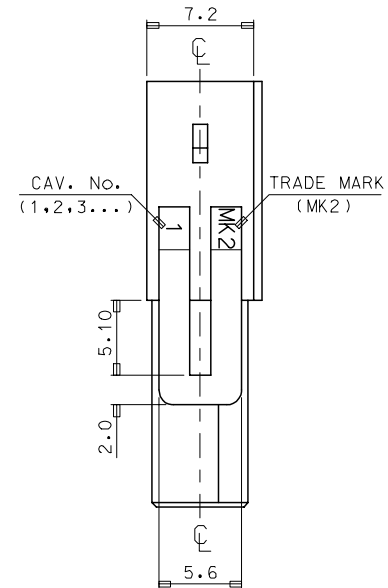
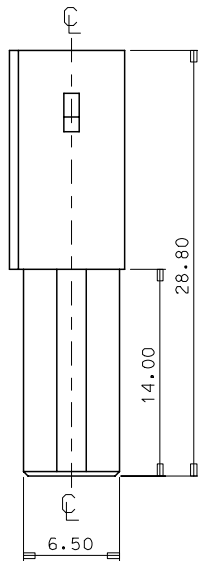
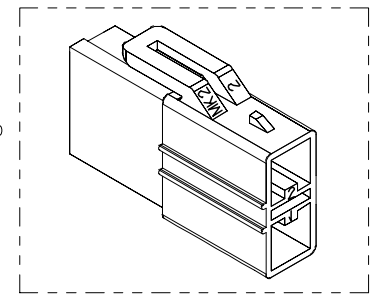
**Use With**

[35745](#) VersaBlade™ Crimp Terminal, [35182](#)  
 Versablade™ Wire-to-Wire Male Housing  
 TPA™

**PLEASE CHECK WWW.MOLEX.COM FOR LATEST PART INFORMATION**



- NOTES
1. MATERIAL & COLOR : SEE TABLE
  2. MATCHED HOUSING : 35180-040\*  
35180-060\*
  3. APPLICABLE TERMINAL : 35745-0\*10
  4. APPLICABLE T.P.A : 35182-019\*



NO	PRODUCT		MATERIAL	
	PART NO	MATERIAL NO	COLOR	DESCRIPTION
1	35181-0210	351810210	NATURAL	PBT
2	35181-0214	351810214	BLUE	(UL94V-0)
3	35181-0219	351810219	NATURAL	PBT/PC(UL94V-0)

REVISED  
 EC NO: KOR2008-0048  
 DRWN: JHPARK01 2007/09/10  
 CHKD: W. YANG 2007/09/10  
 APPR: YUNSIKKIM 2007/09/10

QUALITY SYMBOLS  
 = 0  
 = 0

GENERAL TOLERANCES (UNLESS SPECIFIED)

	mm	INCH
4 PLACES	± ---	± ---
3 PLACES	± ---	± ---
2 PLACES	± ---	± ---
1 PLACE	± 0.3	± ---
ANGULAR ± 1 °		

DRAFT WHERE APPLICABLE  
 MUST REMAIN WITHIN DIMENSIONS

DIMENSION STYLE  
 MM ONLY

DRAWN BY  
 JS. KANG

CHECKED BY

APPROVED BY

MATERIAL NO.

SIZE  
 A3

SCALE  
 3:1

DESIGN UNITS  
 METRIC

THIRD ANGLE PROJECTION

.070 MULTI W/W CONN  
 FEMALE HSG-2P(B)

MOLEX INCORPORATED

DOCUMENT NO.  
 SD-35181-021\*

SHEET NO.  
 1 OF 01

THIS DRAWING CONTAINS INFORMATION THAT IS PROPRIETARY TO MOLEX INCORPORATED AND SHOULD NOT BE USED WITHOUT WRITTEN PERMISSION