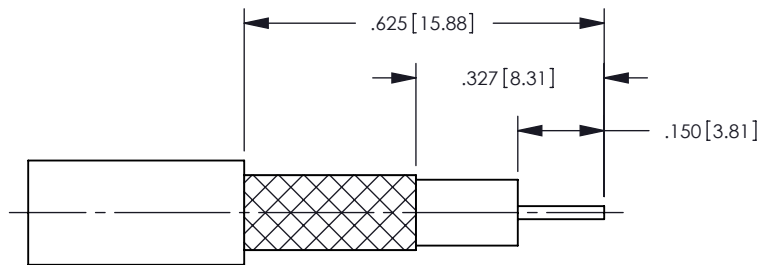
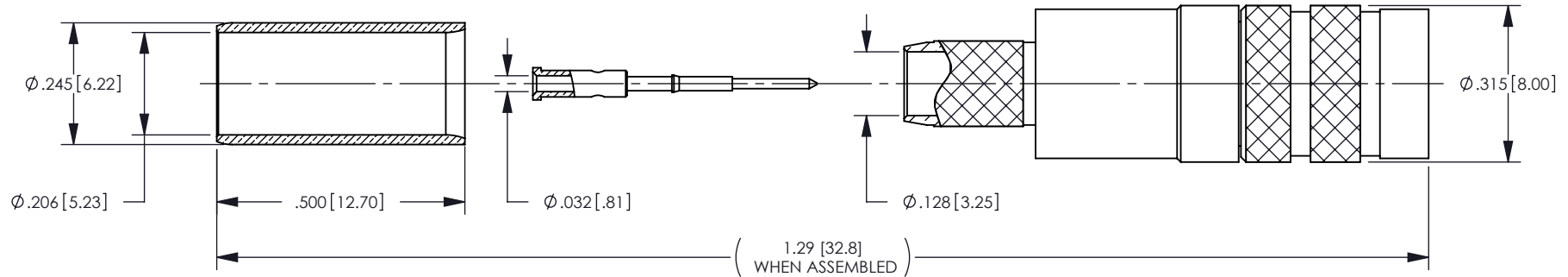


NOTES: UNLESS OTHERWISE SPECIFIED

1. DESIGNED FOR USE WITH ARGOSY IMAGE 360 & BELDEN 1855ENH CABLE OR EQUIVALENT.
2. MATERIAL SPECIFICATIONS:
 BODY & CENTER CONTACT: BRASS PER ASTM B16.
 OUTER CONTACT & FERRULE: COPPER ALLOY.
 INSULATOR: TEFLON PER ASTM D1710.
3. FINISH SPECIFICATIONS:
 BODY & FERRULE: .000100 MIN NICKEL PER AMS-QQ-N-290 OVER COPPER FLASH PER ASTM B734 (RoHS).
 CONTACT: .000030 MIN GOLD PER ASTM B488 OVER .000080 MIN NICKEL PER AMS-QQ-N-290 (RoHS).
4. ELECTRICAL SPECIFICATIONS:
 IMPEDANCE: 75 OHMS.
 FREQUENCY RANGE: DC-6.0 GHz.
 RETURN LOSS: <-20dB UP TO 3.0 GHz, <-15dB UP TO 6.0 GHz.
5. COMPLIANT TO SMPTE 424M (3G-SDI) STANDARD.
6. CONTACT AND FERRULE SHIPPED LOOSE.
7. INTERFACE PER CECC 22230.
8. CRIMP FERRULE (.213 HEX) AND CONTACT (.042 HEX) USE KINGS KTH-2113.
9. CAP-E03.

REV	DESCRIPTION	BY DATE	APPD
G	REVISED PER ECR-ER36094	11/08/11 CV	LL

P/N	DESCRIPTION	QTY
0345-E00-V3601N	SINGLE PACK	1
0345-E00-V3601NU	BULK PACK	400



RECOMMENDED CABLE TRIM DIMENSIONS

CATALOG P/N: 0345-E00-V3601N

PER ASME Y14.5M-1994 UNLESS OTHERWISE SPECIFIED: DIMENSIONS ARE IN INCHES [MM] TOLERANCES: DECIMAL: .XX [X.X] ± .01 [0.3] .XXX [X.XX] ± .005 [0.13] .XXXX [X.XXX] ± .XXXX ANGLES: ± 2° SCALE: 2:1		by WINCHESTER Winchester Electronics Corporation 62 Barnes Industrial Road North Wallingford, Connecticut 06492	
CUSTOMER SALES DRAWING		THIRD ANGLE	
DRAWN DW	DATE 06/16/09	APPROVED Dcam	DATE 09/16/09
APPROVED WPM	DATE 09/16/09	APPROVED XXX	DATE XX/XX/XX
A SD0345-E00-V3601N		SHT 1	OF 1
		REV G	