

TOSHIBA FIELD EFFECT TRANSISTOR SILICON N CHANNEL DUAL GATE MOS TYPE

3SK257

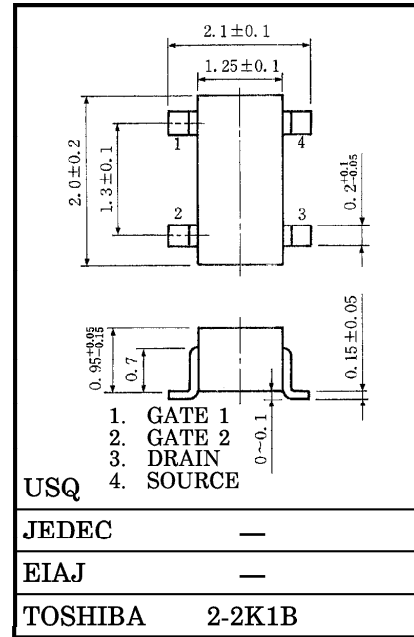
TV TUNER, VHF RF AMPLIFIER APPLICATIONS.
 FM TUNER APPLICATIONS.
 TV TUNER, UHF RF AMPLIFIER APPLICATIONS.

Unit in mm

- Superior Cross Modulation Performance.
- Low Noise Figure : NF=2.0dB (Typ.)

MAXIMUM RATINGS (Ta = 25°C)

CHARACTERISTIC	SYMBOL	RATING	UNIT
Drain-Source Voltage	V _{DS}	13.5	V
Gate 1-Source Voltage	V _{G1S}	±8	V
Gate 2-Source Voltage	V _{G2S}	±8	V
Drain Current	I _D	30	mA
Drain Power Dissipation	P _D	100	mW
Chanel Temperature	T _{ch}	125	°C
Storage Temperature Range	T _{stg}	-55~125	°C

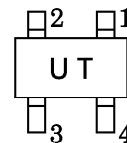


Weight : 0.006g

ELECTRICAL CHARACTERISTICS (Ta = 25°C)

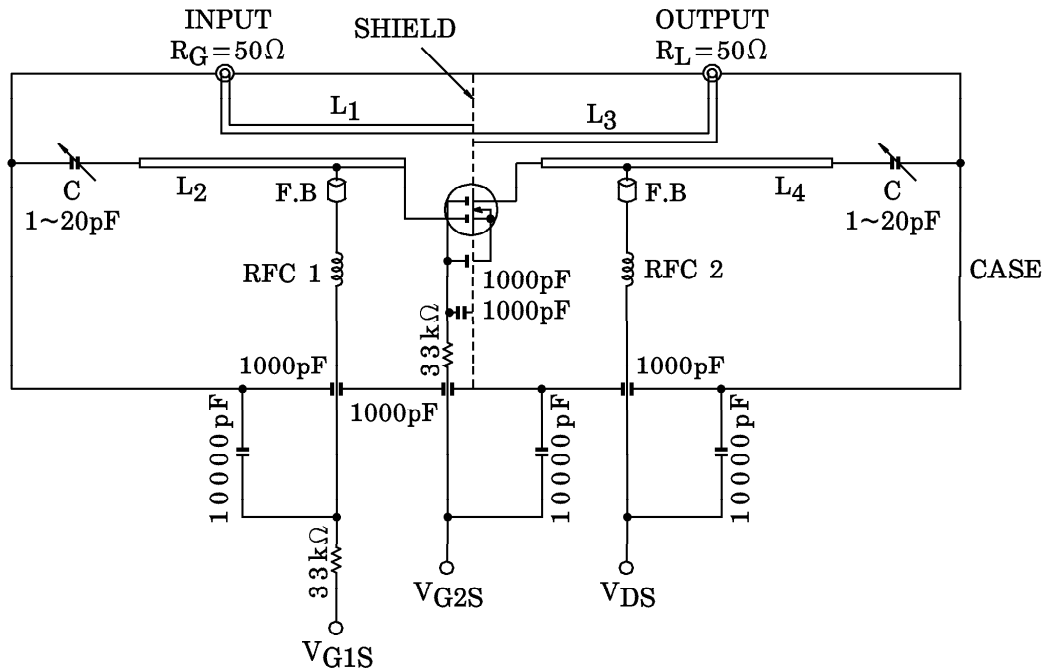
CHARACTERISTIC	SYMBOL	TEST CONDITION	MIN.	TYP.	MAX.	UNIT
Gate 1 Leakage Current	I _{G1SS}	V _{DS} =0, V _{G1S} =±6V, V _{G2S} =0	—	—	±50	nA
Gate 2 Leakage Current	I _{G2SS}	V _{DS} =0, V _{G1S} =0, V _{G2S} =±6V	—	—	±50	nA
Drain-Source Voltage	V (BR) DSX	V _{G1S} =-1V, V _{G2S} =-1V I _D =100μA	13.5	—	—	V
Drain Current	I _{DSS}	V _{DS} =6V, V _{G1S} =0, V _{G2S} =4.5V	0	—	0.1	mA
Gate 1-Source Cut-off Voltage	V _{G1S} (OFF)	V _{DS} =6V, V _{G2S} =4.5V, I _D =100μA	0	—	1.0	V
Gate 2-Source Cut-off Voltage	V _{G2S} (OFF)	V _{DS} =6V, V _{G1S} =4V, I _D =100μA	0.5	1.0	1.5	V
Forward Transfer Admittance	Y _{fs}	V _{DS} =6V, V _{G2S} =4.5V I _D =10mA, f=1kHz	—	21	—	mS
Input Capacitance	C _{iss}	V _{DS} =6V, V _{G2S} =4.5V	—	3.4	4.4	pF
Reverse Transfer Capacitance	C _{rss}	I _D =10mA, f=1MHz	—	0.020	0.05	pF
Power Gain	G _{ps}	V _{DS} =6V, V _{G2S} =4.5V	19	22	—	dB
Noise Figure	NF	I _D =10mA, f=500MHz (Fig.1)	—	2.0	3.5	dB

Marking



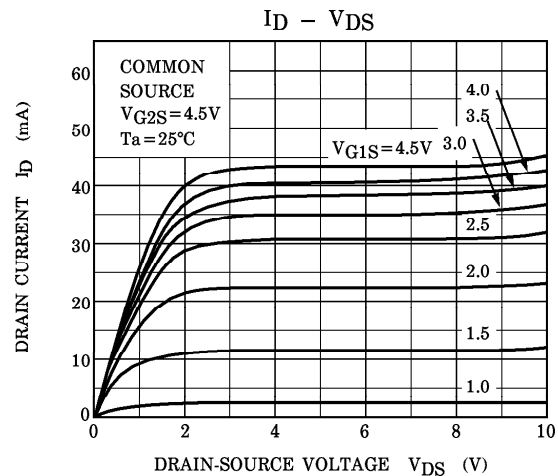
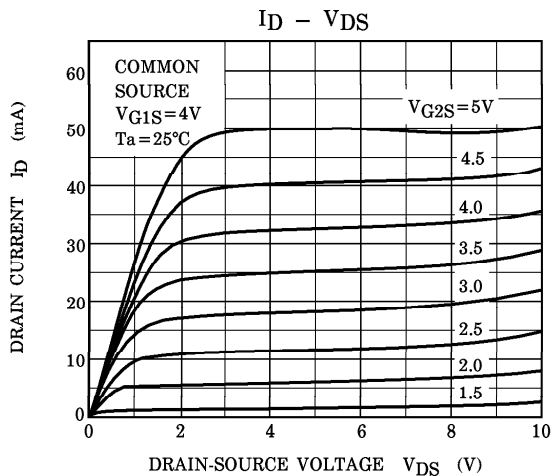
961001EAA2

● TOSHIBA is continually working to improve the quality and the reliability of its products. Nevertheless, semiconductor devices in general can malfunction or fail due to their inherent electrical sensitivity and vulnerability to physical stress. It is the responsibility of the buyer, when utilizing TOSHIBA products, to observe standards of safety, and to avoid situations in which a malfunction or failure of a TOSHIBA product could cause loss of human life, bodily injury or damage to property. In developing your designs, please ensure that TOSHIBA products are used within specified operating ranges as set forth in the most recent products specifications. Also, please keep in mind the precautions and conditions set forth in the TOSHIBA Semiconductor Reliability Handbook.



- L1~L4 : ϕ 0.8mm SILVER PLATED COPPER WIRE
- C : AIR TRIMMER TTA25A200A (MURATA MFG. Co., Ltd.)
- RFC 1 : ϕ 0.35mm COPPER WIRE 3mm ID, 7T
- RFC 2 : ϕ 0.35mm COPPER WIRE 3mm ID, 10T

Fig.1 500MHz, G_{ps} , NF TEST CIRCUIT



961001EAA2'

● The information contained herein is presented only as a guide for the applications of our products. No responsibility is assumed by TOSHIBA CORPORATION for any infringements of intellectual property or other rights of the third parties which may result from its use. No license is granted by implication or otherwise under any intellectual property or other rights of TOSHIBA CORPORATION or others.
 ● The information contained herein is subject to change without notice.

