

# Customer Information Sheet

DRAWING No.: D830XXB-XX

SHEET 2 OF 2

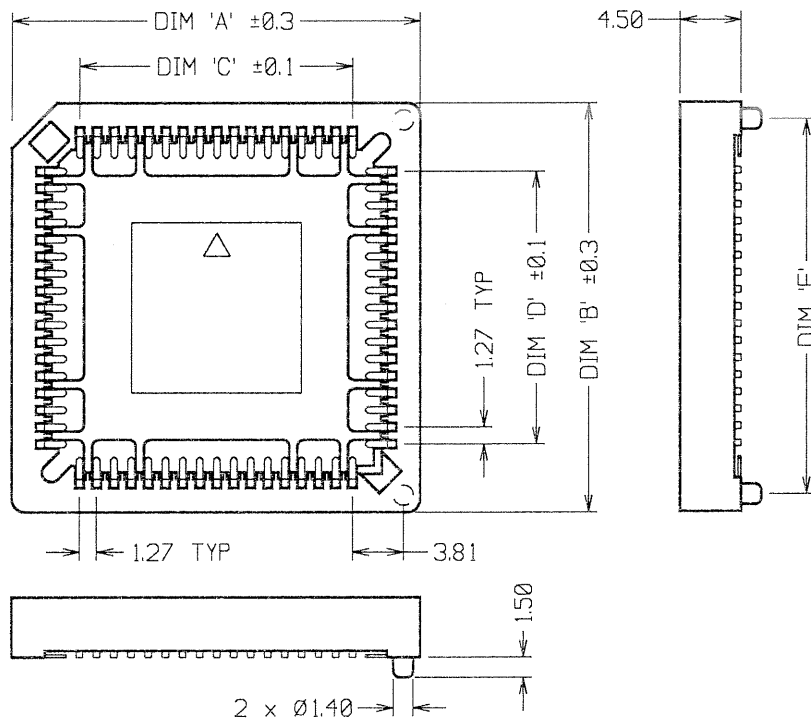
IF IN DOUBT - ASK

©

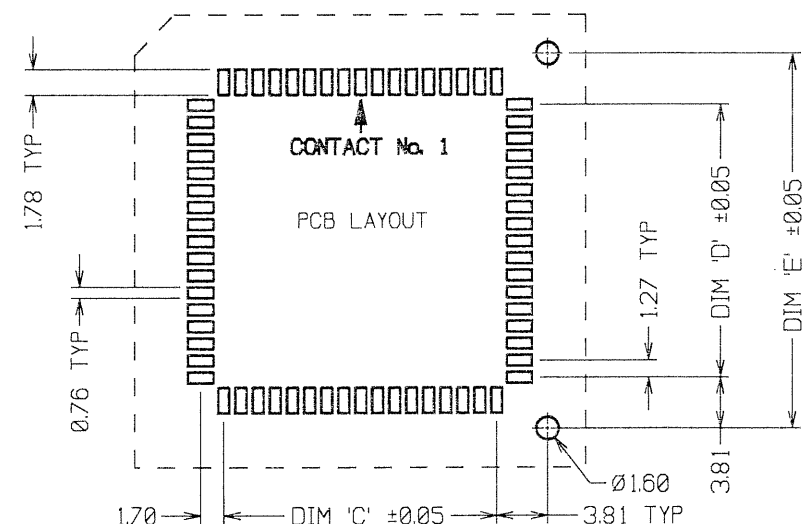
NOT TO SCALE

THIRD ANGLE PROJECTION

ALL DIMENSIONS IN mm



| No. OF CONTACTS | DIM 'A' | DIM 'B' | DIM 'C' | DIM 'D' | DIM 'E' |
|-----------------|---------|---------|---------|---------|---------|
| 20              | 15.66   | 15.66   | 5.08    | 5.08    | 12.70   |
| 28              | 18.20   | 18.20   | 7.62    | 7.62    | 15.24   |
| 32              | 18.20   | 20.74   | 7.62    | 10.16   | 17.78   |
| 44              | 23.28   | 23.28   | 12.70   | 12.70   | 20.32   |
| 52              | 25.82   | 25.82   | 15.24   | 15.24   | 22.86   |
| 68              | 30.90   | 30.90   | 20.32   | 20.32   | 27.94   |
| 84              | 35.98   | 35.98   | 25.40   | 25.40   | 33.02   |



**SPECIFICATION:**

**MATERIAL:**  
 MOULDING = PPS (BROWN) UL94V-0  
 CONTACTS = PHOSPHOR BRONZE

**FINISH:**  
 46 = 100% TIN

**ELECTRICAL:**  
 CURRENT RATING = 1A  
 WITHSTANDING VOLTAGE = 600V AC (1 MINUTE)  
 CONTACT RESISTANCE = 30 MILLIOHMS MAX  
 INSULATION RESISTANCE = 1000 MEGOHMS MIN

**ENVIRONMENTAL:**  
 OPERATING TEMPERATURE = -50°C TO +105°C

**PACKING:** TUBE

**NOTES:**

- FOR ELECTRICAL AND MECHANICAL SPEC. SEE COMPONENT SPECIFICATION C020 (LATEST ISSUE).
- ALL TOLERANCES ARE ±0.20 UNLESS OTHERWISE STATED.

**ORDER CODE:**

**D830XXB-XX**

No. OF CONTACTS —  
 (SEE TABLE)  
 FINISH —  
 46 = 100% TIN

|                      |      |          |        |
|----------------------|------|----------|--------|
| JMB                  | 10   | 17.10.06 | 9520   |
| NAME                 | ISS. | DATE     | C/NOTE |
| APPROVED: <i>JMB</i> |      |          |        |
| CHECKED: <i>NSBC</i> |      |          |        |
| DRAWN: W. J. BOURNE  |      |          |        |
| CUSTOMER REF.:       |      |          |        |
| ASSEMBLY DRG.:       |      |          |        |

**HARWIN**

|  |  |  |
|--|--|--|
| HARWIN USA<br>TEL: 603 893 5376<br>FAX: 603 893 5396<br>mis@harwin.com | HARWIN Europe (UK)<br>TEL: 023 9231 4545<br>FAX: 023 9231 4590<br>mis@harwin.co.uk | HARWIN Asia<br>TEL: +65 6 779 4909<br>FAX: +65 6 779 3868<br>mis@harwin.com.sg |
|--|--|--|

THIS DRAWING AND ANY INFORMATION OR DESCRIPTIVE MATTER SET OUT HEREON ARE CONFIDENTIAL AND COPYRIGHT PROPERTY OF THE HARWIN GROUP AND MUST NOT BE DISCLOSED, LOANED, COPIED OR USED FOR MANUFACTURING, TENDERING OR FOR ANY OTHER PURPOSE WITHOUT THEIR WRITTEN PERMISSION.

**TOLERANCES**  
 X. = ±1mm  
 X.X = ±0.25mm  
 X.XX = ±0.10mm  
 X.XXX = ±0.01mm  
 ANGLES = ±5°  
 UNLESS STATED

**MATERIAL:** SEE ABOVE  
**FINISH:** SEE ABOVE  
**S/AREA:** mm<sup>2</sup>

**TITLE:** LOW PROFILE SMT PLCC SOCKET (WITH LOCATION PEGS)  
**DRAWING NUMBER:** D830XXB-XX

SHT 2 OF 2