

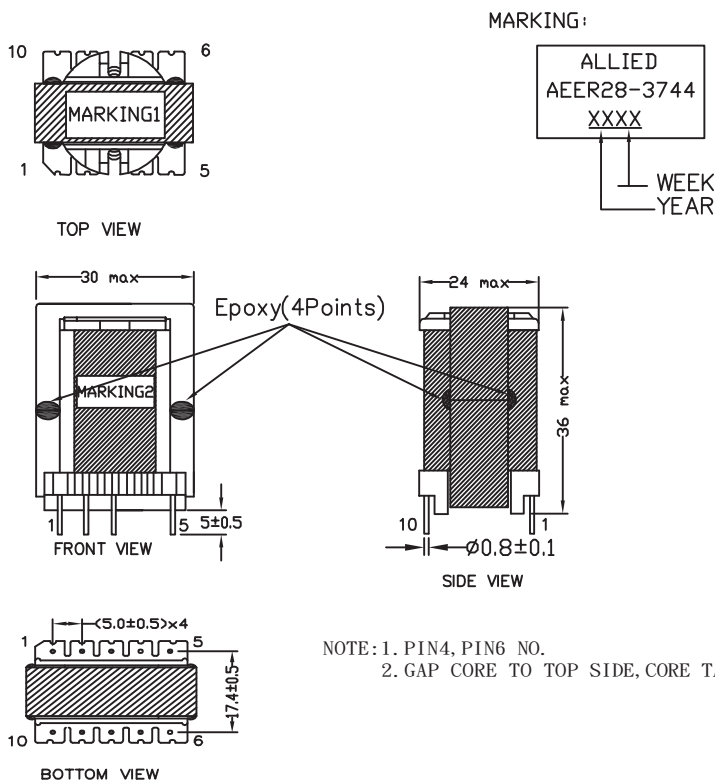


Primary Electrical Specifications @ 25°C					
S - F	INDUCTANCE F=100KHZ,0.1VRMS, 25°C	LEAKAGE INDUCTANCE F=100KHZ, 0.1VRMS,25°C (SHORT SEC PINS)	DCR (MAX)	TURN RATIO	
3 - 5	3.9 mH+10%	50 uH max	1.7 Ohm	99Ts	
1 - 2	-	-	200 mOhm	8Ts	
Secondary Electrical Specifications @ 25°C					
S - F	INDUCTANCE F=100KHZ, 0.1VRMS	LEAKAGE INDUCTANCE F= KHZ, VRMS SHORT	DCR (MAX)	TURN RATIO	
8 - 7	-	-	90 mOhm	16Ts	
Hi - Pot / Insulation Resistance					
LOCAT. \ DESC.	PRI-PRI	PRI-SEC	SEC-SEC	PRI-CORE	SEC-CORE
HI-POT (50HZ/60HZ)	-	4000VAC 5mA,1sec	-	1500VAC 5mA,1sec	1500VAC 5mA,1sec
INSULATION RESISTANCE	-	500VDC 100 MOhm min	-	500VDC 100 MOhm min	500VDC 100 MOhm min

All specifications subject to change without notice.

MECHANICAL

DIMENSION: (UNIT: mm)



SCHEMATICS

