

6

5

4

3

2

1

**MATERIAL AND FINISH:**

Insulator: Polycarbonate, UL-94V-0 rated  
Contacts: Brass, Nickel plated

**ELECTRICAL SPECIFICATIONS:**

Current rating: 10 A  
Voltage rating: 250 VAC  
Insulation resistance: 100 Mohm min. at 500 VDC  
Dielectric withstanding voltage: 2000 VAC for one minute



**ORDERING CODE:**

42R32-1  
1 2 3

**1) COLOR**

- 1 = BLACK
- 2 = GRAY

**2) TERMINAL OPTIONS**

- 1 = .187(4.8)
- 2 = .250(6.3)

**3) ELECTRICAL CIRCUIT CONFIGURATION**

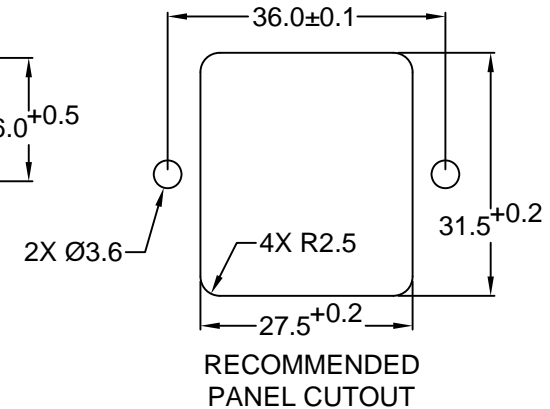
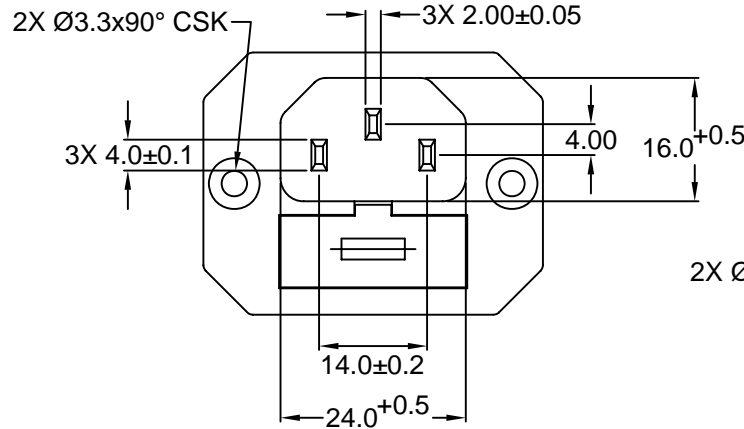
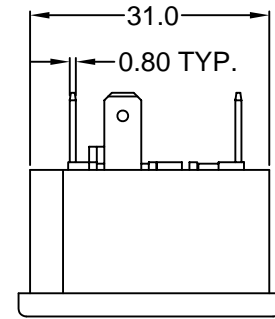
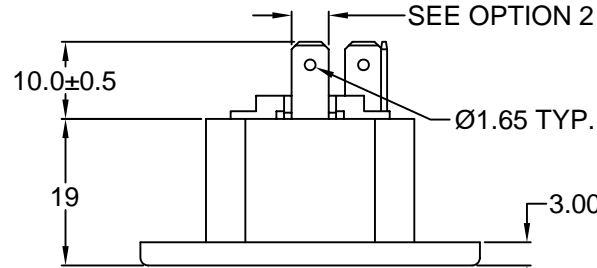
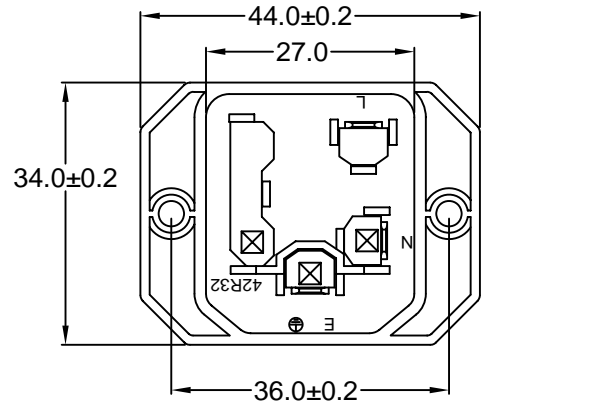
1 = 10A 250V 70°C  
2+GROUND



2 = 10A 250V 120°C  
2+GROUND



4 = 10A 250V 70°C  
2 POLE



D

C

B

A

REV	DATE	CHANGE	CHK	CHK	APPR

RoHS COMPLIANT

TOLERANCE UNLESS OTHERWISE SPECIFIED			
X	± 1		
X.X	± 0.4		
X.XX	± 0.20		
DRAWN BY	GQ	DATE:	09/09/01
CHECK BY	TD	DATE:	09/11/01
APPR BY	PB	DATE:	09/11/01

**Power Dynamics, Inc.**  
 Phone: 973 560-0019 Whippany, New Jersey Fax: 973 560-0076  
 PART: IEC 60320 SINGLE FUSE HOLDER APPL. INLET; QUICK CONNECT TERMINALS; SIDE FLANGE  
**42R32-1XXX**  
 SHEET 1 of 1  
 ALL DIMENSIONS FOR REFERENCE ONLY  
 DIMENSIONS ARE IN MILLIMETERS  
 REV: