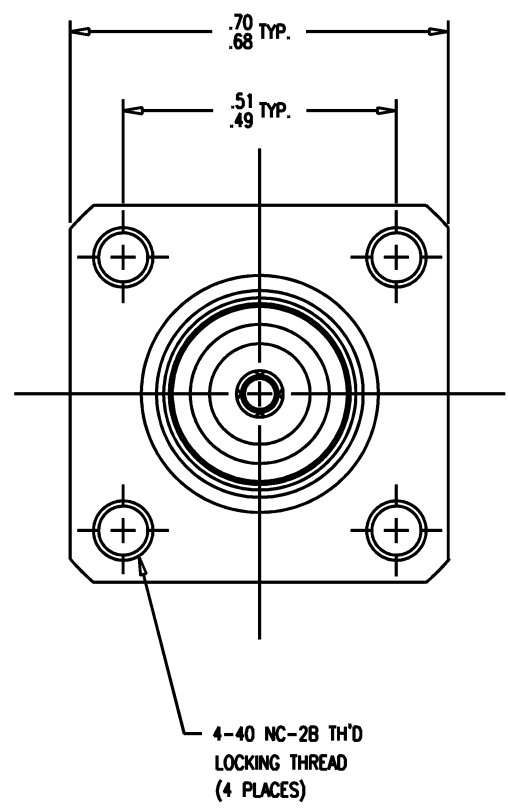
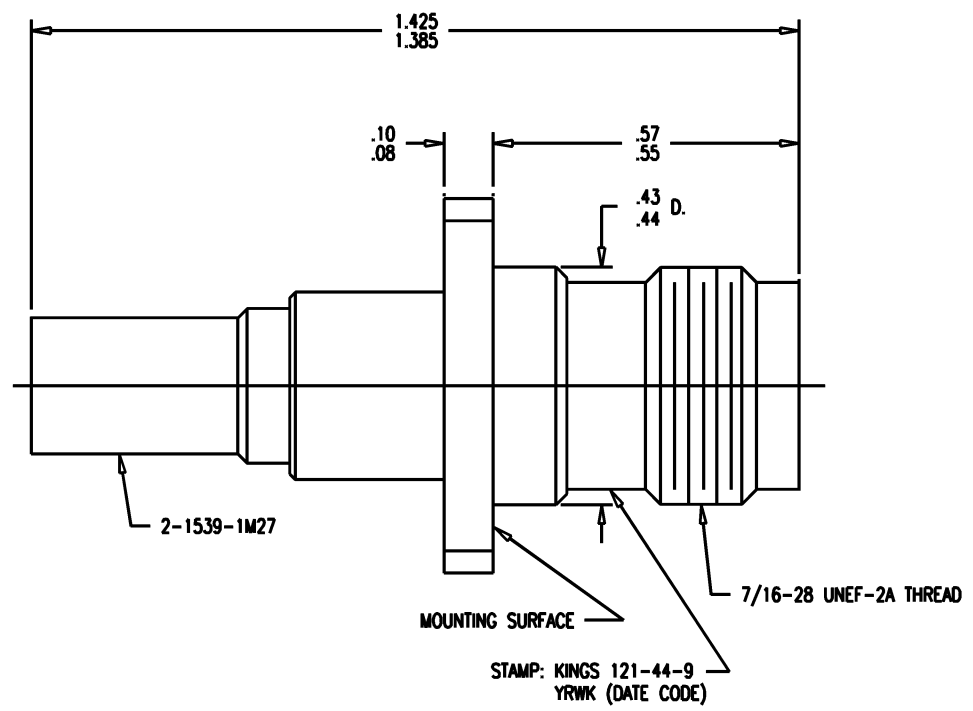


DASH NO.	M CODE	MADE FROM
----------	--------	-----------



- NOTES:
- FOR USE WITH BOEING S280W503-2 & ADAMS RUSSELL FC14Z CABLES.
 - FOR CABLING INSTRUCTIONS SEE 3-546-1.
 - FOR CRIMPING USE DIE KTH-2161.
 - INTERFACE PER MIL-STD-348, FIG. 313-2.
 - FOR USE WITH .140 MAX. PANEL.
 - CENTER CONTACT (1-507-38MA9) SUPPLIED UNASSEMBLED.
 - MARK PACKAGE: KINGS 121-44-9 YRWK (DATE/LOCATION CODE)
 - MATERIALS:
 INSULATOR: TEFLON, ASTM-D-4894
 K-GRIP SLEEVE: COM. BRONZE, ASTM-B-135
 CENTER CONTACT: BER. COPPER, ASTM-B-196
 ALL OTHER METAL PARTS: BRASS, ASTM-B16
 - FINISHES:
 CENTER CONTACT: GOLD PLATE, PER MIL-G-45204
 ALL OTHER METAL PARTS: KINGS TARNISH RESISTANT FINISH (TR-5)
 - ELECTRICAL CHARACTERISTICS:
 NOMINAL IMPEDANCE: 50 OHMS
 WORKING VOLTAGE: 500 VRMS
 FREQUENCY RANGE: DC TO 11 GHz
 VSWR: 1.30 MAX. .5 - 11 GHz.
 INSERTION LOSS: DC TO 2.5 GHz, 0.05 dB MAX
 2.5 TO 3.5 GHz, 0.12 dB MAX
 3.5 TO 5.0 GHz, 0.17 dB MAX
 - PROTECTIVE CAP TO BE SUPPLIED ASSEMBLED.
 - WEIGHT: 13.1 GRAMS (0.029 POUNDS)

UNLESS OTHERWISE SPECIFIED

- ALL DIMENSIONS IN INCHES [MILLIMETERS].
- TOLERANCES:
 .XXX ±.004 .XX ±.010
 [.XXX ±.10] [.XX ±.25]
 FRACTIONS: X/Y ±.010 [.25] ANGLES: ± 1'

★ CRITICAL DIMENSIONS

PART NO. 121-44-9

REVISIONS	
ISSUE	CHANGES
F	REVISED AND REDRAWN PER ER8354 RMS 06/05/08

CUSTOMER SALES DRAWING

SCALE 4:1
APPROX SURFACE AREA
USED ON
REF:

JACK, PANEL, TNC

DRAWN KH	DATE 04/27/94
DESIGN JT	DATE 04/28/94
APPR.	DATE

KINGS
 by WINCHESTER

Winchester Electronics
 62 Barnes Industrial
 Road North
 Wallingford, CT 06492

B
 SIZE

SD121-44-9