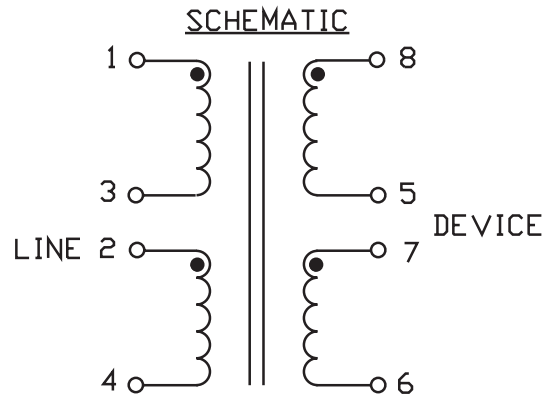


ADSL over ISDN CO MAGNETICS

S560-6600-ME

ELECTRICAL CHARACTERISTICS (@25°C)



LONGITUDINAL BALANCE:	50 dB MIN
20kHz - 2.2MHz	
INSERTION LOSS:	0.40 dB MAX
150kHz - 300kHz	
INSERTION LOSS:	0.76 dB MAX
1 MHz	
INSERTION LOSS:	1.50 dB MAX
2 MHz	
DC Unbalance Current:	2mA MAX
TOTAL HARMONIC DISTORTION	-80 dB MAX
50kHz, 5V _{rms} @ 150kHz	

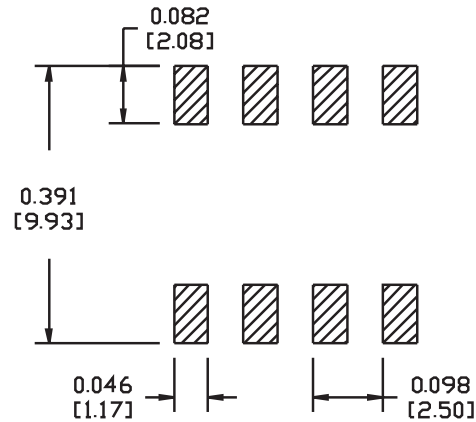
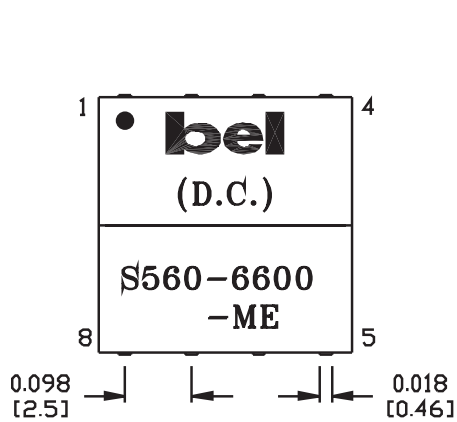
DESIGNED TO MEET UL60950, IEC60950 AND EN60950 WITH FUNCTIONAL INSULATION REQUIREMENTS FOR A WORKING VOLTAGE OF 250VAC.

NOMINAL TURNS RATIO:	0.9 : 1
(1-4) : (8-6)	
CONNECT PINS 2 TO 3 & 5 TO 7	
DC RESISTANCE:	1.5 Ω MAX
(1-4)	1.5 Ω MAX
(8-6)	
CONNECT PINS 2 TO 3 & 5 TO 7	
INDUCTANCE @ 10 kHz, 0.1 V _{rms} :	99 μH ±5%
(1-4)	
CONNECT PINS 2 TO 3	
LEAKAGE INDUCTANCE:	6 μH MIN - 10 μH MAX
(1-4)	
CONNECT PINS 2 TO 3 & 5 TO 7	
SHORT PINS 5, 6, 7, & 8	
INTERWINDING CAPACITANCE @100kHz	40 pF MAX
BETWEEN (1-4) & (8-6)	
CONNECT PINS 2 TO 3 & 5 TO 7	
PARALLEL CAPACITANCE @1MHz	40 pF MAX
(8-6) CONNECT TERMINALS 5 TO 7	
DIELECTRIC RATING (1 MINUTE, 500μA MAX LEAKAGE CURRENT):	600 VAC
BETWEEN PINS 1 & 2	
BETWEEN (1-4) & (8-6)	1500 VAC
CONNECT TERMINALS 2 TO 3 & 5 TO 7	
OPERATING TEMPERATURE RANGE:	-40°C TO +85°C

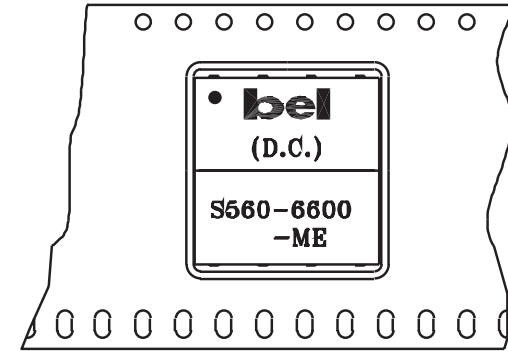


ADSL over ISDN CO MAGNETICS

S560-6600-ME

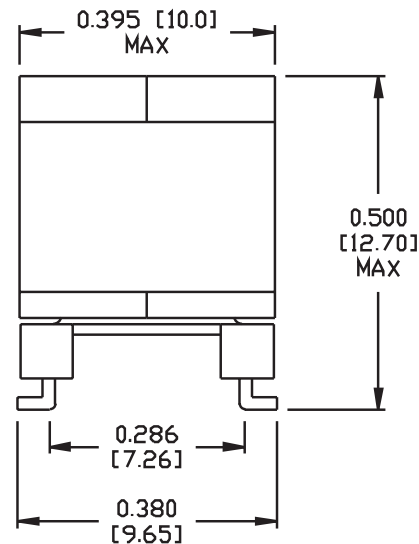
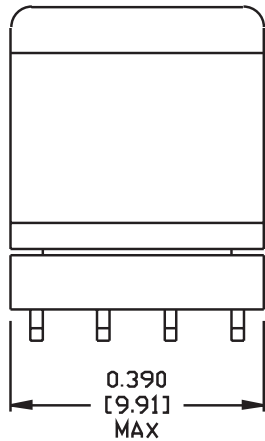


SUGGESTED PAD LAYOUT



USER FEED DIRECTION

ORIENTATION OF COMPONENT INSIDE POCKET



TAPE WIDTH	24MM
POCKET PITCH	20MM
QUANTITY OF COMPONENTS PER REEL	200
PLASTIC REEL OUTER DIAMETER	13 INCHES
PLASTIC REEL HUB DIAMETER	4 INCHES