

■ Features

- Highest Luminous Flux
- Super Energy Efficiency
- Long Lifetime Operation
- Superior ESD protection
- Superior UV Resistance

■ Applications

- Read lights (car, bus, aircraft)
- Portable (flashlight, bicycle)
- Bollards / Security / Garden
- Traffic signaling / Beacons
- In door / Out door Commercial lights
- Automotive Ext

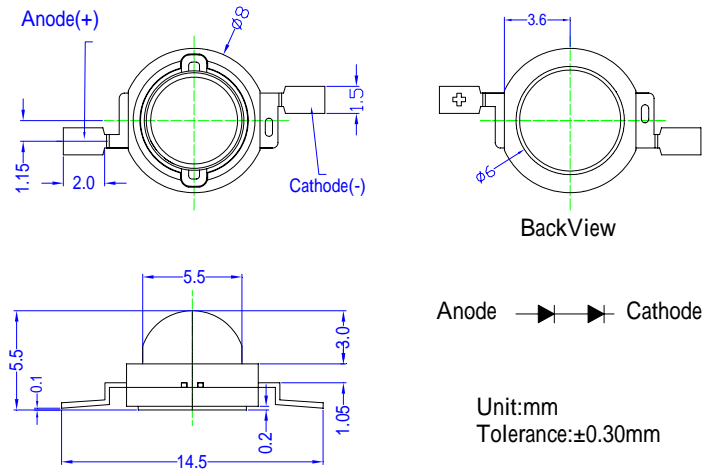
■ Absolute Maximum Rating (Ta=25 °C)

Item	Symbol	Value	Unit
		White/ Warm white	
DC Forward Current	I_F	1600	mA
Pulse Forward Current*	I_{FP}	2000	mA
Reverse Voltage	V_R	10	V
Power Dissipation	P_D	6400	mW
Operating Temperature	T_{opr}	-30 ~ +85	
Storage Temperature	T_{stg}	-40 ~ +100	
Lead Soldering Temperature	T_{sol}	260 /5sec	

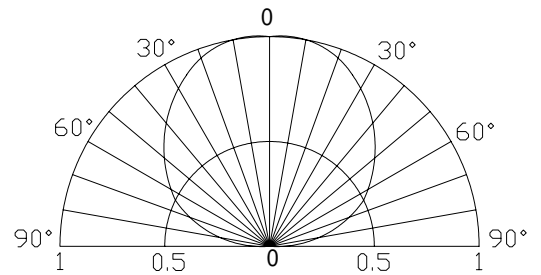
*Pulse width Max.10ms Duty ratio max 1/10

■ Electrical -Optical Characteristics (Ta=25 °C)

Part Number	Color		V_F (V)			I_R (μ A)	CCT (K)	Luminous Flux ν (lm)			λD (nm)			201/2 (deg)
			Per Segment or (Dp)					Max.	Typ	Min	Typ.	Max.	Min.	
			Min.	Typ.	Max.	$I_F=1400mA$								$I_F=1400mA$
OSW4X2E5D1E	Pure White	W4	6.5	7.0	8.0	10	6500	300	320	-	X=0.31 ,Y=0.33			125
OSM5X2E5D1E	Warm White	M5	6.5	7.0	8.0	10	3000	280	300	-	X=0.45,Y=0.41			



■ Directivity



Note: Don't drive at rated current more than 5s without heat sink for Xeon 3 emitter series.

■ Handling of Silicone Lens LEDs

Notes for handling of silicone lens LEDs

- Please do not use a force of over 3kgf impact or pressure on the silicone lens, otherwise it will cause a catastrophic failure.
- The LEDs should only be picked up by making contact with the sides of the LED body.
- Avoid touching the silicone lens especially by sharp tools such as Tweezers.
- Avoid leaving fingerprints on the silicone lens.
- Please store the LEDs away from dusty areas or seal the product against dust.
- When populating boards in SMT production, there are basically no restrictions regarding the form of the pick and place nozzle, except that mechanical pressure on the silicone lens must be prevented.
- Please do not mold over the silicone lens with another resin. (epoxy, urethane, etc)

