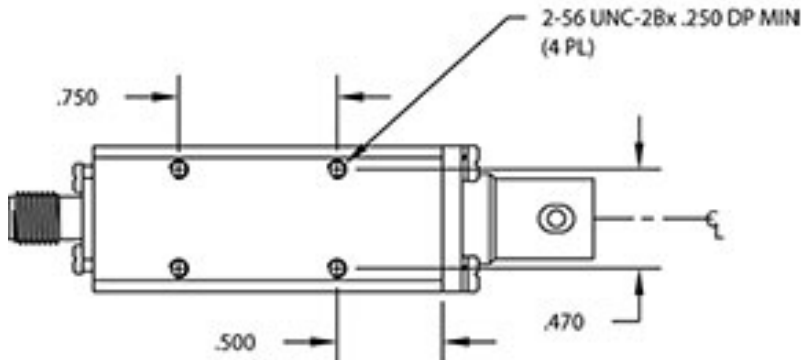
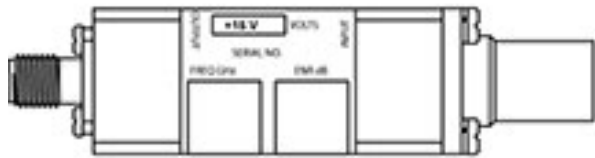
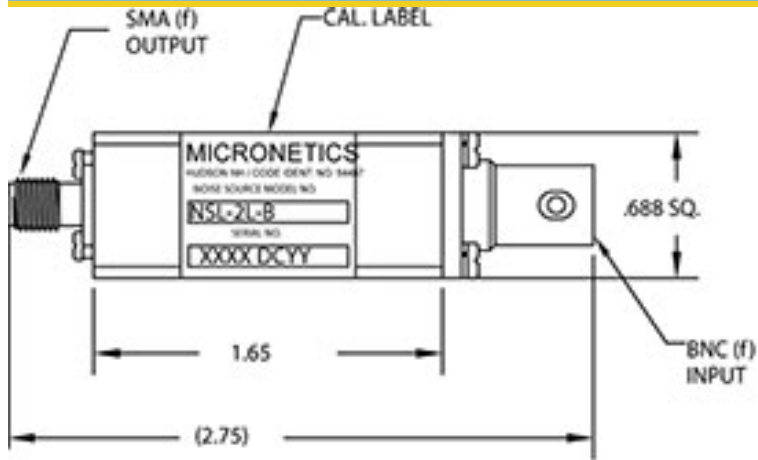


# Broadband Microwave Coaxial Noise Sources

## NSL2L-B

### 1 MHz to 1000 MHz



## Specifications

RF Frequency	1 MHz to 1000 MHz
Noise Output	14 - 16 dB ENR
Noise Spectral Density ( $N_o$ )	-159 dBm/Hz
VSWR	1.3:1
Peak Factor	5:1
Bias Voltage	15 V
Supply Current	25 mA Max
Impedance	50 ohms

## Package and Connectivity

Construction	Coaxial
Connector Type	SMA(f)

## Environmental

Operating Temperature	-55 to 95 °C
Storage Temperature	-65 to 125 °C

## Notes

Specifications subject to change without notice

Micronetics, Inc. | Hudson, NH | Tel: 1-603-883-2900 | [www.Micronetics.com](http://www.Micronetics.com)

# MICRONETICS

