

Gigabit RJ-45 USB Combo with Magnetic Module



N6111



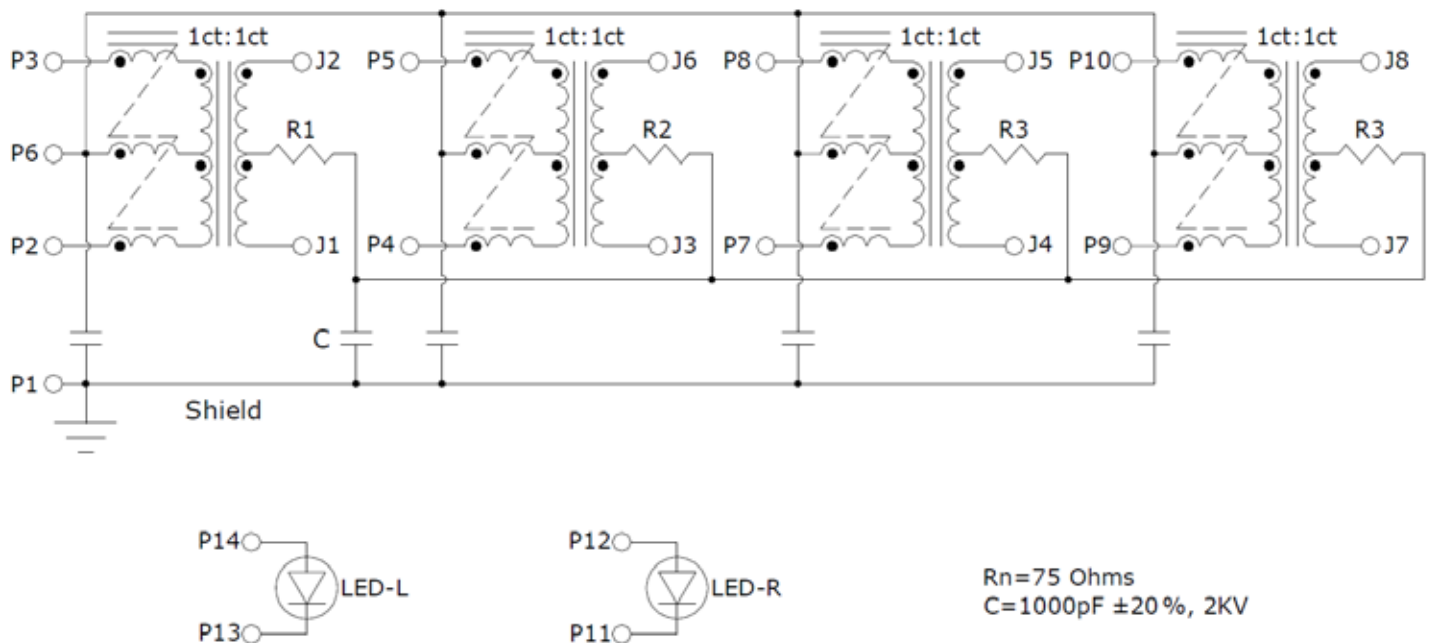
- Shielded RJ-45 connector with integrated Gigabit Ethernet magnetics and dual USB connector
- Complies with IEEE 802.3ab standards and all Gigabit Ethernet applications including 350μH with 8mA DC Bias
- Compatible with a variety of Gigabit Ethernet tranceiver ICs and 10/100BASE-TX transeiver ICs
- Minimum interwinding breakdown voltage of 1500Vrms
- Operating temperature: 0°C to 70°C
- Storage temperature: -40°C to 85°C

ELECTRICAL SPECIFICATION @ 25°C

Insertion Loss (dB max.)		Return Loss (dB min.)		Common to Common Mode Rejection (dB min.)	Common to Diferential Mode Rejection (dB min.)	Crosstalk (dB min.)
0.1-100 MHz	100-125 MHz	0.5-40 MHz	40-100 MHz	0.1-100 MHz	0.1-100 MHz	0.1-100 MHz
-0.8	-1.2	-18	-12+20Log (f/80MHz)	-30	-35	-33+20Log (f/100MHz)

- **Note:** 1) Contact: Phosphor Bronze, 6 micro-inch gold flashed (Unless specified) 4) Operating Life: 750 cycles min.
- 2) Different metal shielding (Nickel Plated Copper Alloy) 5) PCB retention pre-solder: 1 Lb min.
- 3) Housing: Thermoplastic, flammability rating UL94V-0 6) PCB retention post- solder: 10 Lbs min.
- Other versions available with alternate pin-out configurations. Contact MPS Engineering Team.

Schematic



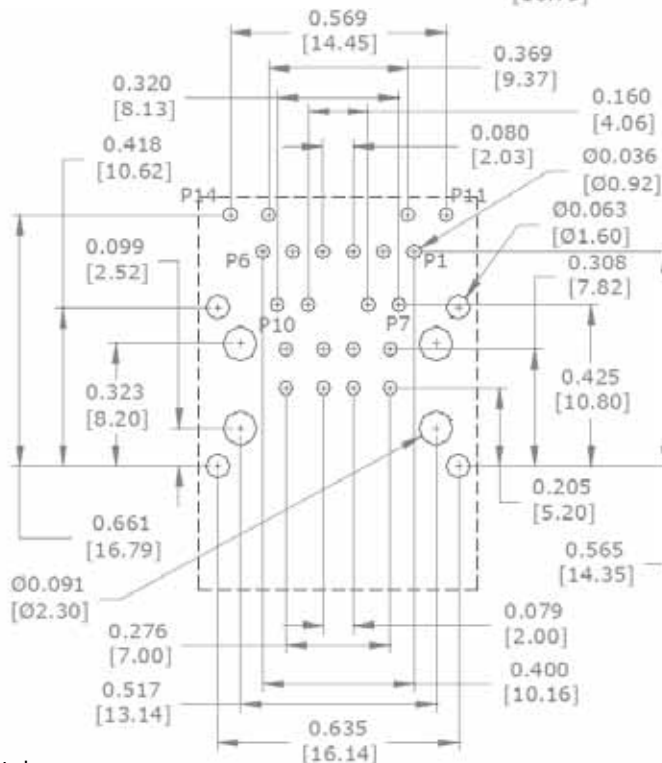
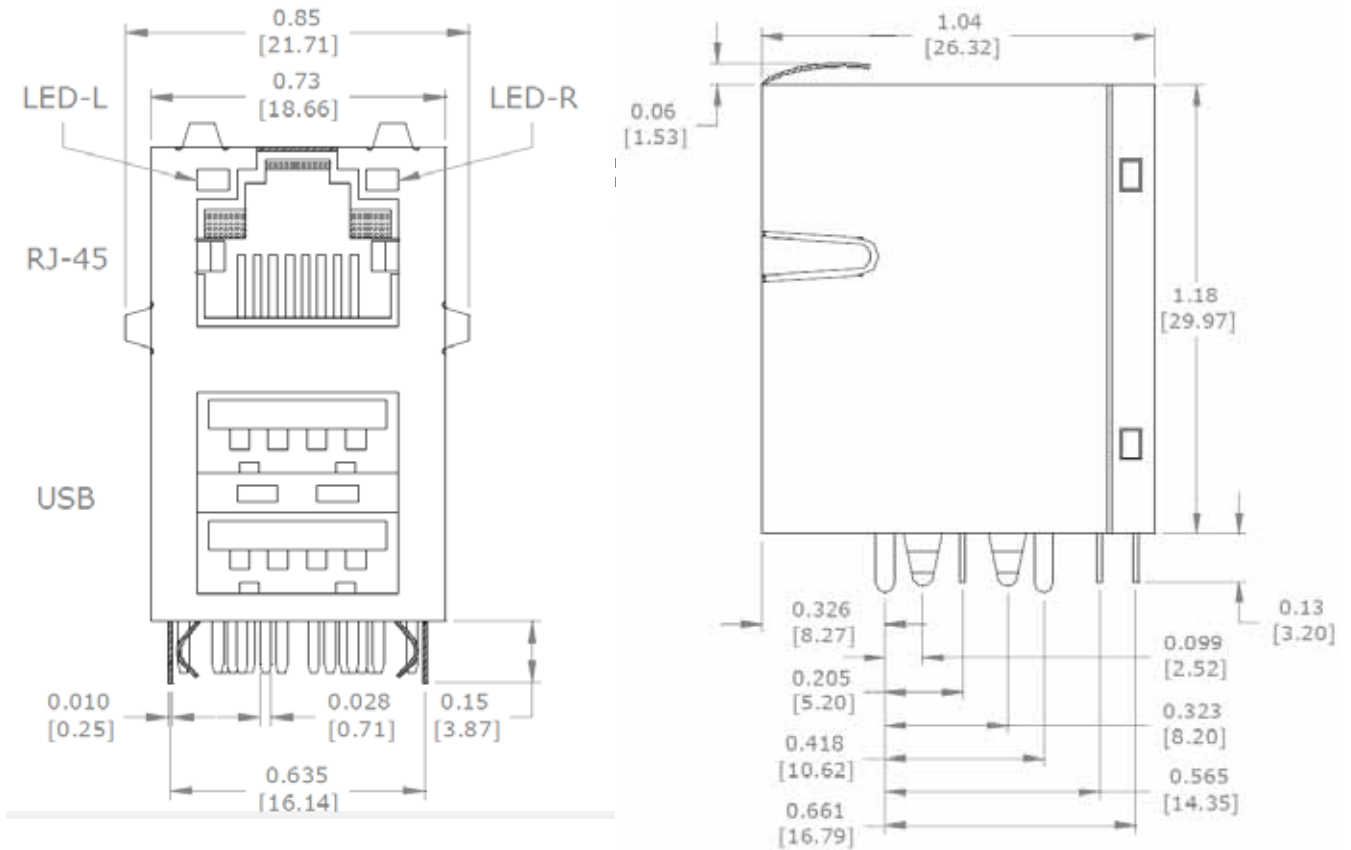
N6111-A
0447TA
1

Product performance is limited to specified parameter. Data is subject to change without prior notice.

Gigabit RJ-45 USB Combo with Magnetic Module



Mechanical



Dimensions

Unless otherwise specified, all tolerances are:
 .XX ± 0.010" & .XXX ± 0.003"
 Inches
 [mm]

Suggested PCB Layout

Product performance is limited to specified parameter. Data is subject to change without prior notice.

N6111-A
 0447TA
 2