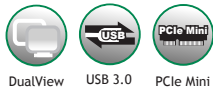
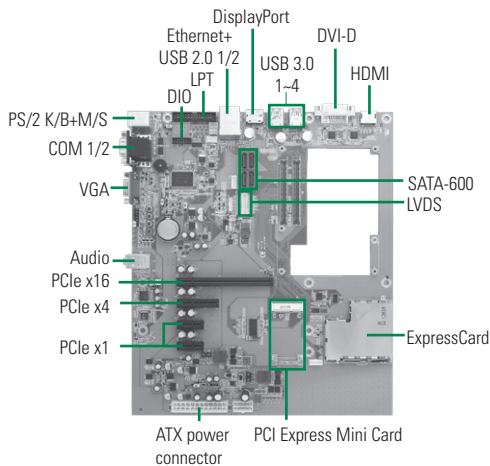


CEB94006

COM Express™ Type 6 Development Baseboard



System

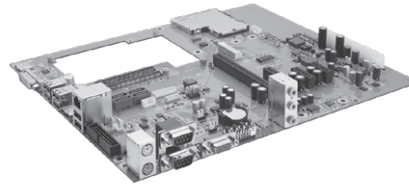
CPU	COM Express™ type 6 module
System Memory	On the module
Chipset	On the module
BIOS	On the module
SSD	N/A
Watchdog Timer	255 levels, 1~255 sec.
Expansion Interface	1 x PCIe x16 slot 1 x PCIe x4 slot 1 x PCI Express Mini Card 1 x ExpressCard slot 2 x PCIe x1 slot
Battery	Lithium 3V/220mAh
Power Requirements	TBD
Size	244 x 291 mm
Board Thickness	1.6 mm
Temperature	0° ~ +60°C (32°F ~ 140°F), operation
Operation Humidity	10% ~ 95% relative humidity, non-condensing

I/O

MIO	1 x PS/2 keyboard 1 x PS/2 mouse 1 x LPT 2 x RS-232
SATA	4 x SATA-600 connector
Hardware Monitoring	Detect CPU/system temperature, voltage and fan speed
Ethernet	1 x RJ-45 for 10/100/1000Mbps
Audio	HD audio with Line-in/Line-out/MIC-in
USB	2 x USB 2.0, 4 x USB 3.0
SPI	Yes
SMBus	Yes
Digital I/O	4 channels IN & 4 channels OUT
Port 80 Display	Dual 7 segments Port 80 display for convenient debugging purpose through LPC interface
Display	1 x LVDS; 18/24-bit single/dual channel 1 x VGA 1 x DisplayPort 1 x HDMI 1 x DVI-D

Features

- COM Express™ type 6 baseboard for evaluation purpose
- USB 3.0 supported
- Port 80 display for debugging
- Switch button for PWRBTN, RESET, SLEEP, LID



▲ Side view

Packing List

Quick installation guide, user's manual/utility CD

Ordering Information

Standard

CEB94006DGA (P/N: E394006100)	COM Express™ type 6 evaluation baseboard with PCI Express Mini Card, 1 10/100/1000Mbps Ethernet, DisplayPort/HDMI and multiple I/O features
----------------------------------	---

Compliant Modules

CEM860DG -i7-27150E (P/N: E380860100)	COM Express™ type 6 module with Intel® Quad Core™ i7-2715QE 2.1 GHz, VGA/LVDS, 10/100/1000Mbps Ethernet, USB 3.0 and TPM (recommended cooler P/N: E39J000100)
CEM860DG -i7-2610UE (P/N: E380860102)	COM Express™ type 6 module with Intel® Core™ i7-2610UE 1.5 GHz, VGA/LVDS, 10/100/1000Mbps Ethernet and TPM (recommended cooler P/N: E39J000101)
CEM860DG -i5-2515E (P/N: E380860101)	COM Express™ type 6 module with Intel® Core™ i5-2515E 2.5 GHz, VGA/LVDS, 10/100/1000Mbps Ethernet, USB 3.0 and TPM (recommended cooler P/N: E39J000101)
CEM860DG -i3-2340UE (P/N: E380860103)	COM Express™ type 6 module with Intel® Core™ i3-2340UE 1.3 GHz, VGA/LVDS, 10/100/1000Mbps Ethernet, USB 3.0 and TPM (recommended cooler P/N: E39J000101)
CEM860DG -B810E (P/N: E380860104)	COM Express™ type 6 module with Intel® Celeron® B810E 1.6 GHz, VGA/LVDS, 10/100/1000Mbps Ethernet, TPM (recommended cooler P/N: E39J000102)
CEM860DG -i7-2610UE WT	COM Express™ type 6 module with Intel® i7-2610UE 1.5 GHz, VGA/LVDS, 10/100/1000Mbps Ethernet and TPM (recommended cooler P/N: E39J000101)