

6

5

4

3

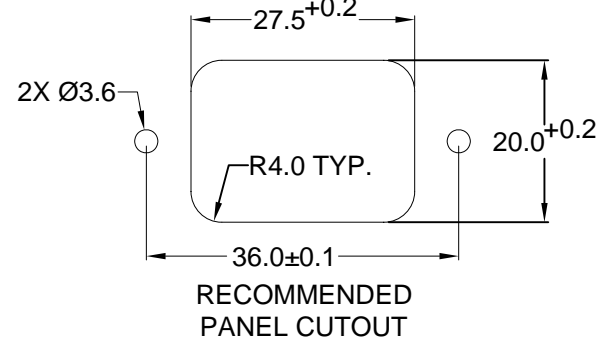
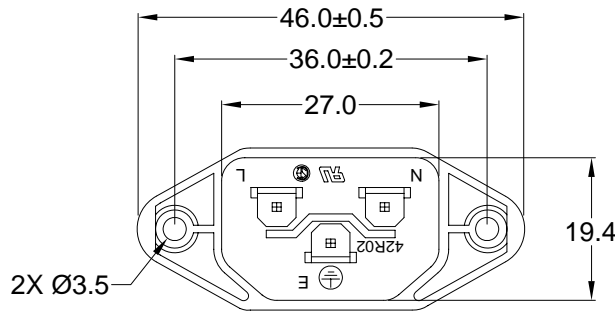
2

1

MATERIAL AND FINISH:
 Insulator: Polycarbonate, UL-94V-0 rated
 Contacts: Brass, Nickel plated

ELECTRICAL SPECIFICATIONS:

Current rating: 10 A
 Voltage rating: 250 VAC
 Current rating: 15 A
 Voltage rating: 250 VAC



ORDERING CODE:

42R02-1 _ _ _
 1 2 3

1 = TERMINAL OPTIONS

- 1 = .187(4.8)
- 2 = .250(6.3)

2 = COLOR

- 1 = BLACK
- 2 = GRAY

3 = ELECTRICAL CIRCUIT CONFIGURATION

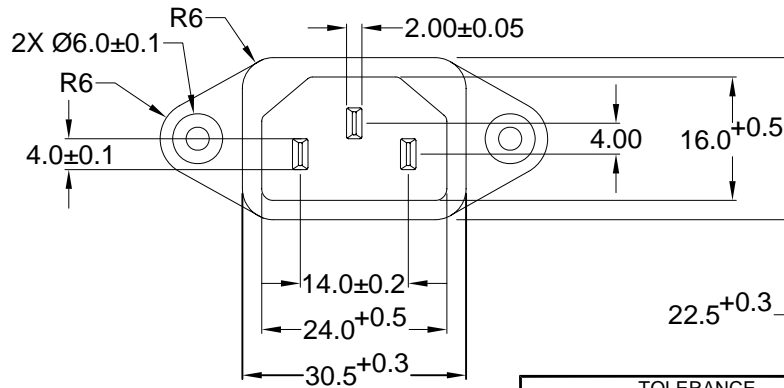
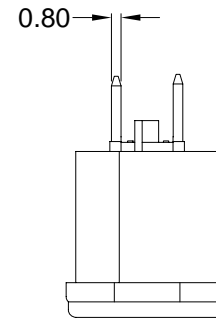
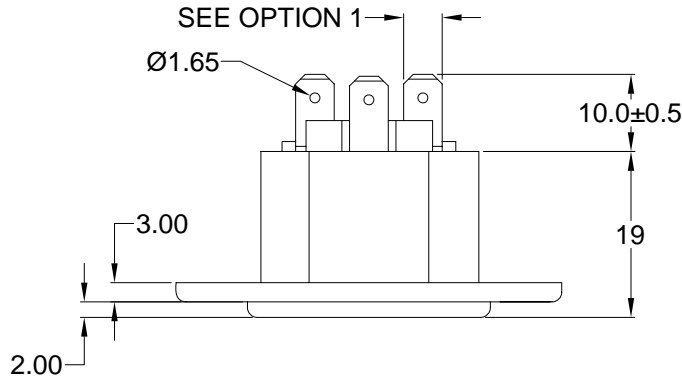
1 = 15A 250V 120°C
 2+GROUND



2 = 15A 250V 70°C
 2+GROUND



4 = 15A 250V 70°C
 2 POLE



**TOLERANCE
 UNLESS OTHERWISE SPECIFIED**

X	± 1
X.X	± 0.4
X.XX	± 0.20

Power Dynamics, Inc.

Phone: 973 560-0019 Whippany, New Jersey Fax: 973 560-0070

PART: IEC 60320 C14 APPL. INLET; QUICK CONNECT
 TERMINALS; SIDE FLANGED, PANEL MOUNT

DRAWN BY	GQ	DATE:	8/3/01
CHECK BY	TD	DATE:	8/13/01
APPR BY	PB	DATE:	8/13/01

42R02-1XXX

SHEET
 1 of 1

SIZE: A
 SCALE: NTS
 ALL DIMENSIONS FOR REFERENCE ONLY
 DIMENSIONS ARE IN MILLIMETERS

REV:



REVISIONS	CHNG	CHECK	APPR
	CHANGE		
	REV	DATE	

6

5

4

3

2

1