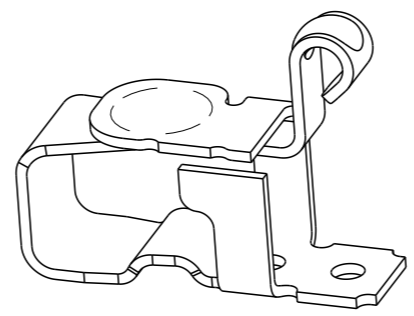
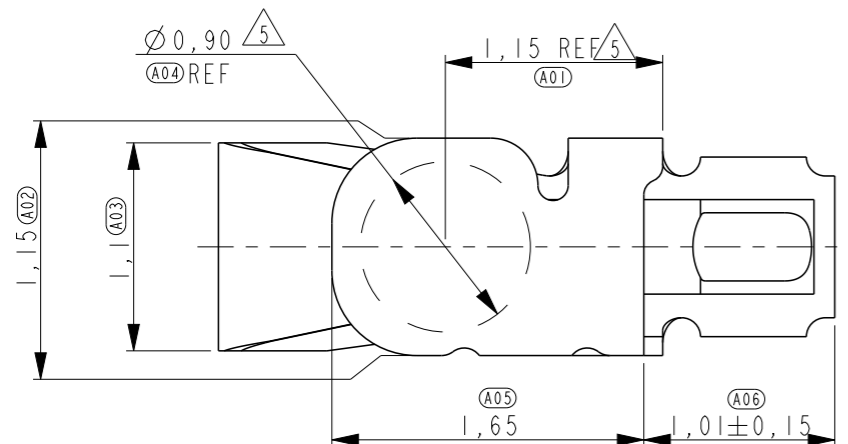
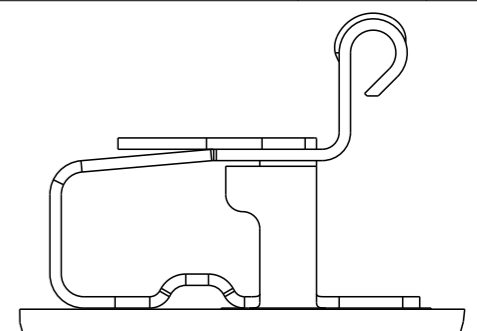


THIS DRAWING IS UNPUBLISHED. RELEASED FOR PUBLICATION. ALL RIGHTS RESERVED.

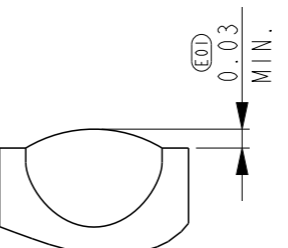
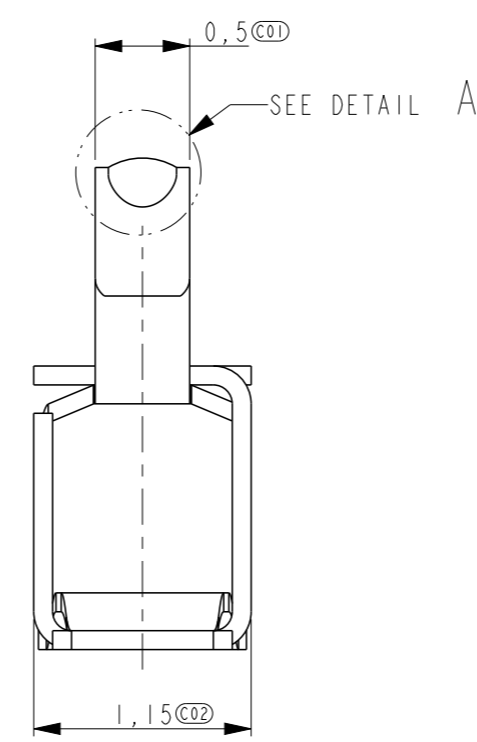
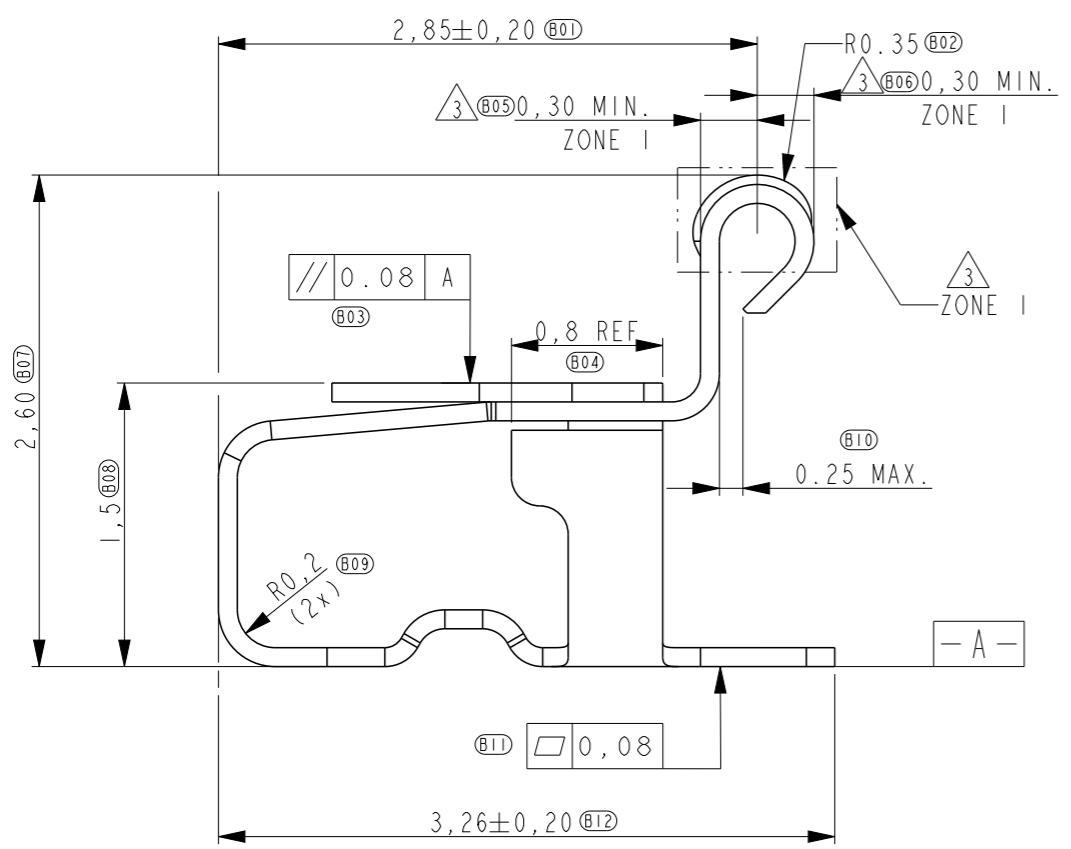
| LOC | DIST | REVISIONS | | | |
|-----|------|-------------|---------|-----------|---------|
| P | LTR | DESCRIPTION | DATE | DWN | APVD |
| ES | 00 | B | UPDATED | 18AUG2011 | T.Z S.Y |



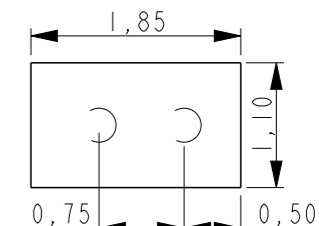
SCALE 15:1



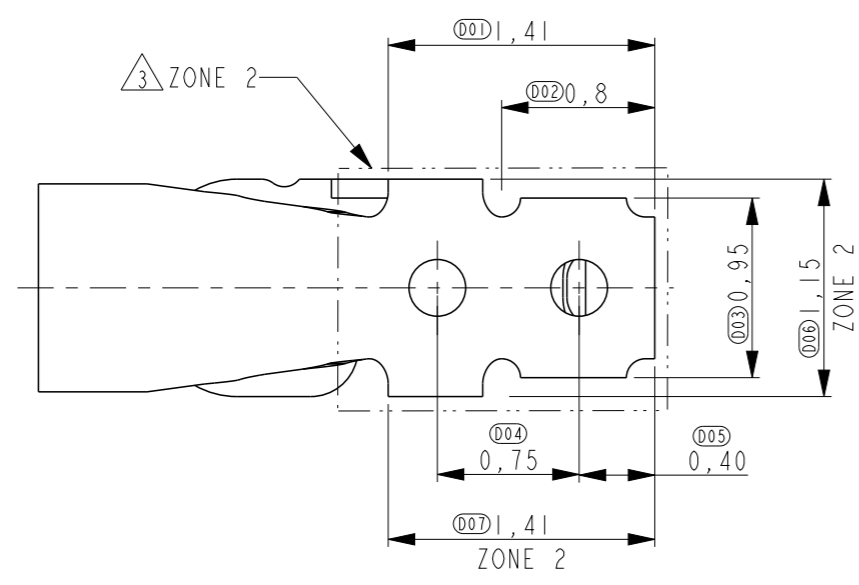
SCALE 15:1 REFERENCE VIEW FOR COMPONENT PLACEMENT



DETAIL A SCALE 50:1



SCALE 15:1 RECOMMENDED PWB LAY-OUT (±0.05) DASHED CIRCLES ARE THE LOCATION OF THE SPRING FINGER BOTTOM HOLES



- 1 PART NUMBER: 1551574-5 AS SHOWN.
- 2 MATERIAL: STAINLESS STEEL.
- 3 PLATING: 1,3um MIN. NICKEL UNDERLAYER ALL OVER
ZONE 1: 0,50um MIN. GOLD
ZONE 2: 0.05-0.3um GOLD FLASH
- 4 NORMAL FORCE 0.6±0.2N AT NOMINAL HEIGHT 2.0MM.
- 5 INDICATED SURFACE TO BE USED AS PICK AND PLACE SURFACE.

| | | | | | |
|--|--|---------------------------------|--|-----------------------------------|--|
| THIS DRAWING IS A CONTROLLED DOCUMENT. | | DWN 22-JUN-2010 Tony Zhang | | TE Connectivity | |
| DIMENSIONS: mm | | CHK 22-JUN-2010 Harada Yohei | | | |
| TOLERANCES UNLESS OTHERWISE SPECIFIED: | | APVD 22-JUN-2010 Steven Yao | | NAME SPRING FINGER H=2.60mm | |
| 0 PLC ±0.2 | | PRODUCT SPEC 108-115008 | | SIZE A3 | |
| 1 PLC ±0.1 | | APPLICATION SPEC | | CAGE CODE C-1551574 | |
| 2 PLC ±0.1 | | WEIGHT 0.0078g | | DRAWING NO 1551574 | |
| 3 PLC ±0.05 | | CUSTOMER DRAWING | | RESTRICTED TO | |
| 4 PLC ± | | SCALE 25:1 | | SHEET 1 OF 2 | |
| ANGLES ±5° | | REV B | | | |
| FINISH | | | | | |

THIS DRAWING IS UNPUBLISHED.

RELEASED FOR PUBLICATION

© COPYRIGHT -

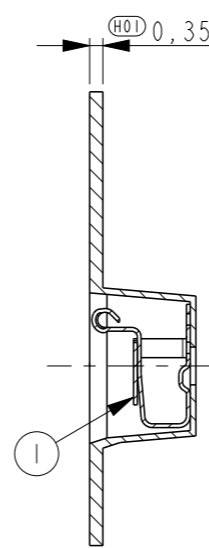
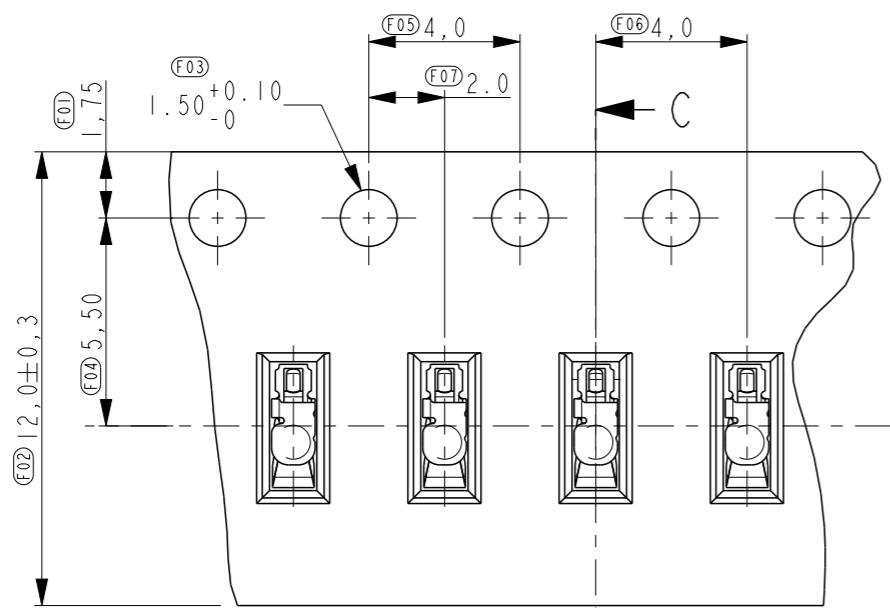
ALL RIGHTS RESERVED.

LOC
ES

DIST
-

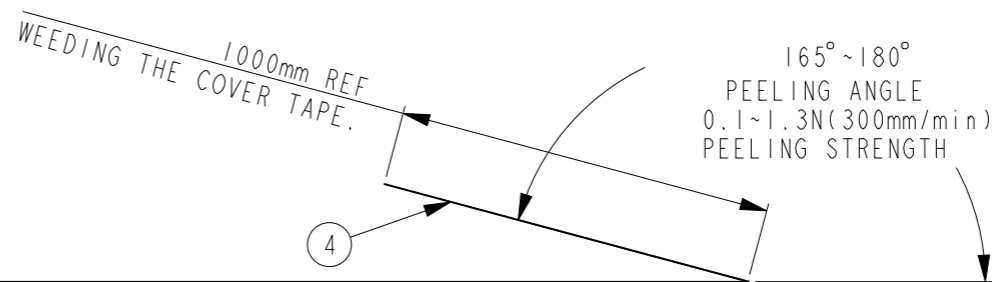
REVISIONS

| P | LTR | DESCRIPTION | DATE | DWN | APVD |
|---|-----|-------------|------|-----|------|
| - | - | SEE SHEET 1 | - | - | - |



SCALE 5:1

SECTION C-C

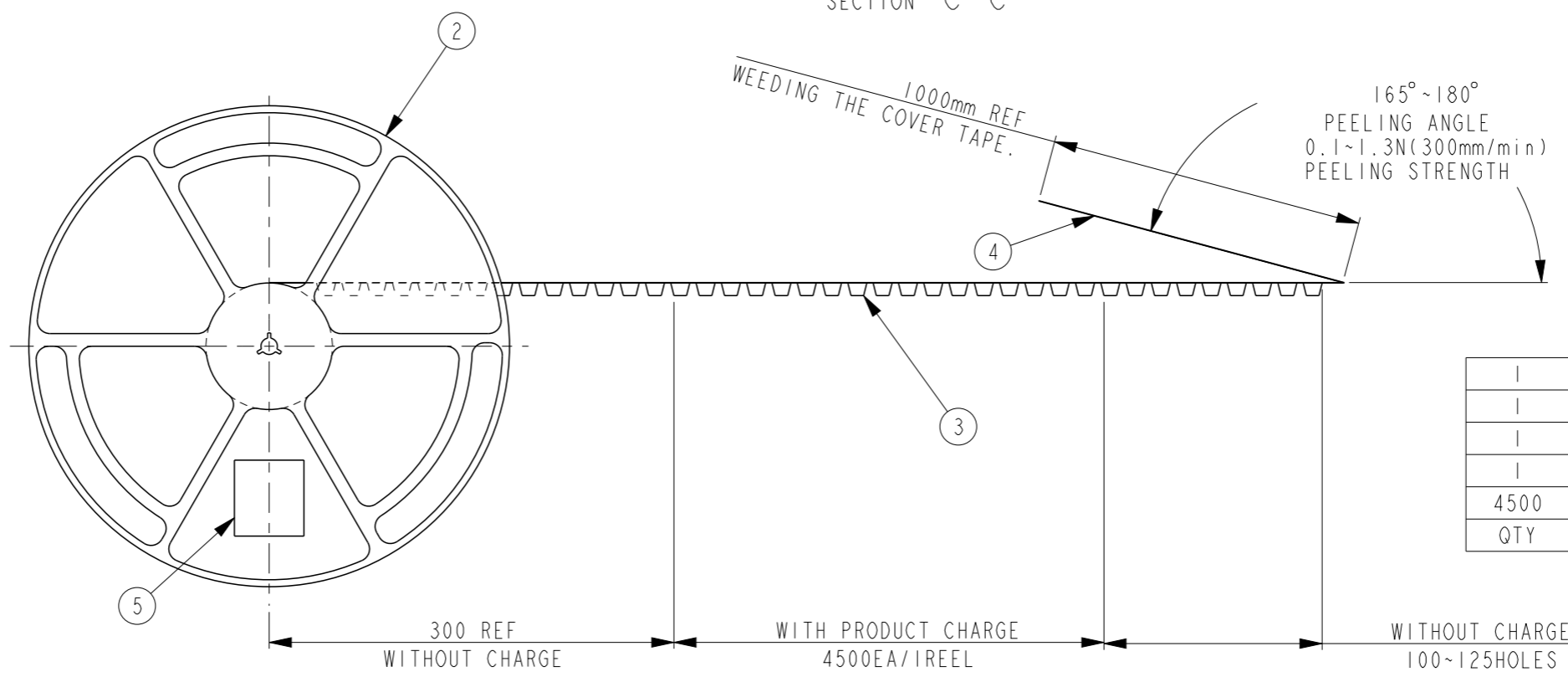


FRANGE CORE DIA
Ø 100 ± 1

Ø 330 ± 1
REEL DIA.

+2
12.4 0

18.4 MAX
REEL WIDTH



| | | |
|------|---------------|------|
| 1 | LABEL | 5 |
| 1 | COVER TAPE | 4 |
| 1 | EMBOSS | 3 |
| 1 | PLASTIC REEL | 2 |
| 4500 | SPRING FINGER | 1 |
| QTY | DESCRIPTION | ITEM |

THIS DRAWING IS A CONTROLLED DOCUMENT.

| DIMENSIONS: | TOLERANCES UNLESS OTHERWISE SPECIFIED: |
|-------------|--|
| mm | |
| 0 PLC | ±0.2 |
| 1 PLC | ±0.1 |
| 2 PLC | ±0.1 |
| 3 PLC | ±0.05 |
| 4 PLC | ± |
| ANGLES | ±5° |

MATERIAL -

FINISH -

| | |
|------------------|--|
| DWN | |
| CHK | |
| APVD | |
| PRODUCT SPEC | |
| APPLICATION SPEC | |
| WEIGHT | |
| CUSTOMER DRAWING | |

STE TE Connectivity

| | | | |
|-----------|-----------|---------------------------|---------------|
| NAME | | SPRING FINGER H=2.60mm | |
| SIZE | CAGE CODE | DRAWING NO | RESTRICTED TO |
| A3 | | C-1551574 | - |
| SCALE 5:1 | | SHEET 2 OF 2 | REV B |