

6367254 MOTOROLA SC (XSTRS/R F)

96D 80605 D
T-33-17

MOTOROLA SEMICONDUCTOR TECHNICAL DATA

**BD516
BD518
BD520**

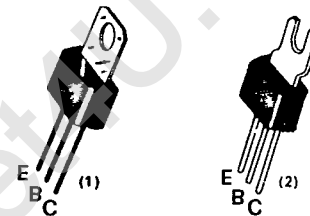
PNP SILICON ANNULAR AMPLIFIER TRANSISTORS

PNP SILICON ANNULAR AMPLIFIER TRANSISTORS

45 - 60 - 80 VOLTS
10 WATTS

... designed for general-purpose, high-voltage amplifier and driver applications.

- High Collector-Emitter Breakdown Voltage —
 $V_{CEO} = 45 \text{ Vdc (Min) @ } I_C = 1 \text{ mAdc — BD516}$
 $80 \text{ Vdc (Min) @ } I_C = 1 \text{ mAdc — BD518}$
 $80 \text{ Vdc (Min) @ } I_C = 1 \text{ mAdc — BD520}$
- High Power Dissipation — $P_D = 10 \text{ W @ } T_C = 25^\circ\text{C}$
- Complements to BD515, BD517, BD519



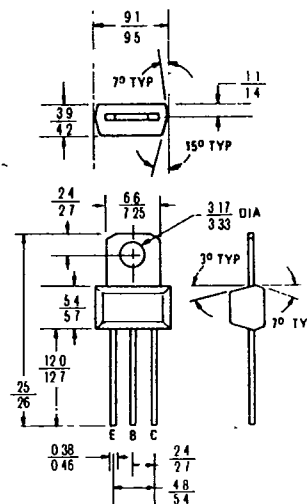
(1) Standard package: BD516, 518, 520
 (2) Tab formed for flat mounting: BD516-1, 518-1, 520-1
 Also available with leads formed to TO-5 configuration: BD516-5, 518-5, 520-5

MAXIMUM RATINGS

Rating	Symbol	BD516	BD518	BD520	Unit
Collector-Emitter Voltage	V_{CEO}	45	60	80	Vdc
Collector-Base Voltage	V_{CB}	45	60	80	Vdc
Emitter-Base Voltage	V_{EB}	4.0			Vdc
Collector Current - Continuous	I_C	2.0			Adc
Total Device Dissipation @ $T_A = 25^\circ\text{C}$ Derate above 25°C	P_D	1.0	8.0		Watt mW/°C
Total Device Dissipation @ $T_C = 25^\circ\text{C}$ Derate above 25°C	P_D	10	80		Watts mW/°C
Operating and Storage Junction Temperature Range	T_J, T_{stg}	-55 to +150			°C

THERMAL CHARACTERISTICS

Characteristic	Symbol	Max	Unit
Thermal Resistance, Junction to Case	θ_{JC}	12.5	°C/W
Thermal Resistance, Junction to Ambient	θ_{JA}	125	°C/W



All dimensions in millimeters
 Collector connected to tab

CASE 152



6367254 MOTOROLA SC (XSTRS/R F)

96D 80606 D

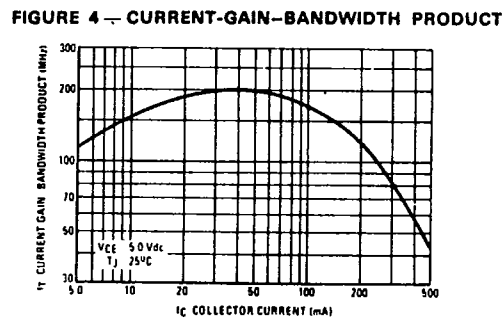
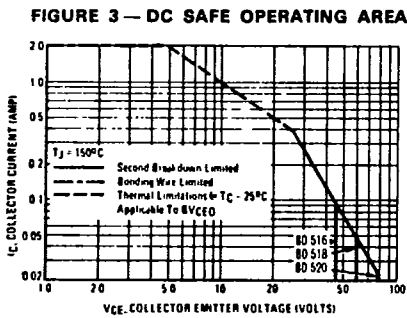
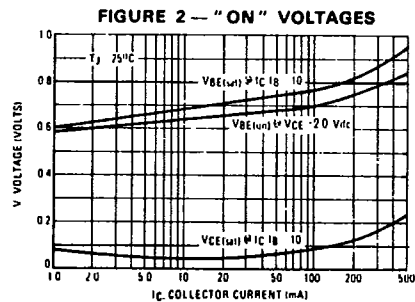
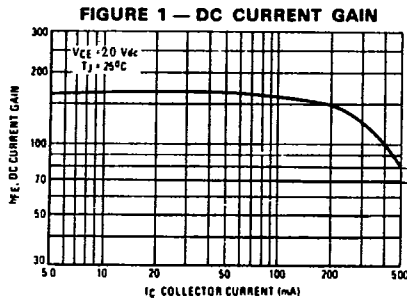
BD516, BD518, BD520

T-33-17

ELECTRICAL CHARACTERISTICS ($T_C = 25^\circ\text{C}$ unless otherwise noted)

Characteristic	Symbol	Min	Typ	Max	Unit
OFF CHARACTERISTICS					
Collector-Emitter Breakdown Voltage ($I_C = 1.0 \text{ mAdc}, I_B = 0$)	BD516 BD518 BD520	BV_{CEO}	45 60 80	— — —	Vdc
Emitter-Base Breakdown Voltage ($I_E = 100 \mu\text{Adc}, I_C = 0$)		BV_{EBO}	4.0	—	Vdc
Collector Cutoff Current ($V_{CB} = 30 \text{ Vdc}, I_E = 0$) ($V_{CB} = 40 \text{ Vdc}, I_E = 0$) ($V_{CB} = 60 \text{ Vdc}, I_E = 0$)	BD516 BD518 BD520	I_{CBO}	— — —	— — —	nAdc
ON CHARACTERISTICS					
DC Current Gain (1) ($I_C = 10 \text{ mAdc}, V_{CE} = 2.0 \text{ Vdc}$) ($I_C = 150 \text{ mAdc}, V_{CE} = 2.0 \text{ Vdc}$) ($I_C = 500 \text{ mAdc}, V_{CE} = 2.0 \text{ Vdc}$)		h_{FE}	— 60 25	150 130 80	—
Collector-Emitter Saturation Voltage (1) ($I_C = 500 \text{ mAdc}, I_B = 50 \text{ mAdc}$) ($I_C = 500 \text{ mAdc}, I_B = 25 \text{ mAdc}$)		$V_{CE(sat)}$	— —	0.24 0.32	Vdc
Base-Emitter On Voltage (1) ($I_C = 500 \text{ mAdc}, V_{CE} = 2.0 \text{ Vdc}$)		$V_{BE(on)}$	—	0.78	Vdc
SMALL-SIGNAL CHARACTERISTICS					
Current-Gain-Bandwidth Product ($I_C = 200 \text{ mAdc}, V_{CE} = 5.0 \text{ Vdc}, f = 100 \text{ MHz}$)		f_T	50	125	MHz
Output Capacitance ($V_{CB} = 10 \text{ Vdc}, I_E = 0, f = 100 \text{ kHz}$)		C_{ob}	—	10	pF

(1) Pulse Test Pulse Width $\leq 300 \mu\text{s}$, Duty Cycle $\leq 2.0\%$



There are two limitations on the power handling ability of a transistor: junction temperature and secondary breakdown. Safe operating area curves indicate $I_C - V_{CE}$ limits of the transistor that must be observed for reliable operation, i.e., the transistor must not be subjected to greater dissipation than the curves indicate

The data of Figure 3 is based on $T_j(pk) = 150^\circ\text{C}$, T_C is variable depending on conditions. At high case temperatures, thermal limitations will reduce the power that can be handled to values less than the limitations imposed by secondary breakdown