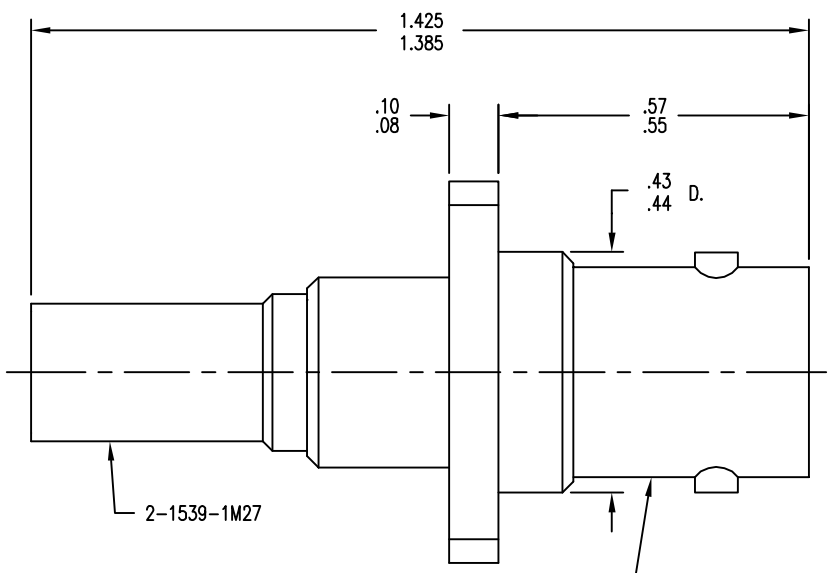
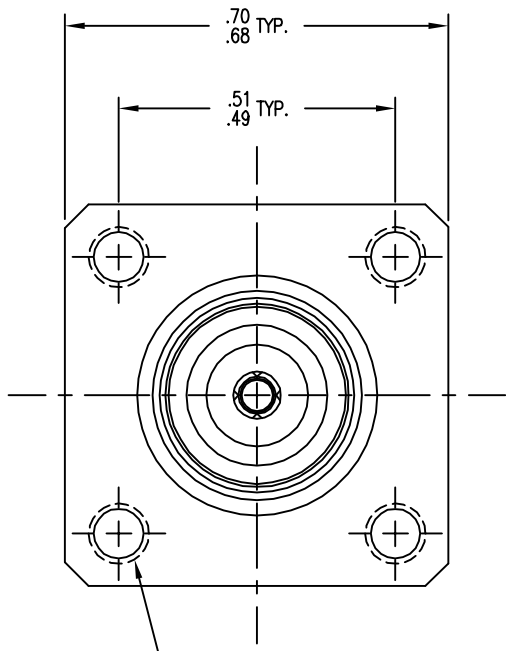


751-22-9



MARK: KINGS 751-22-9 (DATE CODE)



4-40 UNC-2B TH'D  
LOCKING THREAD  
(4 PLACES)

**NOTES:**

1. FOR USE WITH BOEING BMS13-65 OF & ADAMS RUSSELL FC14Z CABLES.
2. FOR CABLING INSTRUCTIONS SEE 3-546-1.
3. FOR CRIMPING USE DIE KTH-2161.
4. INTERFACE PER MIL-STD-348, FIG. 301-2.
5. FOR USE WITH .140 MAX. PANEL.
6. CENTER CONTACT (1-507-38MA9) SUPPLIED UNASSEMBLED.
7. MARK PACKAGE: KINGS 751-22-9 (DATE CODE)
8. MATERIALS:  
 INSULATOR: TEFLON, ASTM D1710  
 K-GRIP SLEEVE: COM. BRONZE, ALLOY ASTM B135  
 CENTER CONTACT F: BER. COP., ASTM B196  
 ALL OTHER METAL PARTS: BRASS, ASTM B16
9. FINISHES:  
 CENTER CONTACT: .000050 MIN GOLD PLATE PER ASTM B488 OVER .000050 MIN NICKEL PER AMS-QQ-N-290 (RoHS)  
 ALL OTHER METAL PARTS: .000050 MIN NICKEL PER AMS-QQ-N-290 OVER .000050 MIN COPPER PER ASTM B734 (RoHS)
10. ELECTRICAL CHARACTERISTICS:  
 NOMINAL IMPEDANCE: 50 OHMS  
 VOLTAGE RATING: 500 VRMS  
 FREQUENCY RANGE: DC TO 4 GHz
11. PROTECTIVE CAP TO BE SUPPLIED ASSEMBLED
12. WEIGHT: 13.0 GRAM

**REVISIONS**

ISSUE	CHANGES
0	ER 35792 KH 09/16/94
1	CN 36939 A KH 04/23/96
C	REVISED PER DMF304 & ER35559 TZ 11/08/11

**CUSTOMER SALES DRAWING**

THIS DRAWING, THE DESIGNS AND IDEAS EMBODIED IN THE DEVICE TO WHICH IT RELATES, AND THE METHOD OF PRODUCING THE DEVICE, ARE THE PROPERTY OF WINCHESTER ELECTRONICS CORPORATION AND SHALL NOT BE EMPLOYED, COPIED, OR DISCLOSED TO ANYONE, IN ANY MANNER WITHOUT THE CONSENT OF WINCHESTER ELECTRONICS CORPORATION.

SCALE 4:1

APPROX SURFACE AREA

CAGE CODE: 91836

REF: BOEING

JACK, PANEL, BNC

DRAWN KH	DATE 04/27/94
DESIGN JT	DATE 04/28/94
APPR.	DATE

**KINGS** by WINCHESTER ELECTRONICS  
 Winchester Electronics  
 62 Barnes Industrial  
 Road North  
 Wallingford, CT 06492

751-22-9