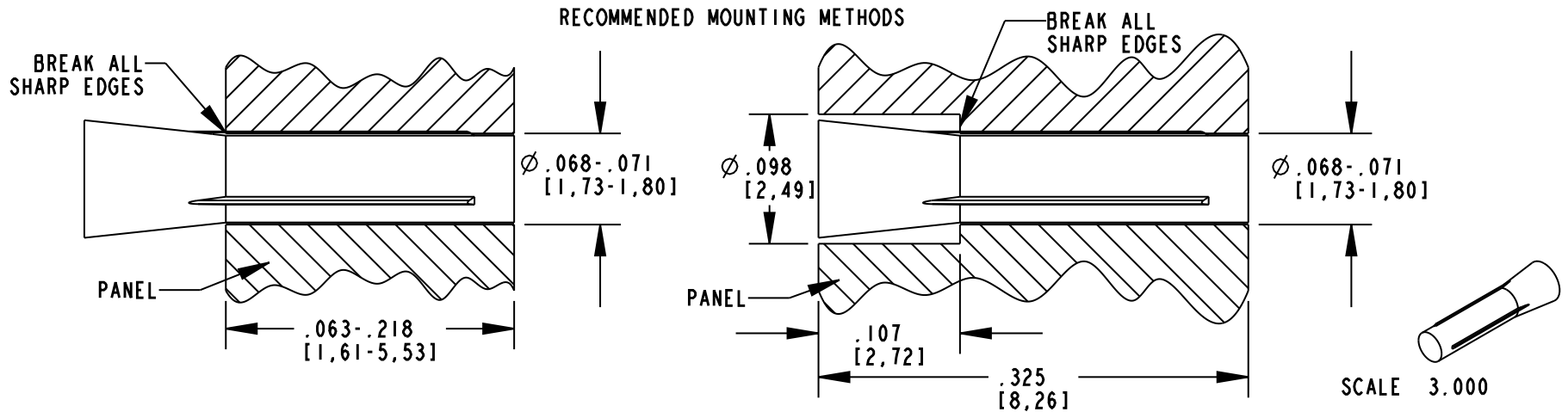
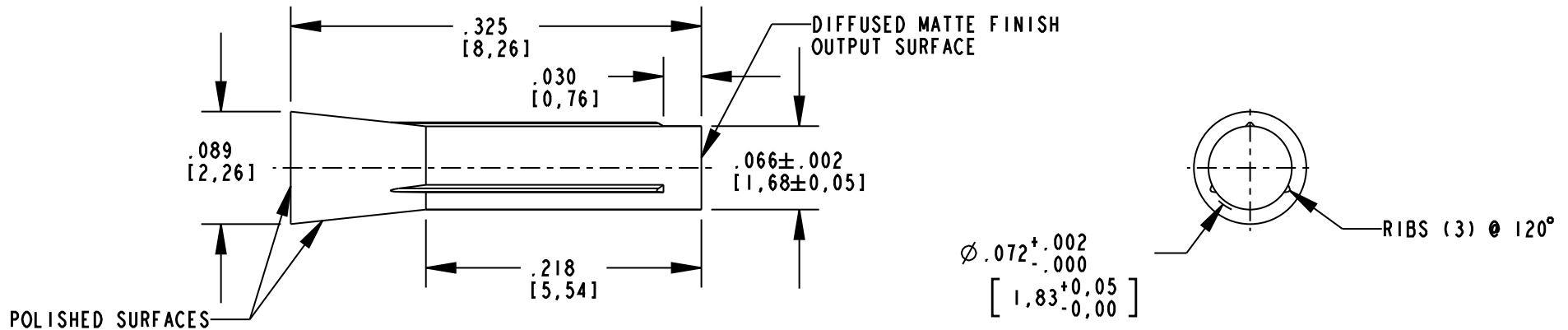


| REV | ECN NO | REVISIONS | DRN | CKD | APP | DATE |
|-----|--------|-------------|-----|-----|-----|----------|
| A | — | NEW RELEASE | AJF | KLJ | NO | 11-16-09 |



NOTES:

1. COMPONENT TO BE MOLDED IN CLEAR TRANSMISSIVE POLYCARBONATE (UL 94V-0 FLAMMABILITY).
2. COMPONENT DESIGNED TO BE PRESSED INTO PANEL.
3. STORAGE AND OPERATING TEMPERATURE: -30°C TO +100°C.
4. RECOMMENDED MOUNTING HOLE .068 [1,75] TO .071 [1,8] DIAMETER.
5. DIALIGHT PART NUMBER: 515-1027F.

RoHS COMPLIANT 515-1027F

Part Numbers with the "F" suffix ending are RoHS Compliant.
Packaging is marked with "RoHS Compliant" label or equivalent markings.

| | | |
|---|--|-----|
| THIS DRAWING AND THE CONTENTS HEREIN ARE CONFIDENTIAL AND THE SOLE PROPERTY OF DIALIGHT. REPRODUCTION OF THIS DRAWING OR CONSTRUCTION OF ANY PARTS WITHIN THIS DRAWING ARE FORBIDDEN WITHOUT THE WRITTEN CONSENT OF DIALIGHT. | | |
| SCALE: 8.000 | DRAWING NUMBER | REV |
| ALL DIM'S IN: INCHES (MM) | C-17799 | A |
| TOLERANCES: UNLESS OTHERWISE SPECIFIED | TITLE SINGLE LIGHT PIPE Ø.066, .325 LG | |
| FRACTIONS: ±1/64 | MATERIAL | |
| DECIMALS (.XX): ±.01 | - | |
| DECIMALS (.XXX): ±.005 | Dialight | |
| DECIMALS (.XXXX): ±.0005 | 1501 ROUTE 34 SOUTH FARMINGDALE, NJ 07727 | |
| ANGLES: ±1° | FSCM 83330 | |
| FINISH: - | SHEET 1 OF 1 FAMILY TABLE: | |