

PLEASE CHECK WWW.MOLEX.COM FOR LATEST PART INFORMATION

Part Number: [0442450010](#)
Status: **Active**
Description: 1.27mm (.050") Pitch SliderZ™ Board-to-Board Connector, Hermaphroditic

Documents:

[3D Model](#) [Product Specification PS-44245-999 \(PDF\)](#)
[Drawing \(PDF\)](#) [RoHS Certificate of Compliance \(PDF\)](#)
[Packaging Specification \(PDF\)](#)

General

Product Family PCB Headers
 Series [44245](#)
 Application Board-to-Board
 Product Name SliderZ™

Physical

Breakaway No
 Circuits (Loaded) 10
 Circuits (maximum) 10
 Durability (mating cycles max) 1,000
 First Mate / Last Break No
 Glow-Wire Compliant No
 Guide to Mating Part No
 Keying to Mating Part None
 Lock to Mating Part No
 Material - Metal High Performance Alloy (HPA)
 Material - Plating Mating Gold
 Material - Plating Termination Tin
 Number of Rows 2
 Orientation Vertical
 PC Tail Length (in) 0.120 In
 PC Tail Length (mm) 3.05 mm
 PCB Locator Yes
 PCB Retention Yes
 PCB Thickness Recommended (in) 0.056 In
 PCB Thickness Recommended (mm) 1.42 mm
 Packaging Type Tray
 Pitch - Mating Interface (in) 0.050 In
 Pitch - Mating Interface (mm) 1.27 mm
 Pitch - Term. Interface (in) 0.050 In
 Pitch - Term. Interface (mm) 1.27 mm
 Plating min: Mating (µin) 30
 Plating min: Mating (µm) 0.75
 Plating min: Termination (µin) 120
 Plating min: Termination (µm) 3
 Polarized to Mating Part Yes
 Polarized to PCB No
 Shrouded Fully
 Stackable No
 Surface Mount Compatible (SMC) No
 Temperature Range - Operating -40°C to +85°C
 Termination Interface: Style Through Hole

Electrical

Current - Maximum per Contact 1.5A
 Voltage - Maximum 30V AC (RMS)

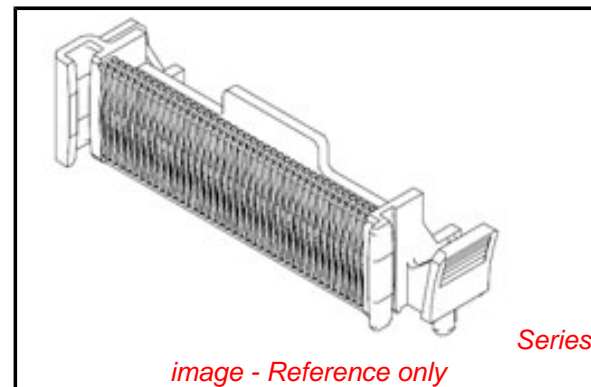


image - Reference only

EU RoHS

**ELV and RoHS
 Compliant**
REACH SVHC
 Not Reviewed
**Halogen-Free
 Status**
Not Reviewed

China RoHS



**Need more information on product
 environmental compliance?**

Email productcompliance@molex.com
 For a multiple part number RoHS Certificate of
 Compliance, [click here](#)

Please visit the [Contact Us](#) section for any
 non-product compliance questions.

Search Parts in this Series

[44245Series](#)

Solder Process Data

Lead-free Process Capability

Wave Capable (TH only)

Material Info**Reference - Drawing Numbers**

Packaging Specification

PK-44245-001, PK-44783-001

Product Specification

PS-44245-999

Sales Drawing

SD-44245-002, SD-44783-001

Test Summary

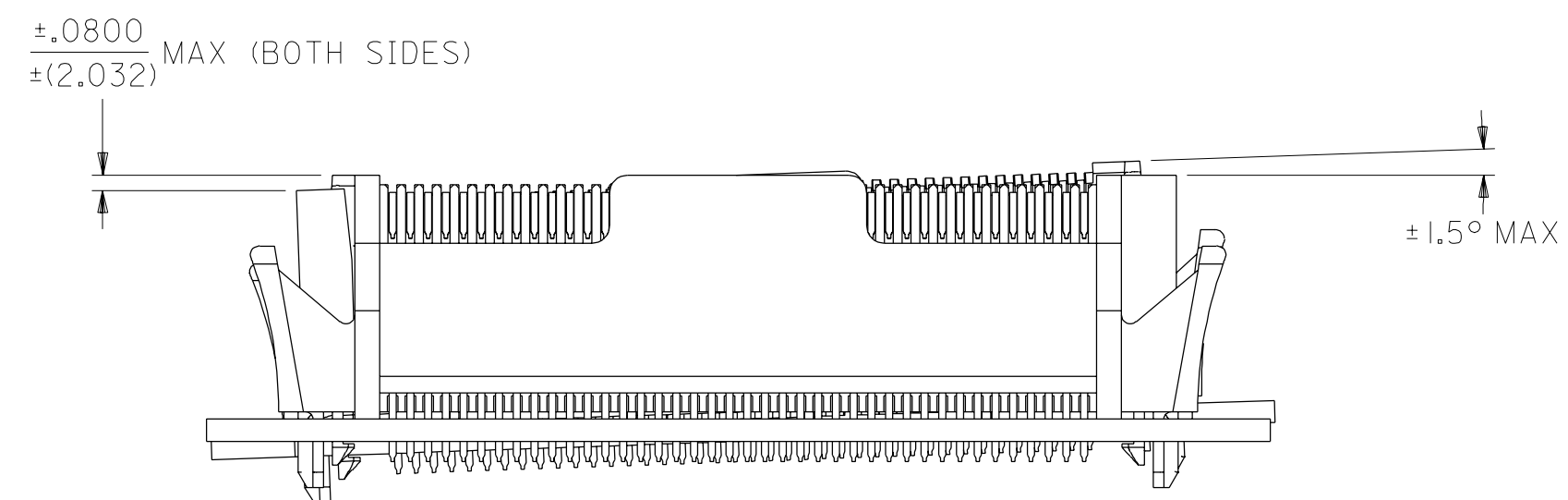
TS-44245-999

This document was generated on 06/07/2010

PLEASE CHECK WWW.MOLEX.COM FOR LATEST PART INFORMATION

NOTES:

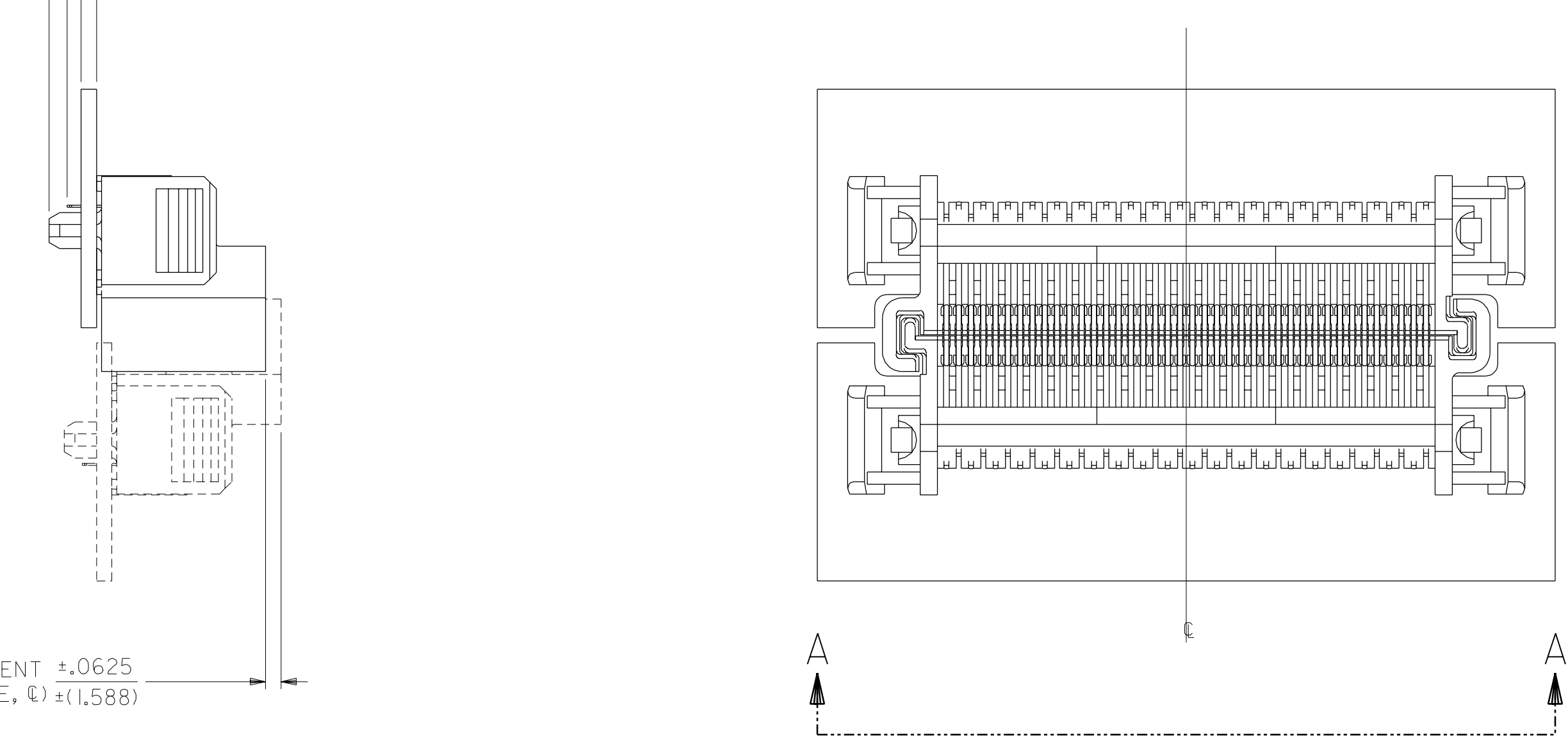
- MATERIAL:
HOUSING: GLASS FILLED POLYESTER, UL94V-0; COLOR = BLACK
CONTACTS: COPPER ALLOY
- FINISH: .000030/(0.00076) MIN. GOLD ON CONTACTS, .000080/(0.00203) MIN. TIN ON SOLDER TAILS, OVER .000050/(0.00127) MIN. NICKEL OVERALL.
* THE PRIMARY SHIPPING CARTON WILL BE LABELED "COMPLIANT TO ROHS DIRECTIVE 2002/95/EC AND ELV ANNEX I OF DIRECTIVE 2000/53/EC" CARTONS WITHOUT THIS LABEL MAY CONTAIN PRODUCT WITH TIN-LEAD IN THE PC TAIL AREA
- PRODUCT SPECIFICATION: PS-44245-999.
- THE HOLES FOR THE BOARD LOCKS SHALL NOT BE PLATED THRU.
- COPPER TRACES NOT RECOMMENDED BENEATH THE STAND-OFF'S.



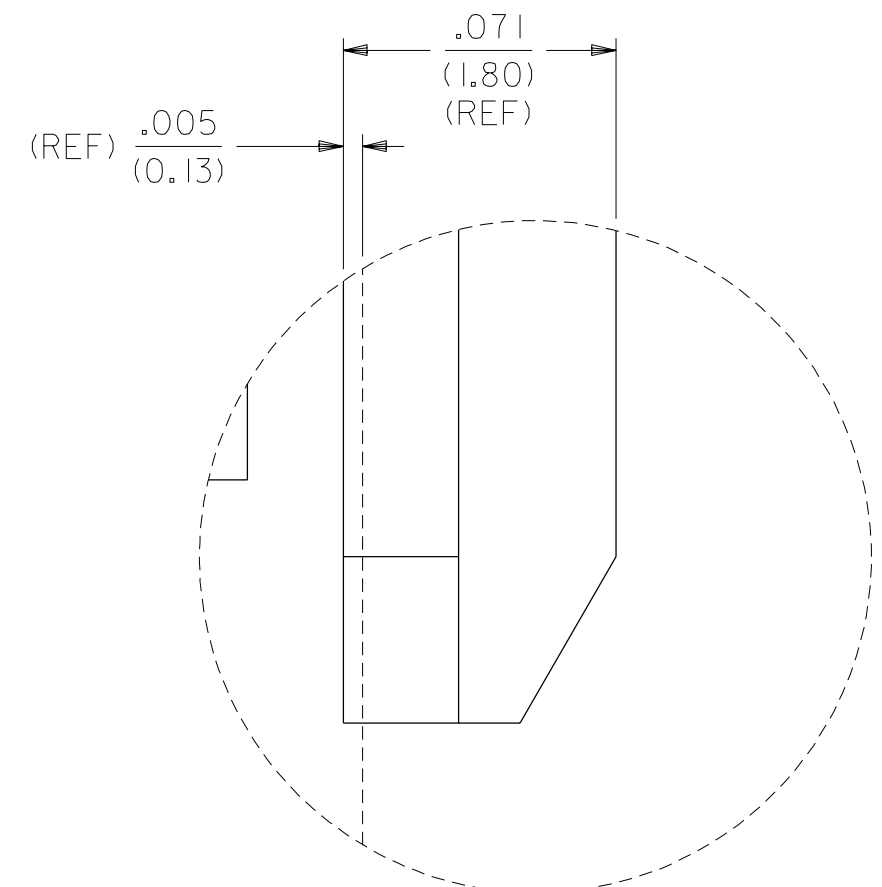
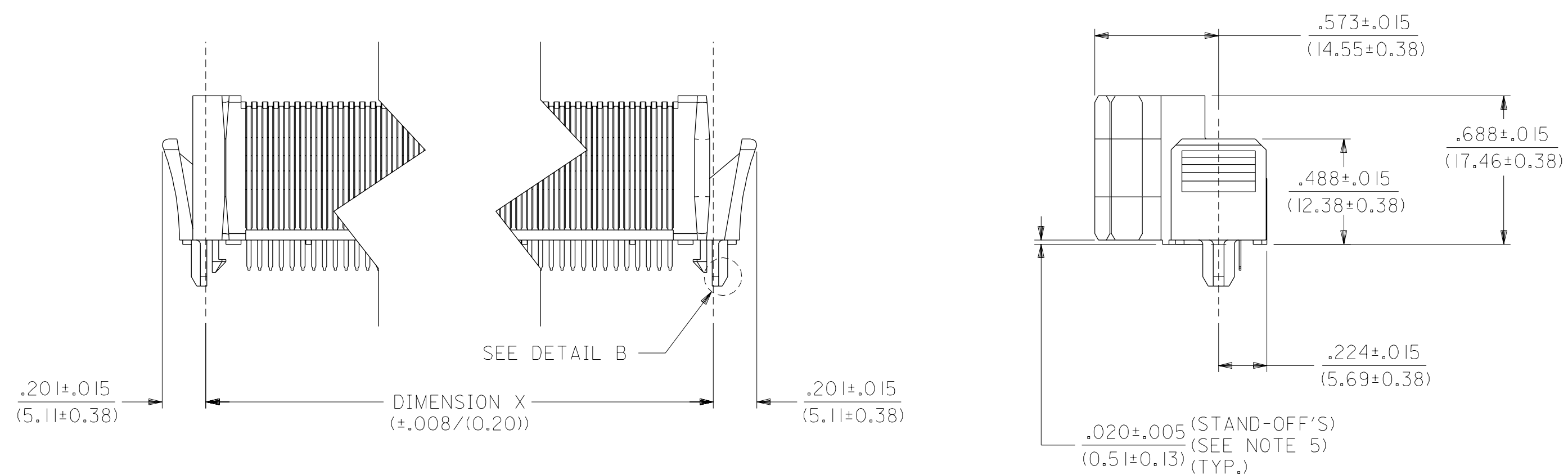
VIEW A-A

(ALLOWANCE FOR ANGULAR MISALIGNMENT)
(BOTH LIMIT CONDITIONS MUST BE MET)

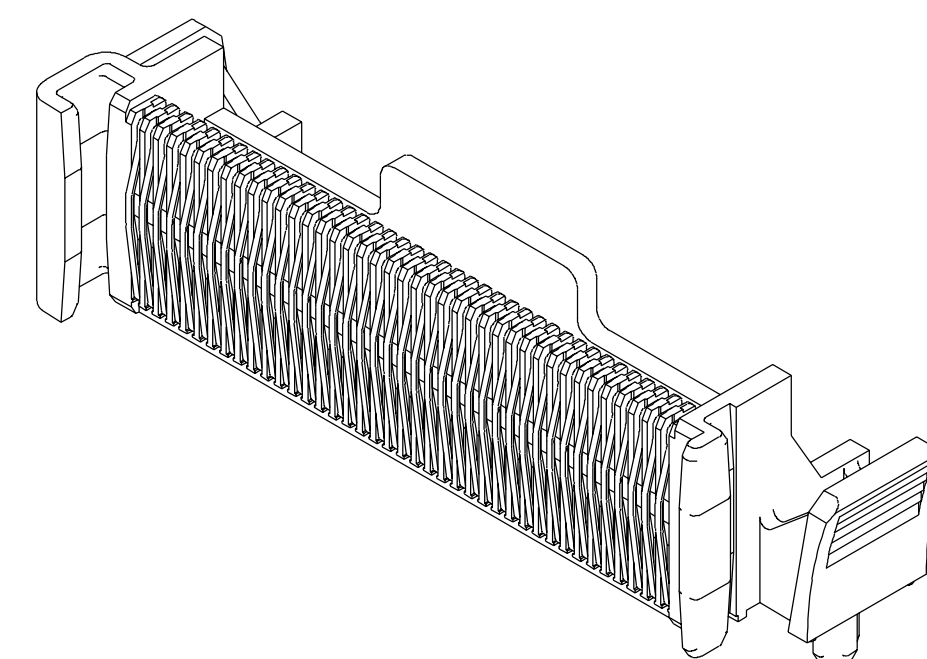
- .056-.065 (P.C.B. THICKNESS)
(1.422-1.651)
- .193±.015 (P.C.B. LOCATION/LOCKING PEG)
(4.91±0.38) (2-PL)
- .120±.020 (SOLDER TAIL LENGTH)
(3.05±0.51) (TYP)



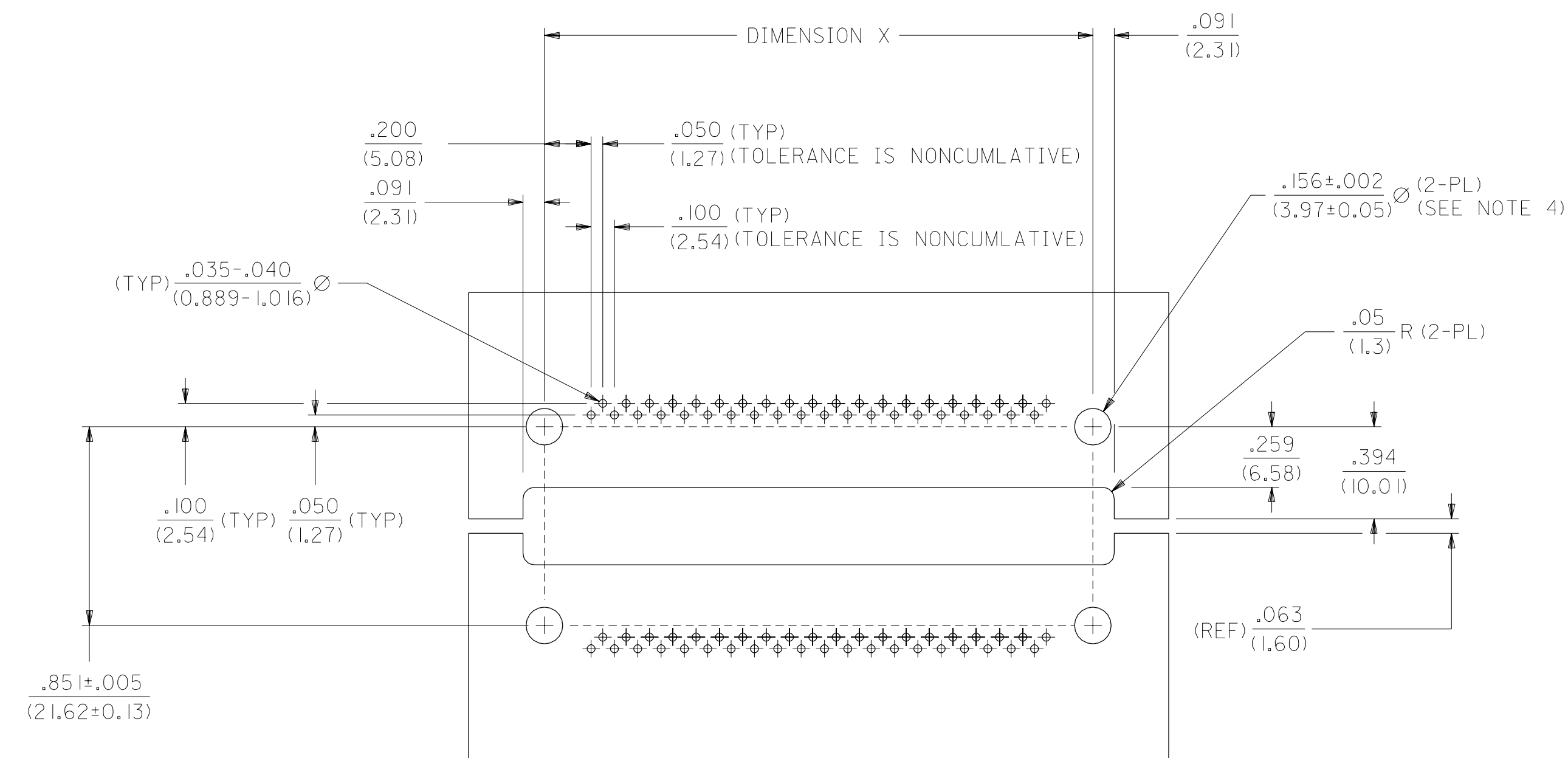
MAXIMUM LINEAR MISALIGNMENT ±.0625
(TAKE THIS MEASUREMENT AT THE CENTERLINE, C) ±(1.588)



DETAIL B
(SCALE 20:1)



ISOMETRIC PROJECTION OF 442450040
(FORTY CIRCUITS)



RECOMMENDED LAYOUT FOR P.C.B.'S
(FORTY CIRCUIT CONFIGURATION IS PROTRAYED)

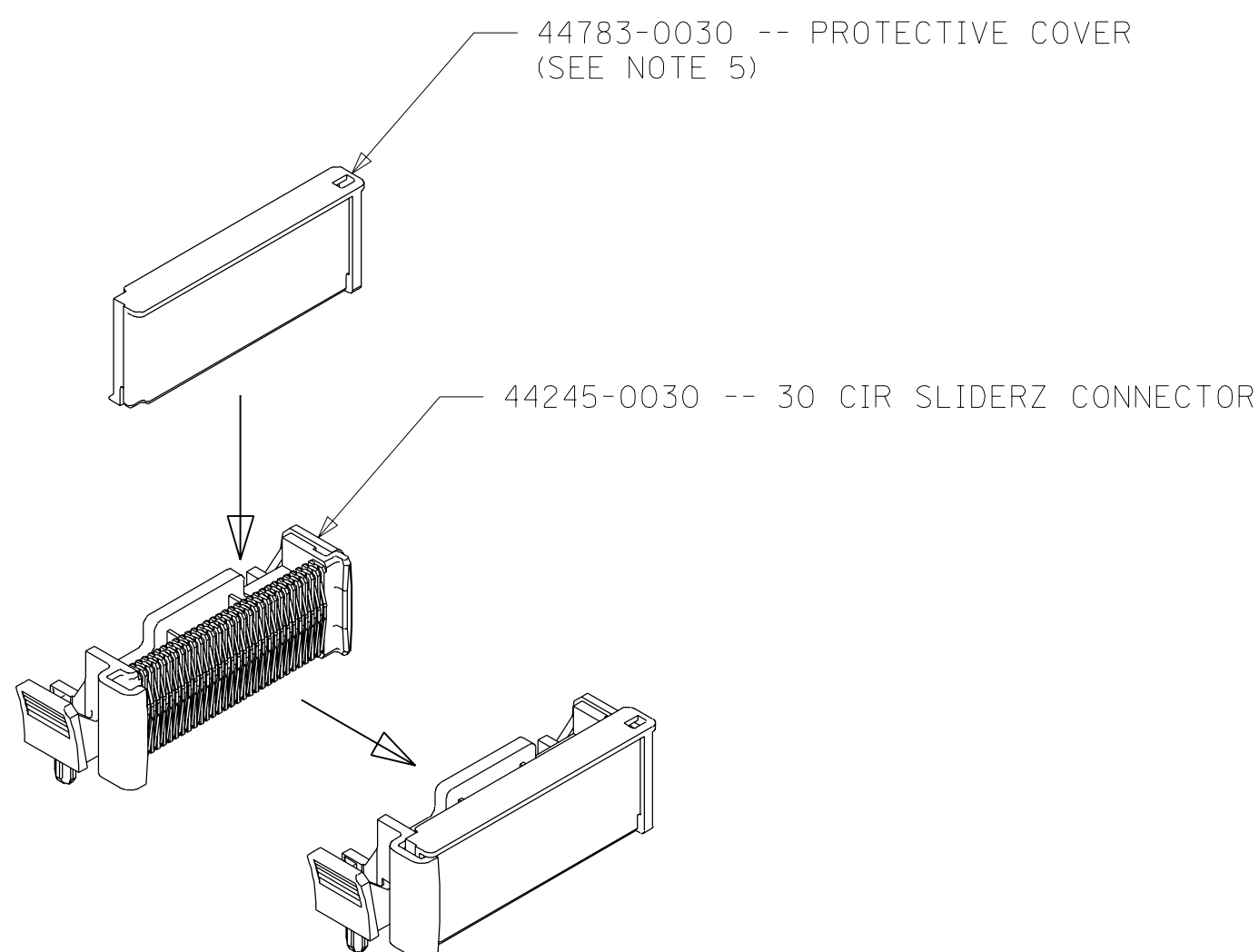
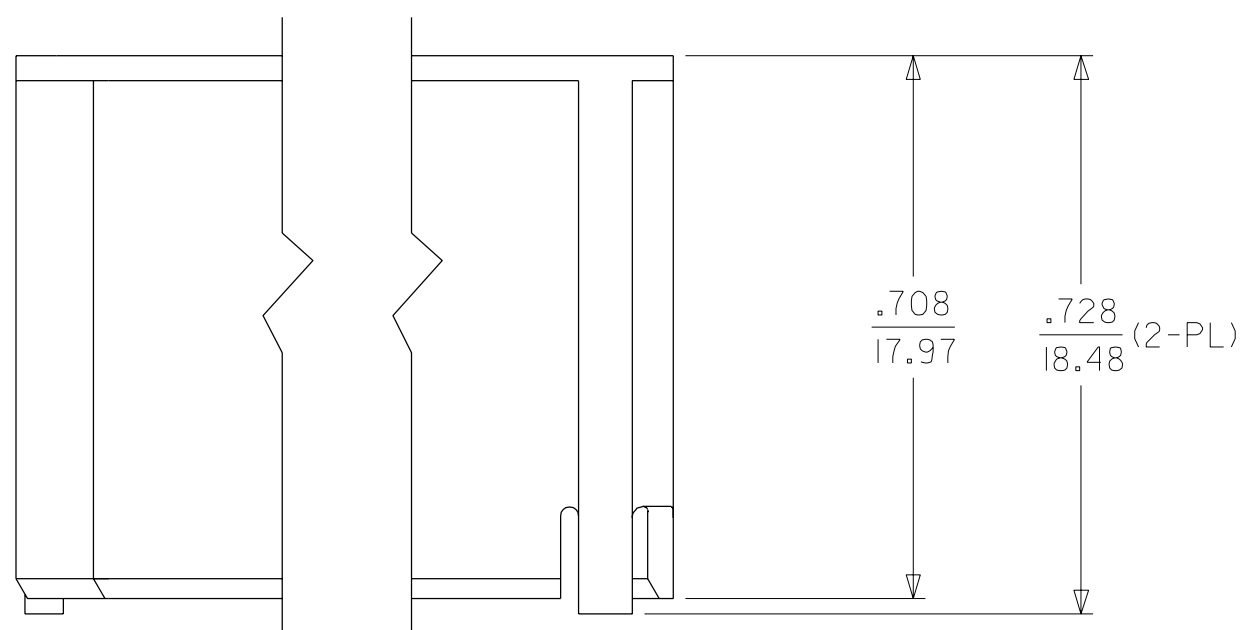
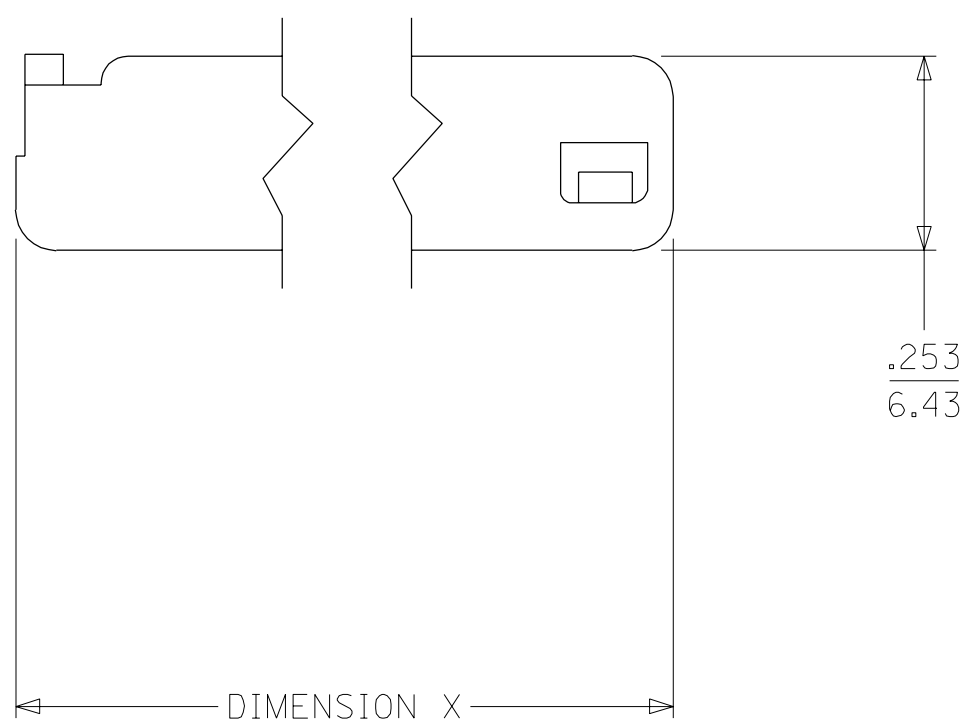
MATERIAL NUMBER	CIRCUIT SIZE	DIMENSION X
442450010	10	.850/(21.59)
442450020	20	1.350/(34.29)
442450030	30	1.850/(46.99)
442450040	40	2.350/(59.69)
442450050	50	2.850/(72.39)
442450060	60	3.350/(85.09)

REVISED C	EC NO. UCP2004-2332 DRWN:PELOZA 04/05/21 CHK:PELOZA 04/05/21 APPR:COMERCI 04/05/21	QUALITY SYMBOLS MAJOR = 0 CRITICAL = 0	GENERAL TOLERANCES: (UNLESS SPECIFIED)		SCALE 2 : 1	DESIGN UNITS <input type="checkbox"/> mm <input checked="" type="checkbox"/> INCH	THIRD ANGLE PROJECTION <input type="checkbox"/> mm <input checked="" type="checkbox"/> INCH ONLY	SHT REV REVISE ON CAD ONLY				
			4 PLACES ±0.--- ±.---	3 PLACES ±0.--- ±.003	2 PLACES ±0.08 ±.010	1 PLACE ±0.25 ±.---			DRAWN BY & DATE PELOZA 99/01/25	CHECKED BY & DATE PELOZA 99/01/25	TITLE: PASS THRU CONNECTOR ASSEMBLY HERMAPHRODITIC MATE	
			ANGULAR: ±1/2 °						APPROVED BY & DATE COMERCI 99/01/25		MATERIAL NO. SEE CHART	
			DRAFT WHERE APPLICABLE MUST REMAIN WITHIN DIMENSIONS						CAD FILENAME		DRAWING NO. SD -44245-002	
THIS DRAWING CONTAINS INFORMATION THAT IS PROPRIETARY TO MOLEX INCORPORATED AND SHOULD NOT BE USED WITHOUT WRITTEN PERMISSION.								SHEET NO. 1 OF 1	SIZE D			

NOTES:

1. MATERIAL: 66 NYLON, COLOR = BLACK.
2. FINISH: NOT APPLICABLE.
3. PRODUCT SPECIFICATION: NOT APPLICABLE.
4. DIMENSIONS AND FEATURES PLACED ACROSS A CENTERLINE TO BE SYMMETRIC ABOUT THAT CENTERLINE TO WITHIN .004"/0.10mm TOTAL.
5. THE PROTECTIVE COVER IS CAREFULLY PUSHED ONTO THE SLIDERZ CONNECTOR UNTIL THE LATCHING MEMBERS ENGAGE, WHICH IS SIGNALLED BY A "SNAP."

MATERIAL NUMBER	DIMENSION X	DESCRIPTION
447830010	.856"/21.74mm	PROTECTIVE COVER FOR THE 10 CIRCUIT SLIDERZ
447830020	1.356"/34.44mm	CONTACT FACTORY FOR AVAILABILITY -- PROTECTIVE COVER FOR THE 20 CIRCUIT SLIDERZ
447830030	1.856"/47.14mm	CONTACT FACTORY FOR AVAILABILITY -- PROTECTIVE COVER FOR THE 30 CIRCUIT SLIDERZ
447830040	2.356"/59.84mm	CONTACT FACTORY FOR AVAILABILITY -- PROTECTIVE COVER FOR THE 40 CIRCUIT SLIDERZ
447830050	2.856"/72.54mm	CONTACT FACTORY FOR AVAILABILITY -- PROTECTIVE COVER FOR THE 50 CIRCUIT SLIDERZ
447830060	3.356"/85.24mm	CONTACT FACTORY FOR AVAILABILITY -- PROTECTIVE COVER FOR THE 60 CIRCUIT SLIDERZ



ISOMETRIC PROJECTION OF 44783 AND ITS APPLICATION (NO SCALE)

REVISED B	EC NO. UCP2003-0626 DRWN:PELOZA 02/10/11 CHK:PELOZA 02/10/11 APPR:COMERCI 02/10/11	DESCRIPTION	QUALITY SYMBOLS	GENERAL TOLERANCES: (UNLESS SPECIFIED)		SCALE 4 : 1	DESIGN UNITS <input type="checkbox"/> mm <input checked="" type="checkbox"/> INCH	THIRD ANGLE PROJECTION <input checked="" type="checkbox"/>	DIMENSIONS: <input type="checkbox"/> mm <input checked="" type="checkbox"/> INCH <input type="checkbox"/> mm ONLY		SHT	REV
			MAJOR $\nabla=0$	mm	INCH	DRAWN BY & DATE		TITLE: PROTECTIVE COVER FOR SLIDERZ		MATERIAL NO.	DRAWING NO.	SHEET NO.
			CRITICAL $\nabla C=0$	4 PLACES $\pm 0.---$	$\pm .---$	PELOZA 00/08/16		MOLEX INCORPORATED				
			REV	1 PLACE ± 0.38	$\pm .---$	CHECKED BY & DATE		SEE CHART		SD -44783-001	1 OF 1	
			ANGULAR: $\pm 1^\circ$	DRAFT WHERE APPLICABLE MUST REMAIN WITHIN DIMENSIONS		CAD FILENAME		THIS DRAWING CONTAINS INFORMATION THAT IS PROPRIETARY TO MOLEX INCORPORATED AND SHOULD NOT BE USED WITHOUT WRITTEN PERMISSION.		SIZE C		