

NF3000A-YX Series

3 Phase & 3 lines 250VAC

Inquiry

Resin case Type



UL1283 (file No.E102708)
EN60939-2 (file No.R50031314)

Application

Inverter/UPS/Machining system etc.

Specifications

Part No.	Rated Current	Weight	
NF3006A-YX	6A	0.5Kg	fig1
NF3010A-YX	10A	0.6Kg	
NF3020A-YX	20A	0.7Kg	fig2
NF3030A-YX	30A	0.7Kg	fig3
NF3040A-YX	40A	1.4Kg	fig4
NF3050A-YX	50A	1.6Kg	
NF3060A-YX	60A	1.8Kg	
Rated Voltage	250VAC		
Leakage Current	1.5mA		
Ambient temp.	-20 up to 50 Deg.C		

fig1 (6,10A)

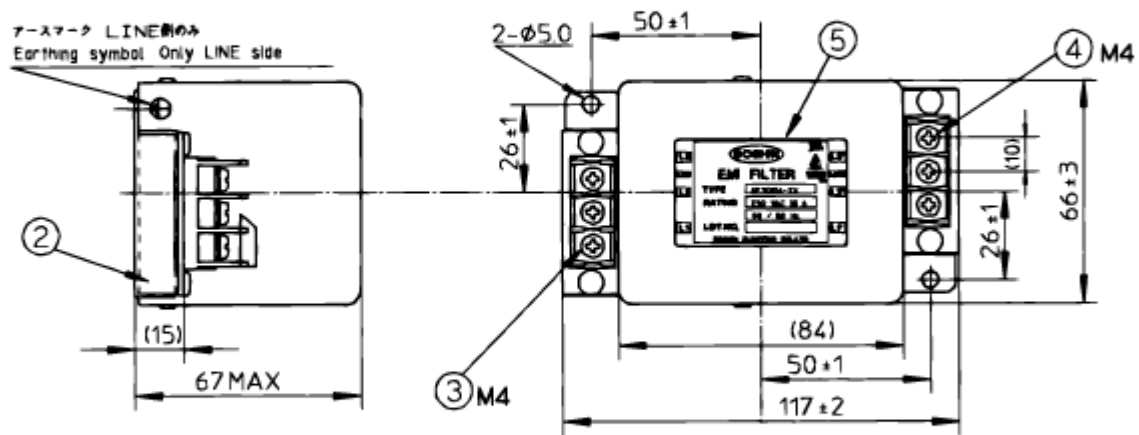
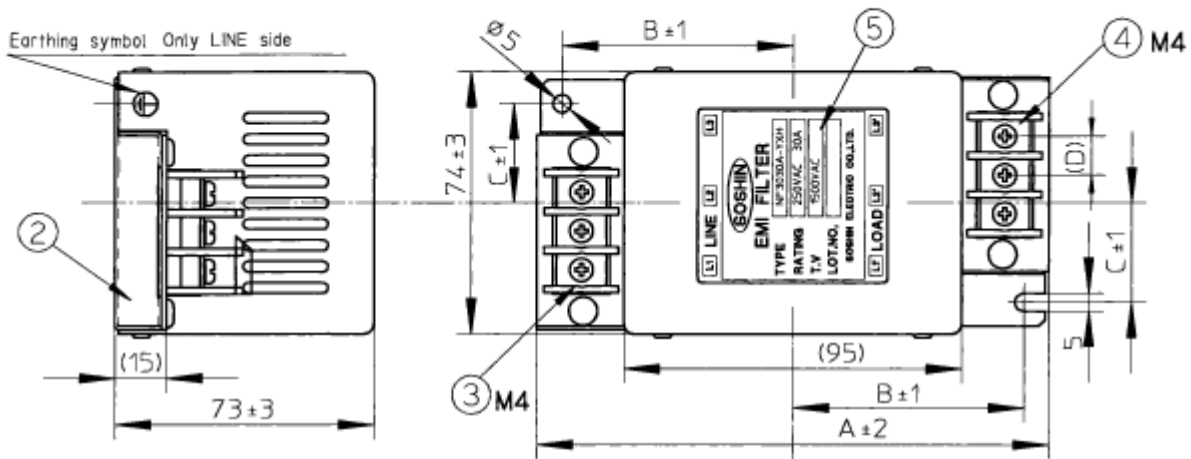
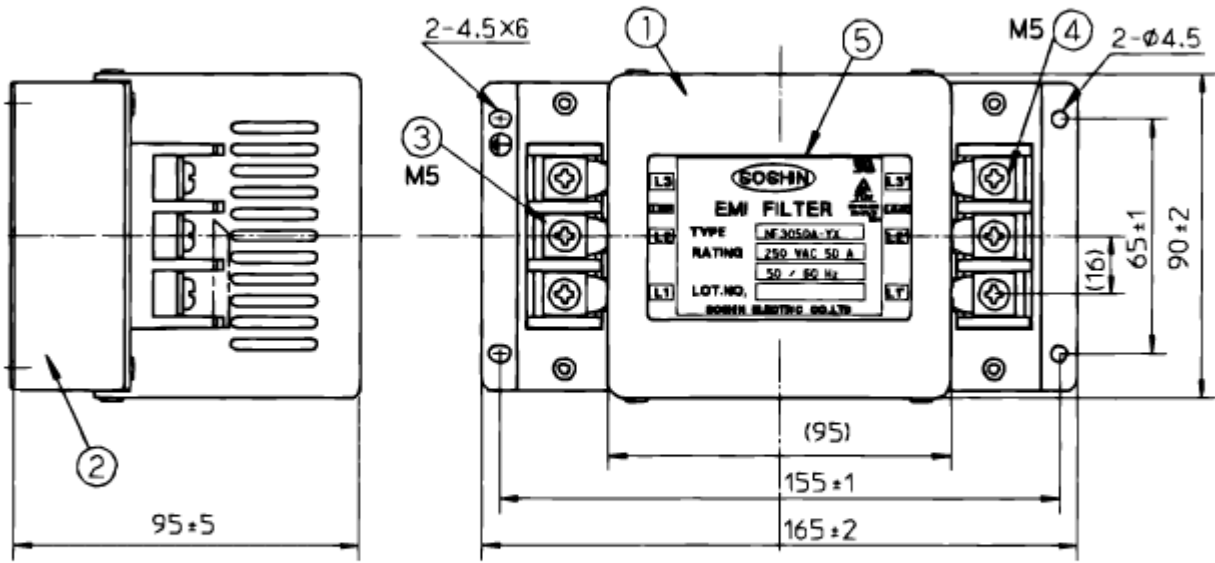


fig2,3 (20,30A)

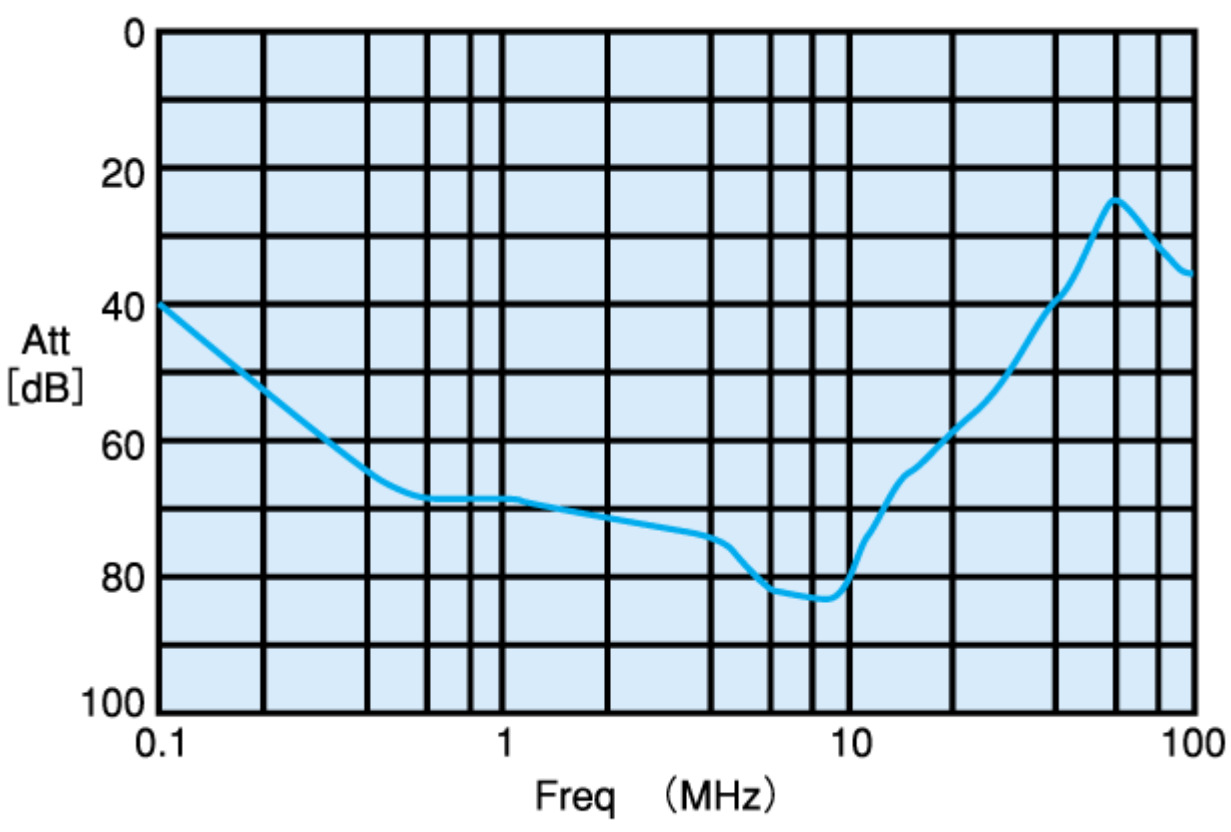


	A	B	C	D
fig2	128	59	28	10
fig3	144	65	28	11

fig4 (40,50,60A)



Frequency Data



Circuit Diagram

